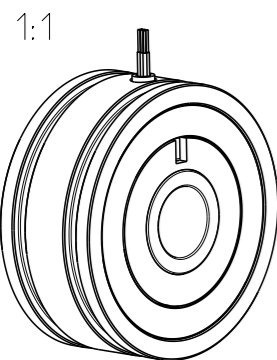
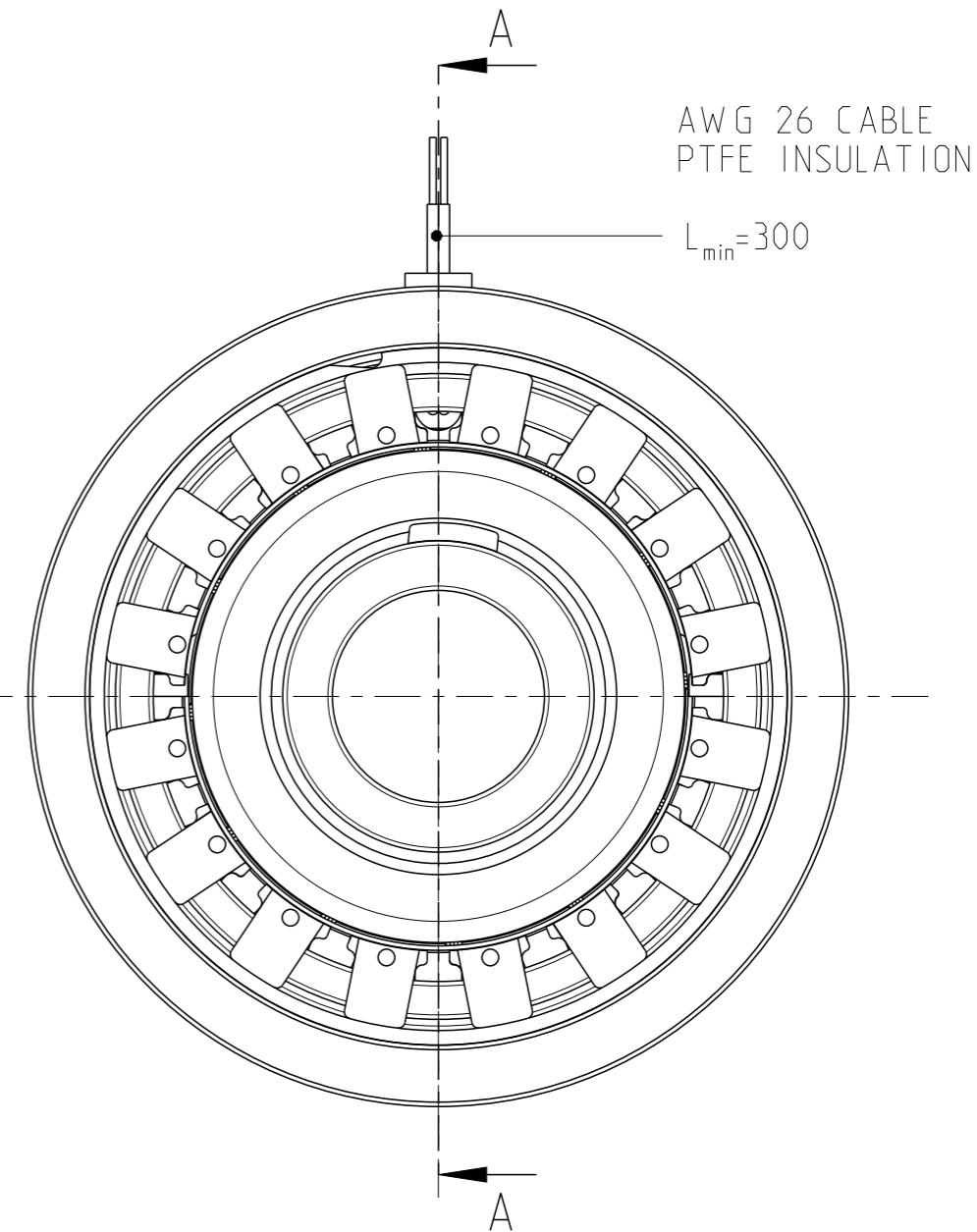
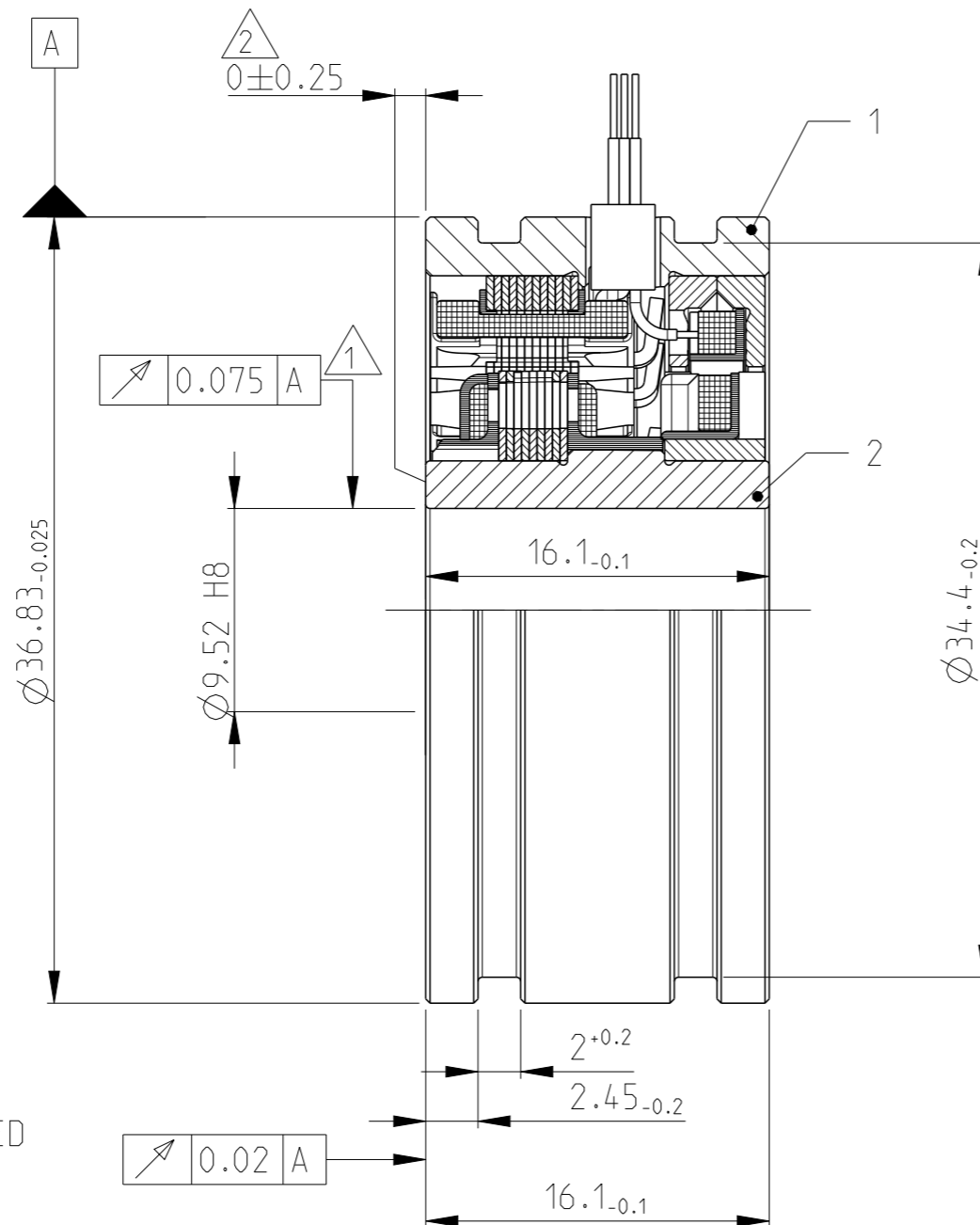


SIGNAL	COLOR
S1	RED
S2	YELLOW
S3	BLACK
S4	BLUE
R1	RED / WHITE
R2	BLACK / WHITE

9.52 H8 +0.022
0

P	LTR	DESCRIPTION	DATE	DWN	APVD
	A1	New Drawing	05DEZ2005	Kr	An
	C1	ECR-06-011981	18MAY2006	Kr	An
	C2	R2 CABLE COLOR DESCRIPTION CHANGE	17NOV2015	ER	PL
	C3	REVISED PER ECR-22-143117	22JUN2022	GK	HB

A-A

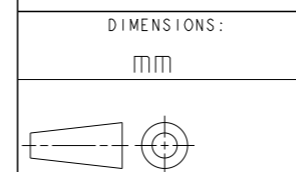


1 TOTAL RUNOUT WHEN INSTALLED

2 AXIAL OFFSET

REV	DESCRIPTION	DATE	BY
1	1-1824833-0	ROT-D1001-B1	2
1	1-1824762-0	STATOR-D1 COMPLETE	1
1393047-1	PARTNUMBER	DESCRIPTION	ITEM NO
-	REVISION OF EACH ASSY NO. (WHEN BLANK, USE DWG. REVISION)		
PARTS LIST			

THIS DRAWING IS A CONTROLLED DOCUMENT.



MATERIAL
-

DIMENSIONS: mm
TOLERANCES UNLESS OTHERWISE SPECIFIED:
0 PLC ±
1 PLC ±
2 PLC ±
3 PLC ±
4 PLC ±
ANGLES ±1°
FINISH -

DWN Kraus 24NOV2005
CHK -
APVD Andrae 05DEZ2005
PRODUCT SPEC -
APPLICATION SPEC -
WEIGHT -
CUSTOMER DRAWING

STE TE Connectivity

NAME RESOLVER SIZE 15

SIZE A3	CAGE CODE 00779	DRAWING NO C-1393047-1	RESTRICTED TO -
SCALE 3:1		SHEET 1 OF 1	REV C3