

6

5

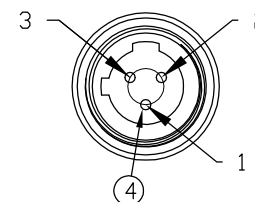
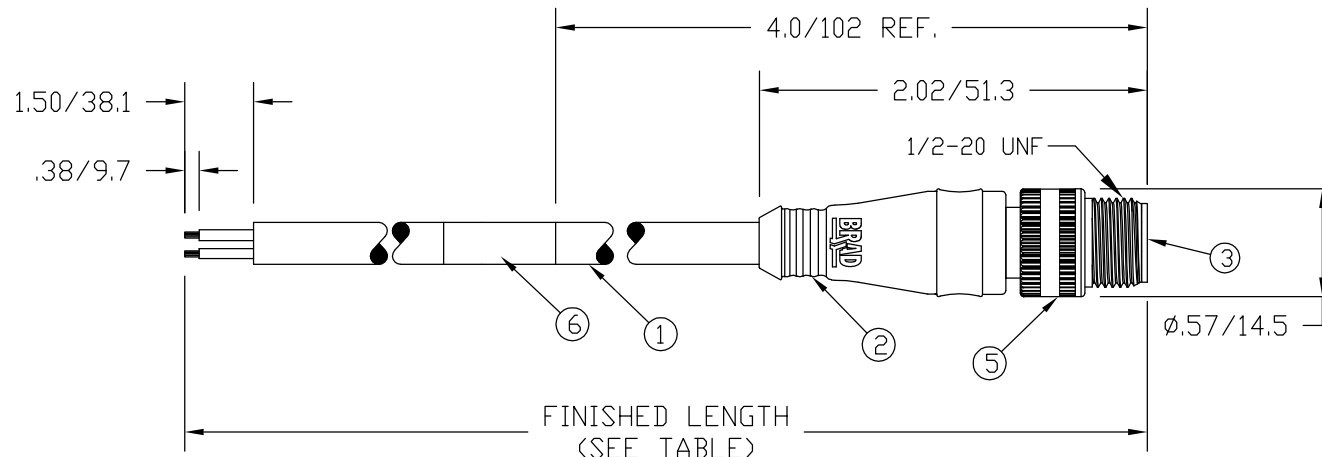
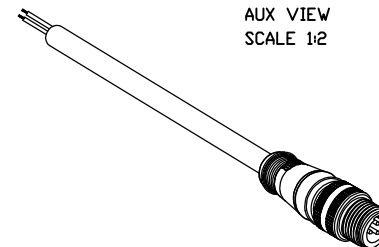
4

3

2

1

MATERIAL NUMBER	ENGINEERING NUMBER	FINISHED LENGTH
120072-0302	703006D02F060	6.00' +3.50' -0 [1.8M +88.9 -0]
120072-0305	703006D02F120	12.00' +6.50' -0 [3.7M +165.1 -0]
120072-0308	703006D02F200	20.00' +6.50' -0 [6.1M +165.1 -0]



MALE FACE VIEW

1	GREEN-GND
2	RED-BLACK
3	RED-WHITE

WIRING DIAGRAM

NOTES:

- 1) MATERIALS: SEE TABLE
- 2) FINISHES: SEE TABLE
- 3) CABLE: #22/3 SHIELDED PVC
- 4) ELECTRICAL DATA:
MAX. VOLTAGE: 250 VAC/VDC
MAX. CURRENT 4 AMPS
- 5) ENVIRONMENTAL:
PROTECTION IP67
TEMPERATURE RANGE: -20°C TO 105°C
- 6) WRAP LABEL IS MARKED WITH P/N, DATE CODE,
VOLTAGE & AMPERAGE.
- 7) ASSEMBLY IS RoHS COMPLIANT.

ITEM	QTY.	DESCRIPTION	MATERIAL	FINISH
6	1	LABEL	MYLAR	BLACK/YELLOW
5	1	COUPLER	ZINC DIE CAST	BLACK E-COAT
4	3	PIN CONTACT	COPPER ALLOY	GOLD OVER NICKEL
3	1	INSERT	NYLON	BLACK
2	1	OVERMOLD	PVC	YELLOW
1	1	#22/3 CABLE W/BRAID SHIELD	PVC JACKET	YELLOW

RELEASED DRAWING EC NO: WEL2010-0017 DRWN: LHARTMAN 7/17/09 CHKD: BWOODMAN 09/07/29 APPR: JFMURPHY 2009/08/10	QUALITY SYMBOLS	GENERAL TOLERANCES (UNLESS SPECIFIED)	DIMENSION STYLE	SCALE	DESIGN UNITS	THIRD ANGLE PROJECTION
	▽=0 ∇=0	mm INCH	IN/MM	1:1	INCH	
		4 PLACES ±----	DRAWN BY DATE	TITLE		
		3 PLACES ±----	LHARTMAN 2009/07/17	MICRO-CHANGE CORDSET		
		2 PLACES ±---- ±.01	CHECKED BY DATE	3P MA ST DUAL KEY		
		1 PLACE ±0.3 ±----	BWOODMAN 2009/07/29	BRAID SHIELD PVC CABLE		
		ANGULAR ±----°	APPROVED BY DATE	MOLEX INCORPORATED		
		DRAFT WHERE APPLICABLE MUST REMAIN WITHIN DIMENSIONS	MATERIAL NO.	DOCUMENT NO.		SHEET NO.
			SEE TABLE	SD-120072-005		1 OF 1
			SIZE A	THIS DRAWING CONTAINS INFORMATION THAT IS PROPRIETARY TO MOLEX INCORPORATED AND SHOULD NOT BE USED WITHOUT WRITTEN PERMISSION		

6

5

4

3

2

1