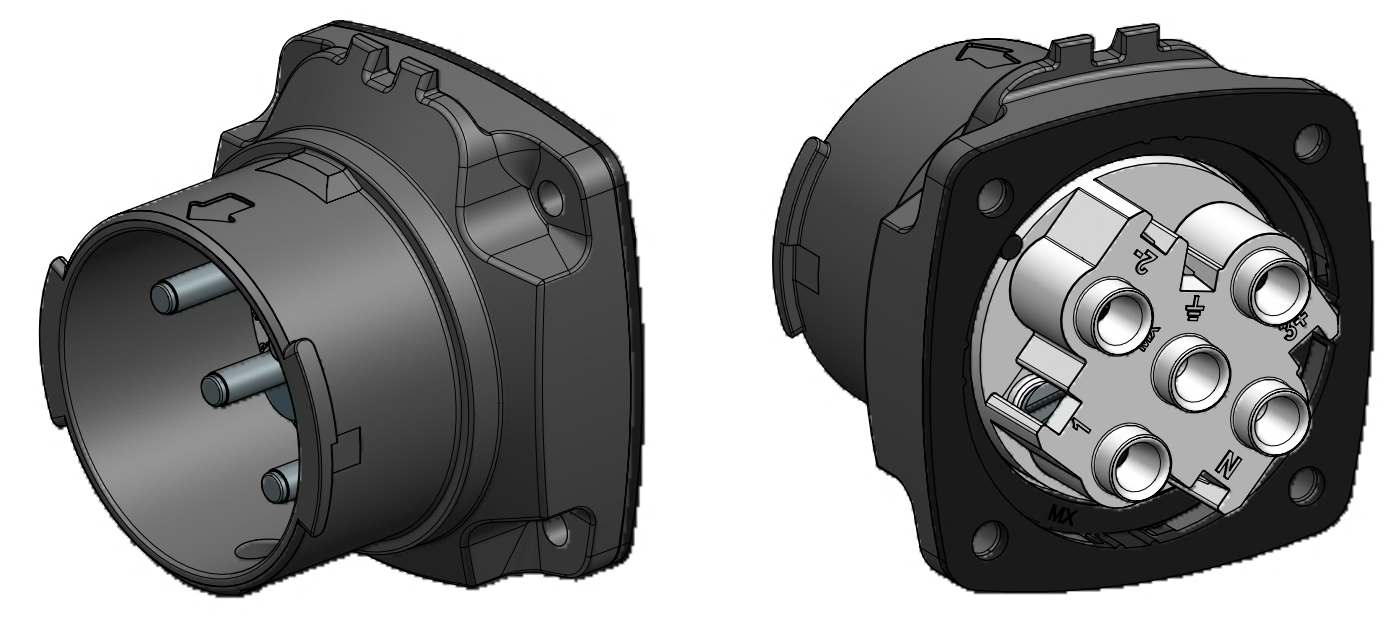
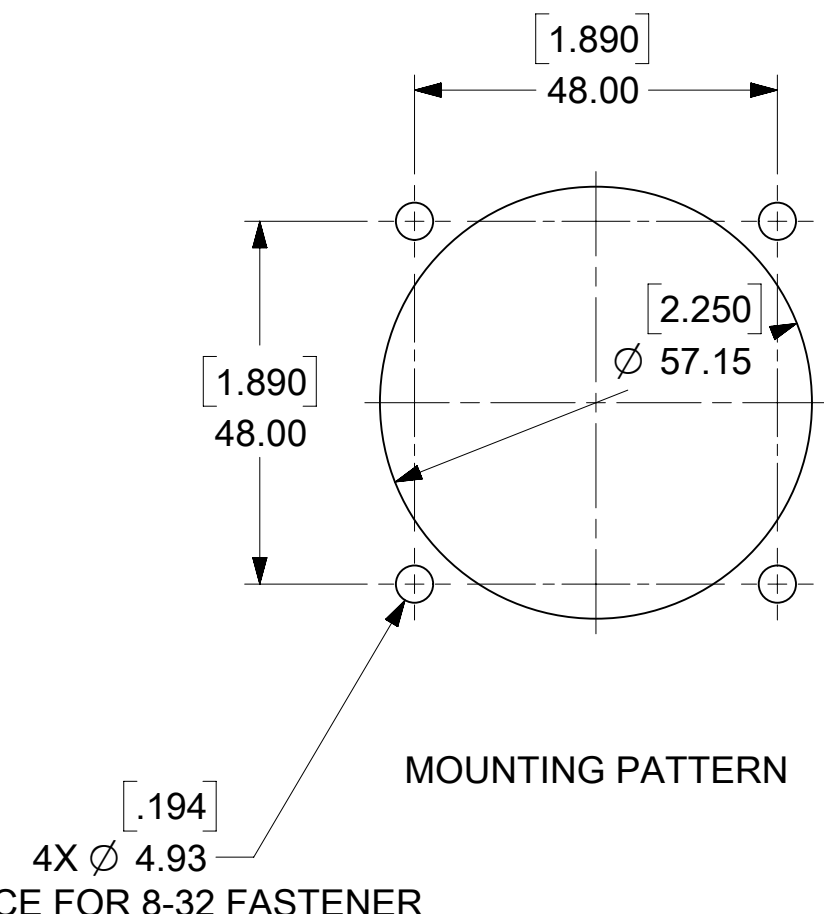
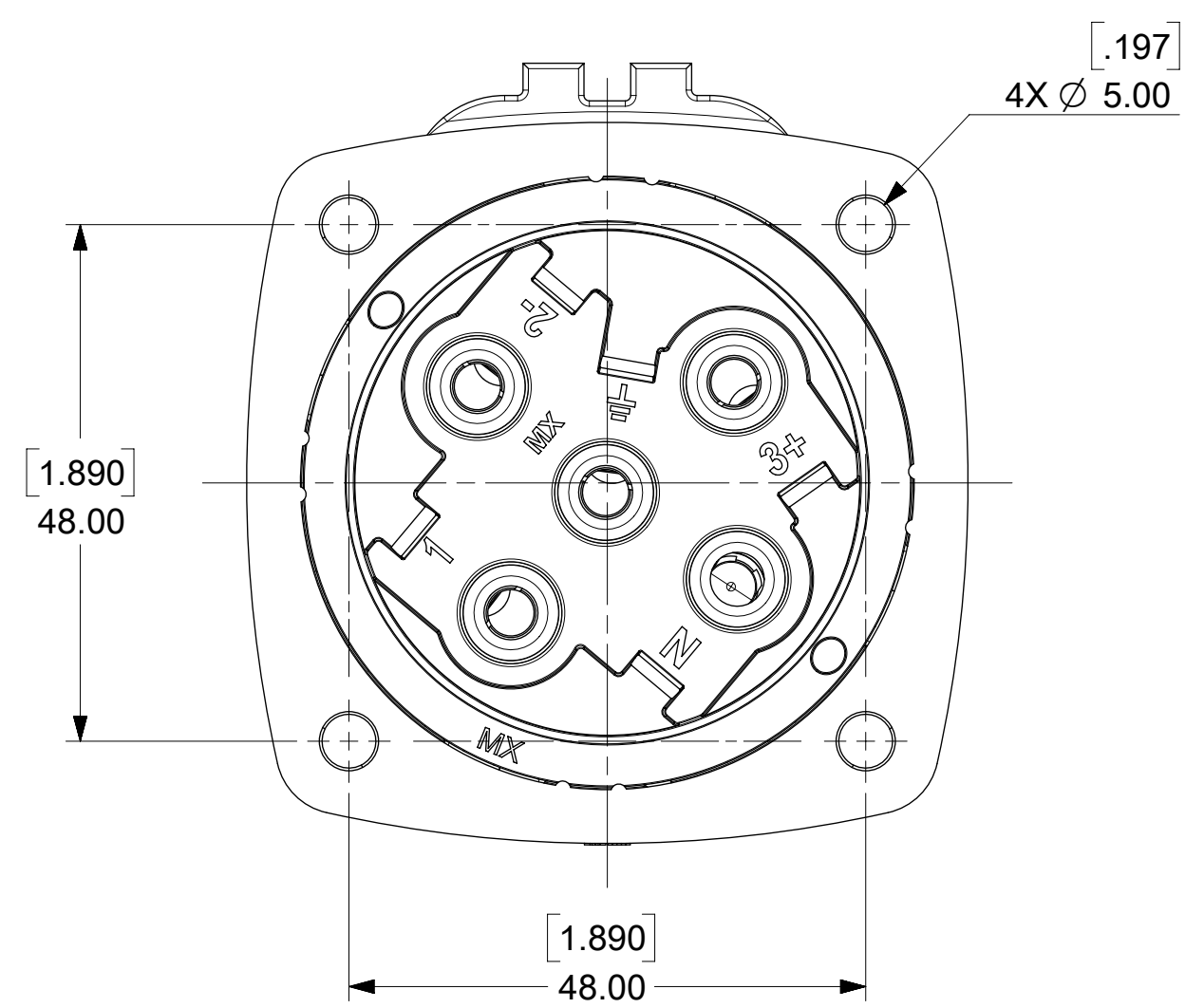
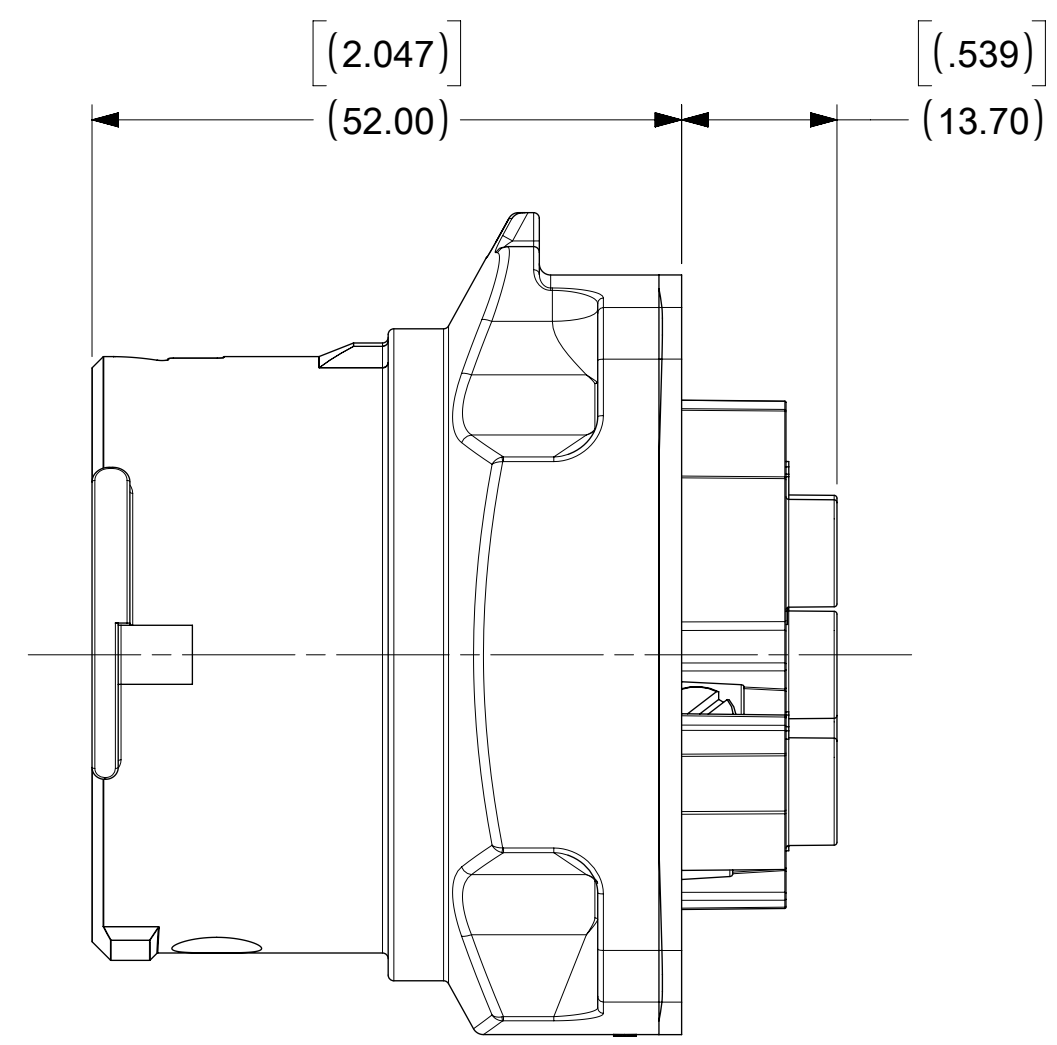
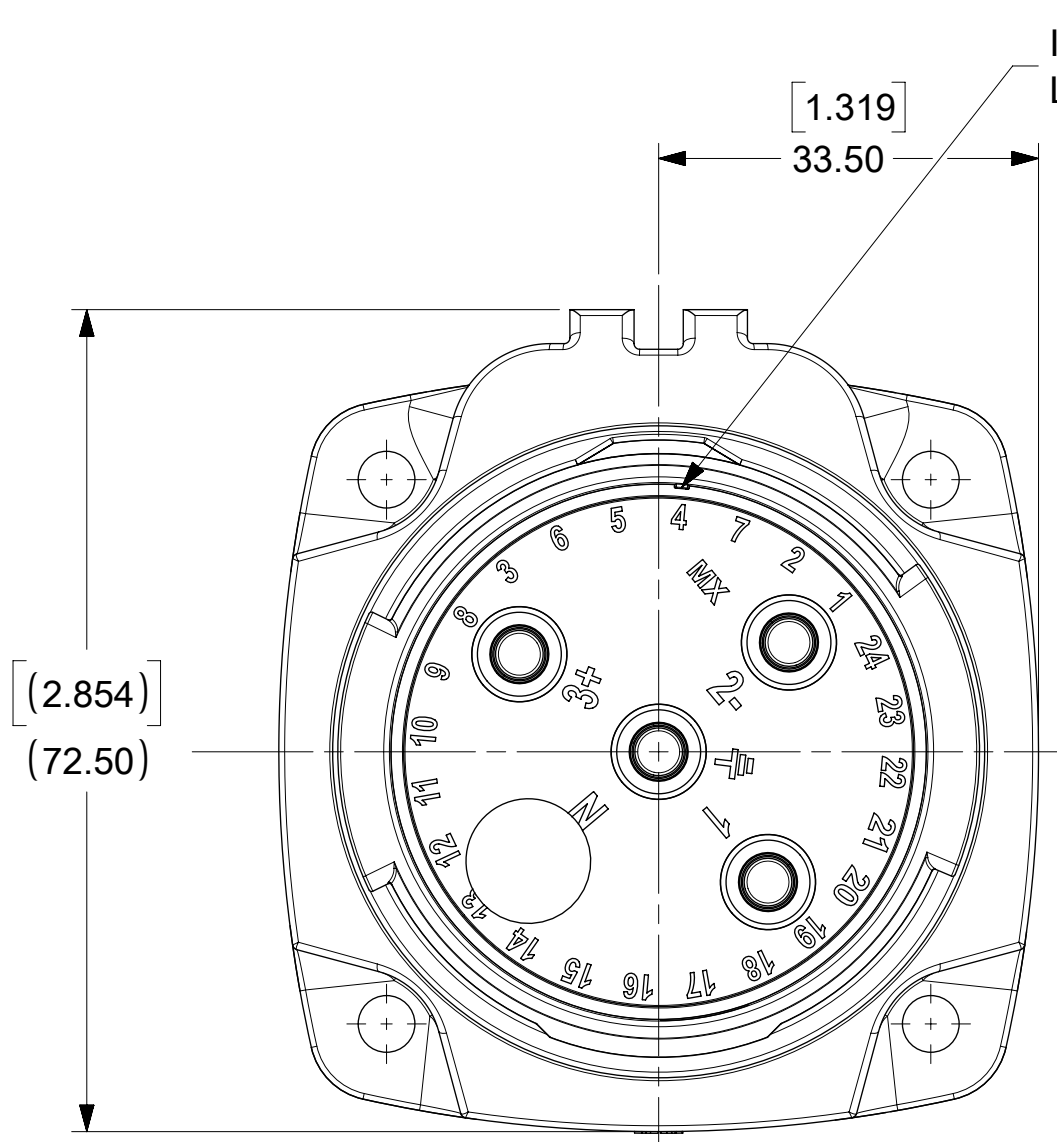


MATERIAL NUMBER	ENG NO.	DESCRIPTION	INSULATOR KEYING POSITION	HORSEPOWER RATING
1122191001	ARC30MA01	ARC 30A M 125VAC 1P+N+G	7	1 HP
1122191002	ARC30MB02	ARC 30A M 250VAC 2P+G		3 HP
1122191003	ARC30MB03	ARC 30A M 250VAC 3P+G		5 HP
1122191004	ARC30MAB04	ARC 30A M 125/250VAC 2P+N+G	16	NA
1122191005	ARC30MC02	ARC 30A M 208VAC 2P+G		NA
1122191006	ARC30MC03	ARC 30A M 208VAC 3P+G		5 HP
1122191007	ARC30MAC05	ARC 30A M 120/208VAC 3P+N+G	4	NA
1122191008	ARC30MD01	ARC 30A M 277VAC 1P+N+G		NA
1122191009	ARC30ME02	ARC 30A M 480VAC 2P+G		NA
1122191010	ARC30ME03	ARC 30A M 480VAC 3P+G	14	10 HP
1122191011	ARC30MDE05	ARC 30A M 277/480VAC 3P+N+G		NA
1122191012	ARC30MF02	ARC 30A M 600VAC 2P+G		NA
1122191013	ARC30MF03	ARC 30A M 600VAC 3P+G	14	NA
1122191014	ARC30MGF05	ARC 30A M 347/600VAC 3P+N+G		NA



SCALE 1:1



NOTES:

MATERIALS:
HOUSINGS AND INSULATORS: GLASS FILLED PBT
CONTACTS: COPPER ALLOY WITH A SILVER NICKEL TIP, SILVER PLATED.
MOUNTING GASKET: SILICONE

RATING:
CURRENT: 30 AMPS
VOLTAGE AND HORSEPOWER: SEE TABLE
OPERATING TEMPERATURE: -40°C (-40°F) TO 60°C (140°F)
ENVIRONMENTAL: TYPE 4X, IP69K
WIRING CAPACITY: 12 AWG MIN. TO 8 AWG MAX.
TORQUE TERMINAL SCREWS TO 1.7 N-M (15 in/lbs)
AGENCY: UL LISTING PENDING
SWITCH RATED INLET/PLUG
BRANCH CIRCUIT DISCONNECT SWITCH
MOTOR CIRCUIT DISCONNECT SWITCH IF HP RATED

THIS DRAWING REPLACES SD-112219-101

ARC30ME03 SHOWN

FUNCTIONAL SYMBOLS	THIS DRAWING CONTAINS INFORMATION THAT IS PROPRIETARY TO MOLEX ELECTRONIC TECHNOLOGIES, LLC AND SHOULD NOT BE USED WITHOUT WRITTEN PERMISSION			
	DIMENSION UNITS	SCALE		CURRENT REV DESC: ADDED STD TOLERANCES AND ADDITIONAL CENTERLINES
	MM[INCH]	1.5:1		
	GENERAL TOLERANCES (UNLESS SPECIFIED)			
DIVISIONAL SYMBOLS	4 PLACES	±	±	EC NO: 645036 DRWN: VBASUTHKARP 2020/07/10 CHK'D: VBASUTHKARP 2020/09/15 APPR: JFMURPHY 2020/10/16 INITIAL REVISION: DRWN: APPR:
	3 PLACES	±	± .005	
	2 PLACES	± 0.13	± .01	
	1 PLACE	± 0.25	± .02	
	0 PLACES	±	±	
ANGULAR TOL		± 0.5°		THIRD ANGLE PROJECTION DRAWING SERIES C-SIZE 112219
DRAFT WHERE APPLICABLE MUST REMAIN WITHIN DIMENSIONS				
DOCUMENT STATUS	P1	RELEASE DATE	2020/10/16 14:52:45	DOCUMENT NUMBER: 1122191010 DOC TYPE: PSD DOC PART: 000 REVISION: B4 MATERIAL NUMBER: SEE TABLE CUSTOMER: GENERAL MARKET SHEET NUMBER: 1 OF 1