

MOLEX P/N	LENGTH (M)	LENGTH TOLERANCE (mm)	AWG
1110751000	0.5	±25	30
1110751001	1.0	±50	30
1110751125	1.2	±50	30
1110751160	1.45	±50	30
1110753112	1.5	±50	30
1110751185	1.8	±50	30
1110751002	2.0	±50	30
1110751025	2.5	±50	28
1110751003	3.0	±100	28
1110751026	3.5	±100	28
1110751004	4.0	±100	26
1110751005	5.0	±100	26
1110751027	5.5	±100	26
1110751006	6.0	±100	26
1110751007	7.0	±150	24
1110751008	8.0	±150	24

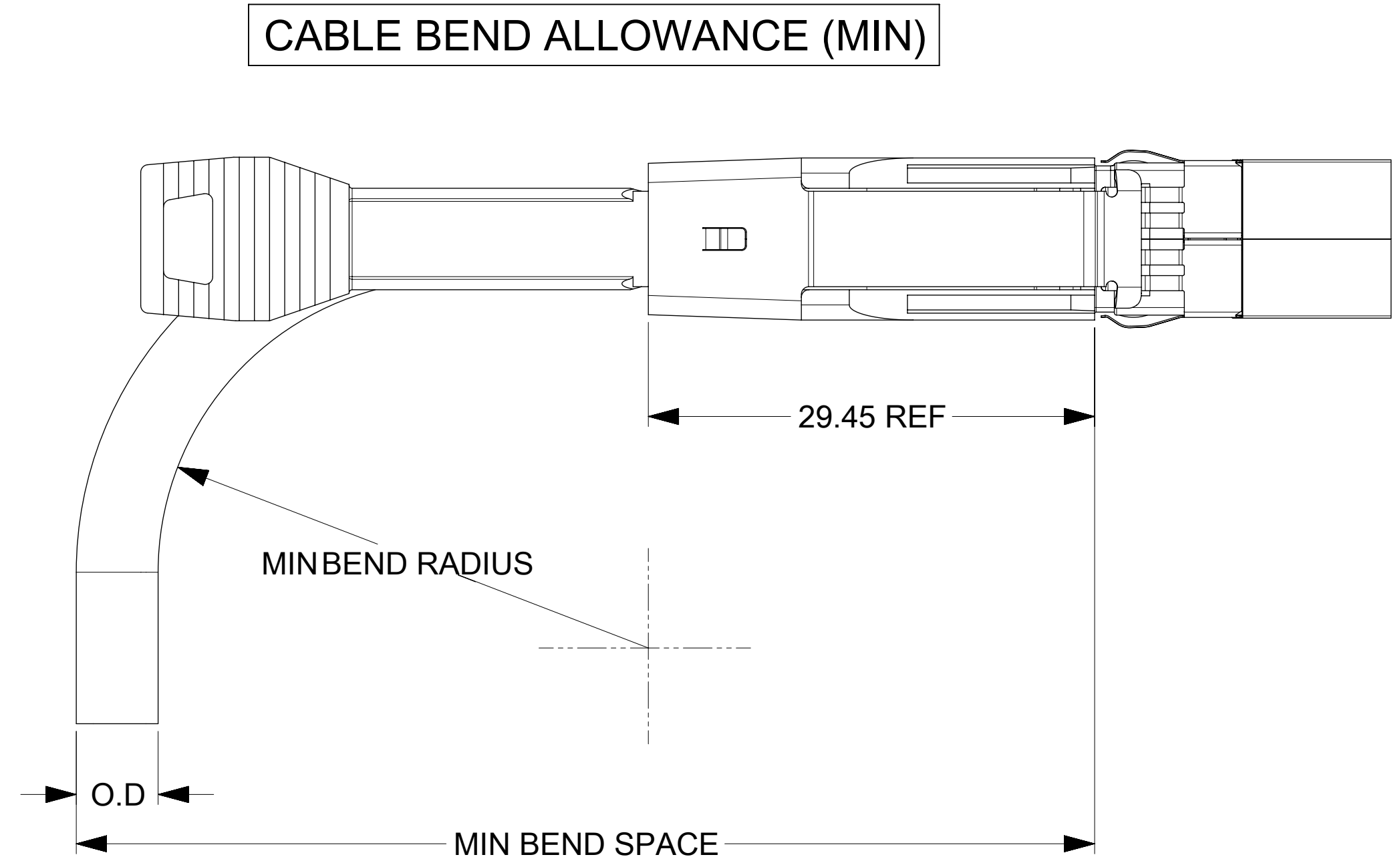
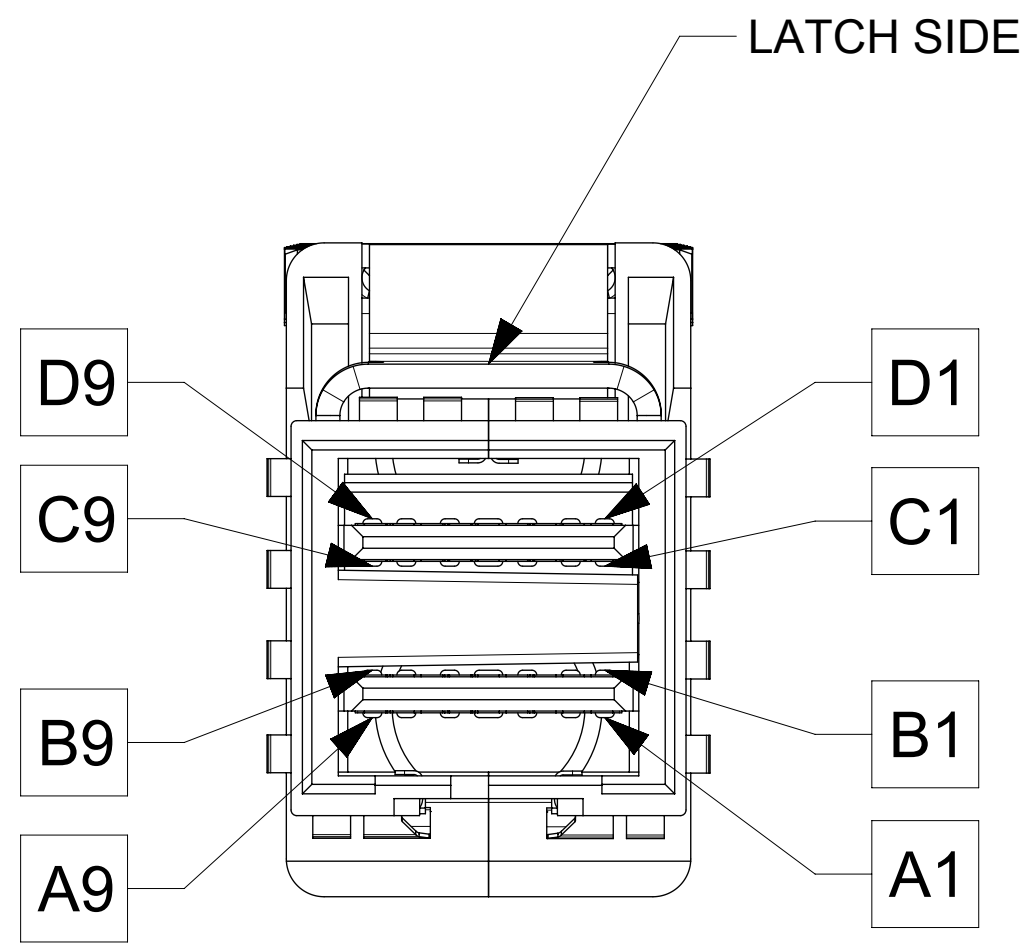
- NOTES:
- MATERIAL =
 BACKSHELLS - NICKEL PLATED ZINC DIECAST
 LATCH - STAINLESS STEEL
 PULL - HALOGEN FREE THERMOPLASTIC ELASTOMER (TPE)
 - THIS PRODUCT CONFORMS TO THE MECHANICAL DIMENSIONING OF SFF-8644 AND ELECTRICAL PERFORMANCE REQUIREMENTS OF SAS 3.0
 - RoHS COMPLIANT. NO EXEMPTIONS.
 - TAPE CABLE BUNDLES EVERY 1/2 METER (APPROXIMATELY)
 - PROTECTIVE DUST CAP TO BE INSTALLED ONTO EACH PLUG (NOT SHOWN).

THIS DRAWING CONTAINS INFORMATION THAT IS PROPRIETARY TO MOLEX ELECTRONIC TECHNOLOGIES, LLC AND SHOULD NOT BE USED WITHOUT WRITTEN PERMISSION

DIMENSION UNITS mm	SCALE 2:1	CURRENT REV DESC: ADDED 1.2M LENGTH PN	molex			
GENERAL TOLERANCES (UNLESS SPECIFIED)		EC NO: 603033				MINISAS 4X HD TO MINISAS 4X HD 12GB EXT PASSIVE CBL ASSY
ANGULAR TOL ± °		DRWN: KNAGANNA 2018/07/13	PRODUCT CUSTOMER DRAWING			
4 PLACES ±		CHK'D: NSRIVATSAHS 2018/08/17	DOCUMENT NUMBER	DOC TYPE	DOC PART	REVISION
3 PLACES ±		APPR: KNAGANNA 2018/08/23	1110751000	PSD	000	J
2 PLACES ± 0.13		INITIAL REVISION:	SHEET NUMBER			
1 PLACE ± 0.25		DRWN: GSARVADE 2018/03/20	MATERIAL NUMBER		CUSTOMER	
0 PLACES ±		APPR: ARAYBURN 2018/03/23	SEE PN TABLE	GENERAL MARKET		1 OF 3
DRAFT WHERE APPLICABLE MUST REMAIN WITHIN DIMENSIONS	THIRD ANGLE PROJECTION	DRAWING SERIES	D-SIZE	111075		

MINISAS HD WIRING CHART				
		-P1-		-P2-
GND	D9	-----	B9	GND
Tx2-	D8	→	B8	Rx2-
Tx2+	D7	→	B7	Rx2+
GND	D6	-----	B6	GND
Tx0-	D5	→	B5	Rx0-
Tx0+	D4	→	B4	Rx0+
GND	D3	-----	B3	GND
Vman	D2	** █ **	B2	ModPrsL
Vact	D1	** █ **	B1	Vact
SCL	C1	** █ **	A1	Rsv
SDA	C2	** █ **	A2	IntL
GND	C3	-----	A3	GND
Tx1+	C4	→	A4	Rx1+
Tx1-	C5	→	A5	Rx1-
GND	C6	-----	A6	GND
Tx3+	C7	→	A7	Rx3+
Tx3-	C8	→	A8	Rx3-
GND	C9	-----	A9	GND
GND	B9	-----	D9	GND
Rx2-	B8	←	D8	Tx2-
Rx2+	B7	←	D7	Tx2+
GND	B6	-----	D6	GND
Rx0-	B5	←	D5	Tx0-
Rx0+	B4	←	D4	Tx0+
GND	B3	-----	D3	GND
ModPrsL	B2	** █ **	D2	Vman
Vact	B1	** █ **	D1	Vact
Rsv	A1	** █ **	C1	SCL
IntL	A2	** █ **	C2	SDA
GND	A3	-----	C3	GND
Rx1+	A4	←	C4	Tx1+
Rx1-	A5	←	C5	Tx1-
GND	A6	-----	C6	GND
Rx3+	A7	←	C7	Tx3+
Rx3-	A8	←	C8	Tx3-
GND	A9	-----	C9	GND

LEGEND:
 ** = RESERVED FOR POWER AND MANAGEMENT INTERFACE
 → = TRANSMIT TO RECEIVE ON HIGH SPEED LINES
 ----- = THRU LINES
 █ = CONNECTION TO A DEVICE ON THE PCB



GUAGE	O.D	MINIMUM BEND RADIUS (mm)	MINIMUM BEND SPACE (mm)
30	5.1	26	60
28	5.6	28	63
26	6.9	35	71
24	7.6	38	75

THIS DRAWING CONTAINS INFORMATION THAT IS PROPRIETARY TO MOLEX ELECTRONIC TECHNOLOGIES, LLC AND SHOULD NOT BE USED WITHOUT WRITTEN PERMISSION

DIMENSION UNITS mm	SCALE 3:1	CURRENT REV DESC: ADDED 1.2M LENGTH PN	molex		
GENERAL TOLERANCES (UNLESS SPECIFIED)		EC NO: 603033			
ANGULAR TOL ± °		DRWN: KNAGANNA 2018/07/13	PRODUCT CUSTOMER DRAWING		
4 PLACES ±		CHK'D: NSRIVATSAHS 2018/08/17	DOCUMENT NUMBER		
3 PLACES ±		APPR: KNAGANNA 2018/08/23	1110751000		
2 PLACES ± 0.13		INITIAL REVISION:	DOC TYPE	DOC PART	REVISION
1 PLACE ± 0.25		DRWN: GSARVADE 2018/03/20	PSD	000	J
0 PLACES ±		APPR: ARAYBURN 2018/03/23	SHEET NUMBER		
DRAFT WHERE APPLICABLE MUST REMAIN WITHIN DIMENSIONS	THIRD ANGLE PROJECTION	DRAWING	SERIES	MATERIAL NUMBER	CUSTOMER
		D-SIZE	111075	SEE PN TABLE	GENERAL MARKET



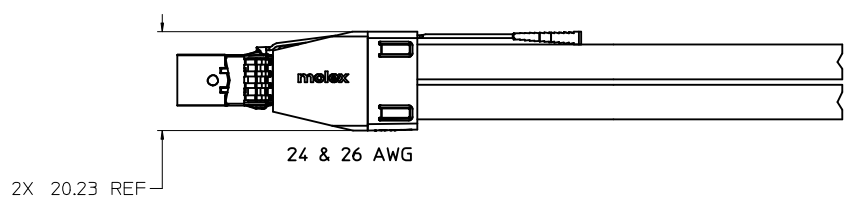
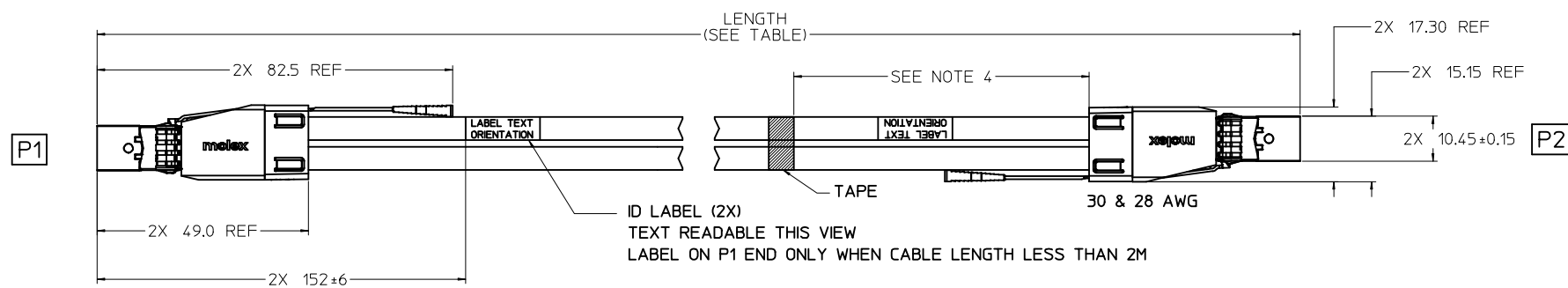
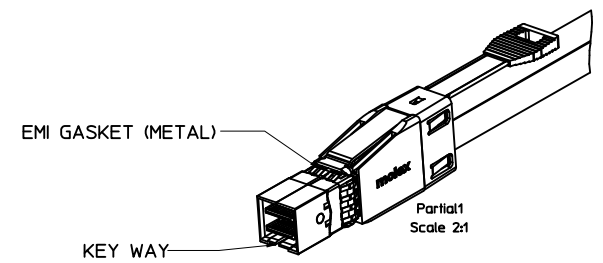
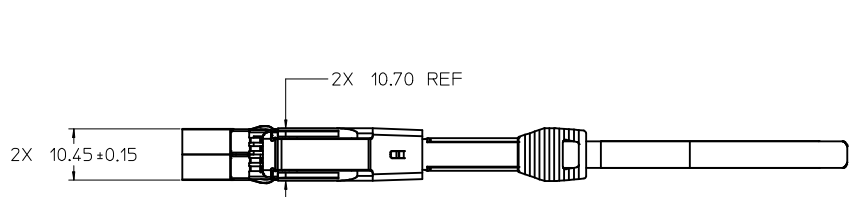
P/N: SEE TABLE
 S/N: Y = YEAR, THE LAST DIGIT OF YEAR
 DDD = DAY OF THE YEAR
 L = LOCATION
 1 - USA
 2 - MEXICO
 3 - CHINA

SSSS = SERIAL NUMBER
 X.XXM: CABLE LENGTH, SEE TABLE
 XXAWG: WIRE GAGE, SEE TABLE

(DATE CODE ISO-8601 FORMAT)

THIS DRAWING CONTAINS INFORMATION THAT IS PROPRIETARY TO MOLEX ELECTRONIC TECHNOLOGIES, LLC AND SHOULD NOT BE USED WITHOUT WRITTEN PERMISSION

DIMENSION UNITS mm	SCALE 1:1	CURRENT REV DESC: ADDED 1.2M LENGTH PN	molex		
GENERAL TOLERANCES (UNLESS SPECIFIED)		EC NO: 603033			
ANGULAR TOL ± °		DRWN: KNAGANNA 2018/07/13	PRODUCT CUSTOMER DRAWING		
4 PLACES ±		CHK'D: NSRIVATSAHS 2018/08/17	DOCUMENT NUMBER	DOC TYPE	DOC PART
3 PLACES ±		APPR: KNAGANNA 2018/08/23	1110751000	PSD	000
2 PLACES ± 0.13		INITIAL REVISION:	REVISION	J	
1 PLACE ± 0.25		DRWN: GSARVADE 2018/03/20	MATERIAL NUMBER		
0 PLACES ±		APPR: ARAYBURN 2018/03/23	CUSTOMER		
DRAFT WHERE APPLICABLE MUST REMAIN WITHIN DIMENSIONS	THIRD ANGLE PROJECTION 	DRAWING D-SIZE	SERIES 111075	SHEET NUMBER 3 OF 3	
			SEE PN TABLE	GENERAL MARKET	



MOLEX P/N	LENGTH (M)	LENGTH TOLERANCE (mm)	AWG
1110751000	0.5	±25	30
1110751001	1.0	±50	30
1110751160	1.45	±50	30
1110753112	1.5	±50	30
1110751002	2.0	±50	30
1110751025	2.5	±50	28
1110751003	3.0	±100	28
1110751026	3.5	±100	28
1110751004	4.0	±100	26
1110751005	5.0	±100	26
1110751027	5.5	±100	26
1110751006	6.0	±100	26
1110751007	7.0	±150	24
1110751008	8.0	±150	24

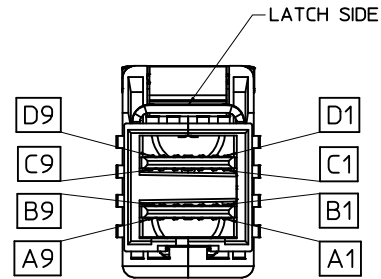
- NOTES:
- MATERIAL =
 BACKSHELLS - NICKEL PLATED ZINC DIECAST.
 LATCH - STAINLESS STEEL.
 PULL - HALOGEN FREE THERMOPLASTIC ELASTOMER (TPE)
 - THIS PRODUCT CONFORMS TO THE MECHANICAL DIMENSIONING OF SFF-8644 AND ELECTRICAL PERFORMANCE REQUIREMENTS OF SAS 3.0
 - RoHS COMPLIANT. NO EXEMPTIONS.
 - TAPE CABLE BUNDLES EVERY 1/2 METER (APPROXIMATELY)
 - PROTECTIVE DUST CAP TO BE INSTALLED ONTO EACH PLUG (NOT SHOWN).

ADDED 1110751027 EC NO: CPG2016-3207 DRWNG: KUMARR CHKD: APPR: ARABURU 2016/03/01 2016/03/01	QUALITY SYMBOLS	GENERAL TOLERANCES (UNLESS SPECIFIED)	DIMENSION STYLE	SCALE	DESIGN UNITS	THIRD ANGLE PROJECTION
	▽=0	mm INCH	MM ONLY	2:1	METRIC	
	▽=0	4 PLACES ± --- ± ---	DRAWN BY	DATE	TITLE	
	▽=0	3 PLACES ± 0.13 ± 0.25	RKLINE	2012/09/11	MINISAS 4X HD TO MINISAS 4X HD 12GB EXT PASSIVE CBL ASSY	
	ANGULAR ± ---	DRAFT WHERE APPLICABLE MUST REMAIN WITHIN DIMENSIONS	CHECKED BY	DATE		
	SEE P/N TABLE		SHOSSAIN	2013/04/09		
			APPROVED BY	DATE		
			RMKHAN	2013/07/03		
			MATERIAL NO.	DOCUMENT NO.		
				SD-111075-1000		
						SHEET NO. 1 OF 3

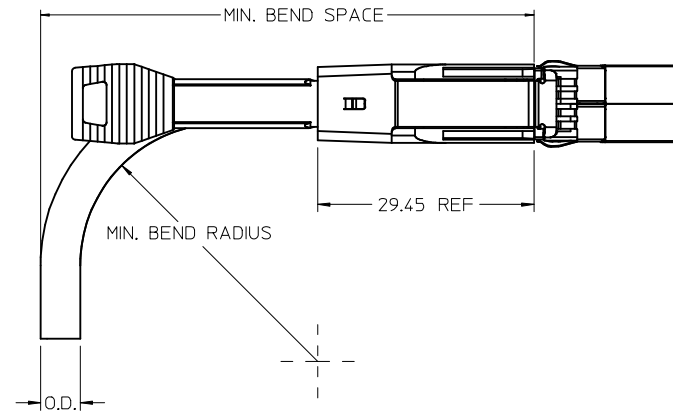
MINISAS HD WIRING CHART									
-P1-					-P2-				
GND	D9	----	B9	GND					
Tx2-	D8	---->	B8	Rx2-					
Tx2+	D7	---->	B7	Rx2+					
GND	D6	----	B6	GND					
Tx0-	D5	---->	B5	Rx0-					
Tx0+	D4	---->	B4	Rx0+					
GND	D3	----	B3	GND					
Vman	D2	**■**	B2	ModPrsL					
Vac†	D1	**■**	B1	Vac†					
SCL	C1	**■**	A1	Rsv					
SDA	C2	**■**	A2	IntL					
GND	C3	----	A3	GND					
Tx1+	C4	---->	A4	Rx1+					
Tx1-	C5	---->	A5	Rx1-					
GND	C6	----	A6	GND					
Tx3+	C7	---->	A7	Rx3+					
Tx3-	C8	---->	A8	Rx3-					
GND	C9	----	A9	GND					
GND	B9	----	D9	GND					
Rx2-	B8	<----	D8	Tx2-					
Rx2+	B7	<----	D7	Tx2+					
GND	B6	----	D6	GND					
Rx0-	B5	<----	D5	Tx0-					
Rx0+	B4	<----	D4	Tx0+					
GND	B3	----	D3	GND					
ModPrsL	B2	**■**	D2	Vman					
Vac†	B1	**■**	D1	Vac†					
Rsv	A1	**■**	C1	SCL					
IntL	A2	**■**	C2	SDA					
GND	A3	----	C3	GND					
Rx1+	A4	<----	C4	Tx1+					
Rx1-	A5	<----	C5	Tx1-					
GND	A6	----	C6	GND					
Rx3+	A7	<----	C7	Tx3+					
Rx3-	A8	<----	C8	Tx3-					
GND	A9	----	C9	GND					

LEGEND:

- ** = RESERVED FOR POWER AND MANAGEMENT INTERFACE
- > = TRANSMIT TO RECEIVE ON HIGH SPEED LINES
- < = THRU LINES
- = CONNECTION TO A DEVICE ON THE PCB



CABLE BEND ALLOWANCE (MIN)

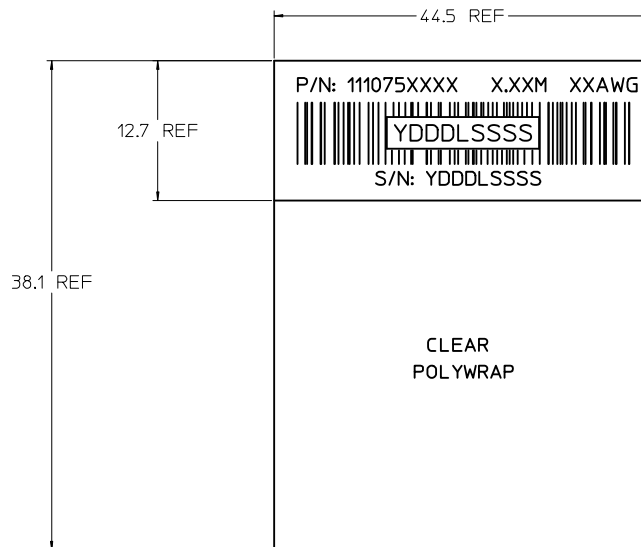


GUAGE	O.D.	MIN. BEND RADIUS	MIN. BEND SPACE
30	5.1	26	60
28	5.6	28	63
26	6.9	35	71
24	7.6	38	75

ADDED 110751027 EC NO: CPG2016-3207 DRW: DRINKUMARR CHKD: CHYK APPR: ARABURIN 2016/03/01	QUALITY SYMBOLS ▽=0 ▽=0 ▽=0	GENERAL TOLERANCES (UNLESS SPECIFIED)		DIMENSION STYLE MM ONLY		SCALE 5:1	DESIGN UNITS METRIC	THIRD ANGLE PROJECTION
		4 PLACES ± mm INCH	DRAWN BY RKLIN	DATE 2012/09/11	TITLE MINISAS 4X HD TO MINISAS 4X HD 12GB EXT PASSIVE CBL ASSY			
		3 PLACES ± 0.13	CHECKED BY SHOSSAIN	DATE 2013/04/09	molex			
		2 PLACES ± 0.25 1 PLACE ± 0.25 0 PLACE ± 0.25	APPROVED BY RPKHAN	DATE 2013/07/03	MATERIAL NO. SEE P/N TABLE	DOCUMENT NO. SD-11075-1000	SHEET NO. 2 OF 3	
DRAFT WHERE APPLICABLE MUST REMAIN WITHIN DIMENSIONS		THIS DRAWING CONTAINS INFORMATION THAT IS PROPRIETARY TO MOLEX INCORPORATED AND SHOULD NOT BE USED WITHOUT WRITTEN PERMISSION						

20 19 18 17 16 15 14 13 12 11 10 9 8 7 6 5 4 3 2 1

CABLE ID LABEL



P/N: SEE TABLE
 S/N: Y = YEAR, LAST DIGIT OF YEAR
 DDD = DAY OF THE YEAR
 L = LOCATION - 1 = USA
 2 = MEXICO
 3 = CHINA
 SSSS = SERIAL NUMBER
 X.XXM: CABLE LENGTH, SEE TABLE
 XXAWG: WIRE GAGE, SEE TABLE

(DATE CODE ISO-8601 FORMAT)

ADDED 1110751027 EC NO: CPG2016-3207 DRWNG: KUMARR 2016/03/01 CHKD: APPR: ARABEURN 2016/03/01 REV DESCRIPTION	QUALITY SYMBOLS ▽=0 ▽=0 ▽=0		GENERAL TOLERANCES (UNLESS SPECIFIED) mm INCH 4 PLACES ± --- ± --- 3 PLACES ± --- ± --- 2 PLACES ± 0.13 ± --- 1 PLACE ± 0.25 ± --- 0 PLACE ± --- ± ---		DIMENSION STYLE MM ONLY DRAWN BY DATE RKLIN 2012/09/11 CHECKED BY DATE SHOSSAIN 2013/04/09 APPROVED BY DATE RMKHAN 2013/07/03		SCALE 3:1 DESIGN UNITS METRIC		THIRD ANGLE PROJECTION MINISAS 4X HD TO MINISAS 4X HD 12GB EXT PASSIVE CBL ASSY	
	ANGULAR ± ---° DRAFT WHERE APPLICABLE MUST REMAIN WITHIN DIMENSIONS		MATERIAL NO. SEE P/N TABLE		DOCUMENT NO. SD-111075-1000		SHEET NO. 3 OF 3			
	THIS DRAWING CONTAINS INFORMATION THAT IS PROPRIETARY TO MOLEX INCORPORATED AND SHOULD NOT BE USED WITHOUT WRITTEN PERMISSION									

19 18 17 16 15 14 13 12 11 10 9 8 7 6 5 4 3 2 1