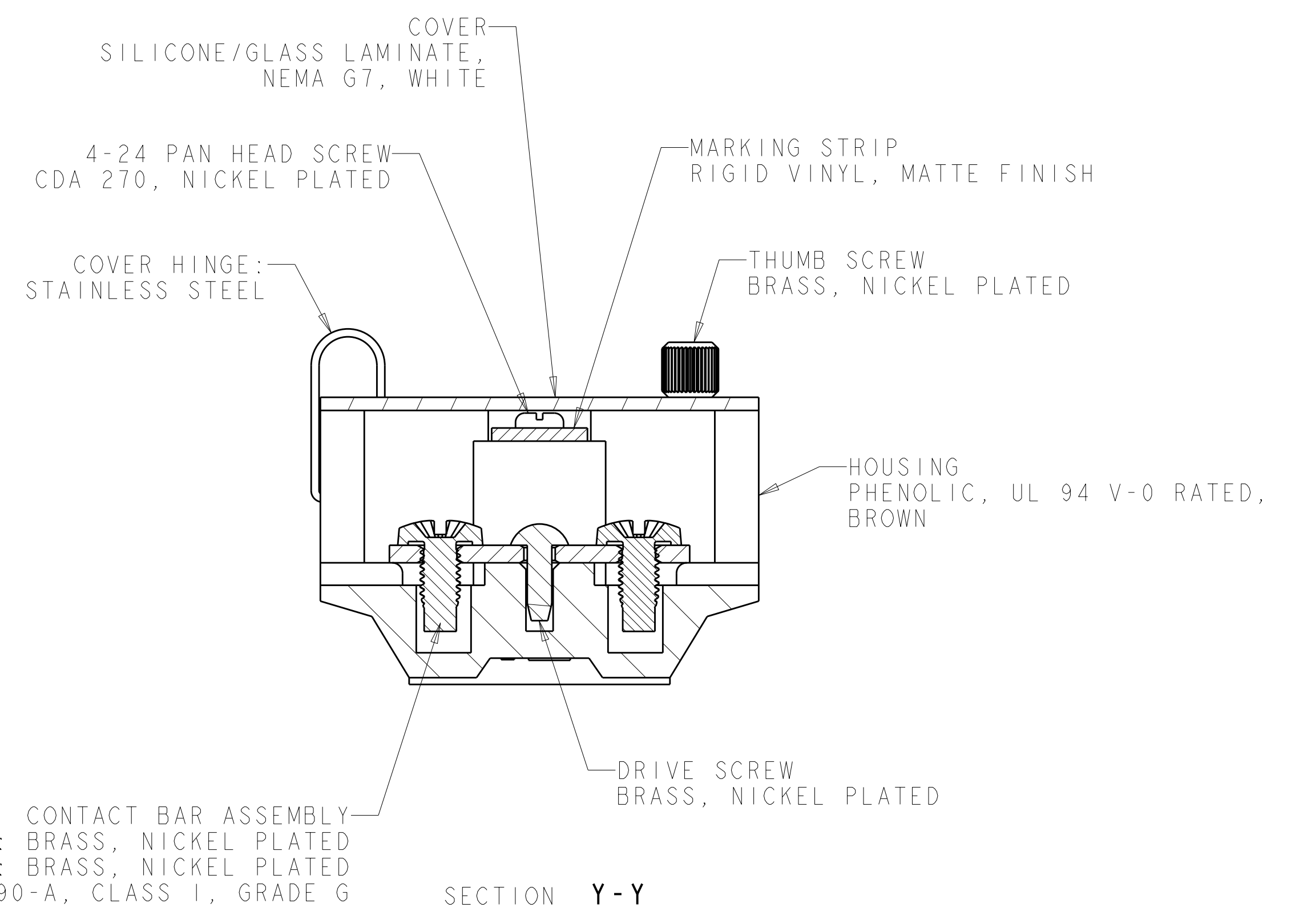
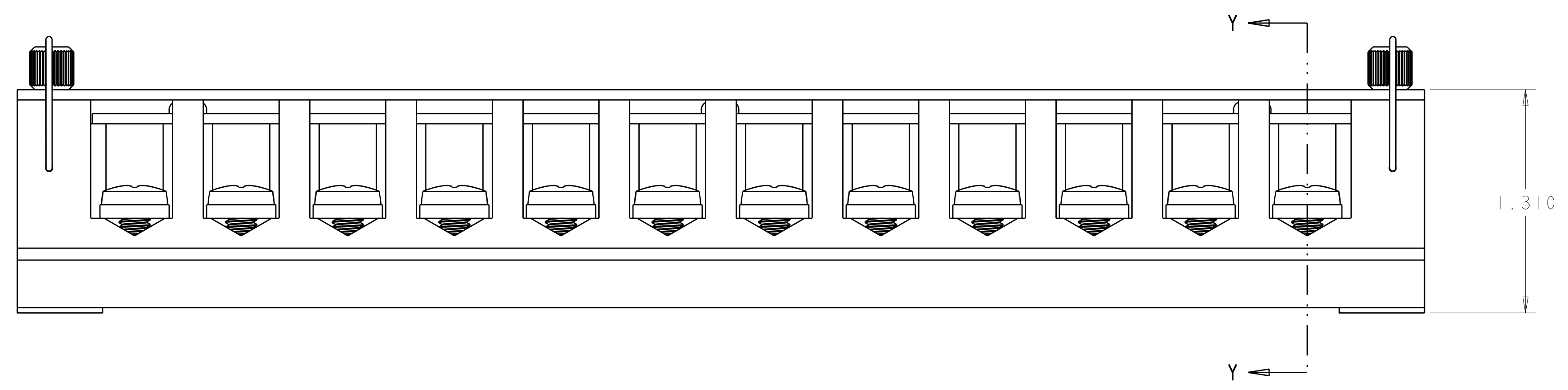
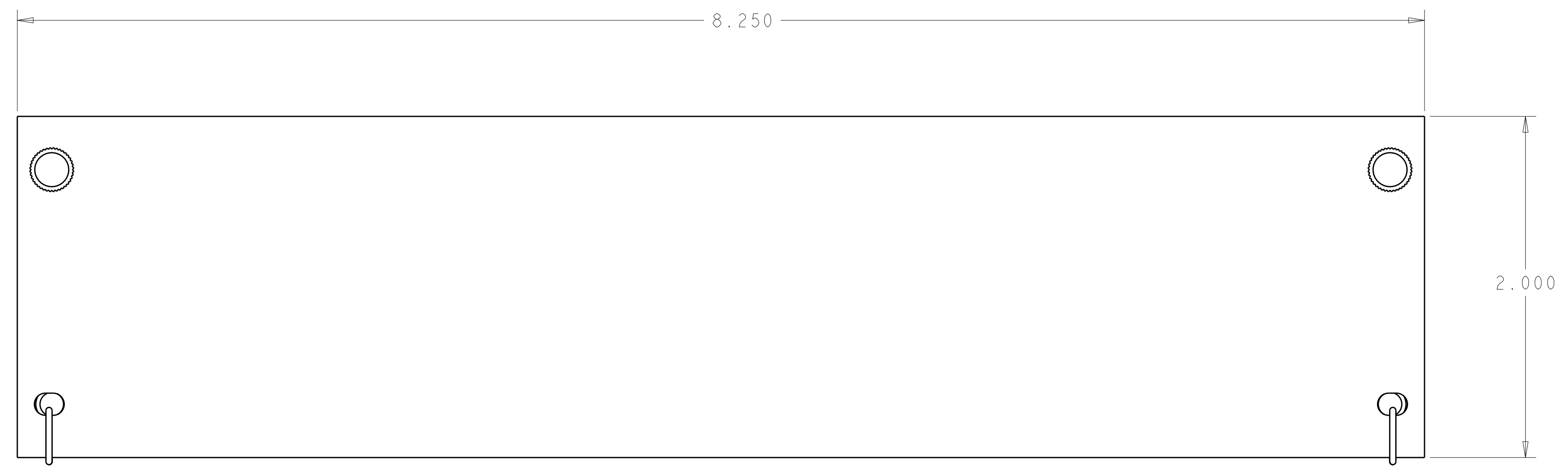


| LOC | DIST | REVISIONS | | | | | |
|-----|------|-----------|-----|---------------------------|-----------|-----|------|
| FT | 0 | P | LTB | DESCRIPTION | DATE | DWN | APVD |
| | | A | | PRELIMINARY | 28FEB2002 | SW | - |
| | | B | | REVISED EC 063B-0680-03 | 16OCT2003 | SW | SY |
| | | BI | | REVISED PER ECO-09-025699 | 09DEC2009 | KK | HMR |



- ALL PARTS ASSEMBLED AS SHOWN.
 - WIRE RANGE: 14-18 AWG.
 - ELECTRICAL PROPERTIES:
 MAXIMUM CURRENT: 70A FOR A SINGLE #6 AWG WIRE
 OPERATING VOLTAGE: 600V
 - ENVIRONMENTAL PROPERTIES:
 CONTINUOUS TEMPERATURE: 150°C (302°F) MAX
 WATER ABSORPTION: (24 HRS %WT.GAIN): .45% PER ASTM D570
 CHEMICAL RESISTANCE: RESISTANT TO ACIDS, ALKALIES, AND ALIPHATIC HYDROCARBONS AND KETONES PER ASTM D543.
 RADIATION RESISTANCE (ERGS G⁻¹ (C)): 2.7 X 10⁸ MIN
 - .4375 MAX LUG WIDTH.
- △ OBSOLETE PARTS: OBSOLETE CIS STREAMLINING PER D.RENAUD/D.SINISI

| OBSOLETE | NO OF CIRCUITS | PART NUMBER |
|----------|----------------|-------------|
| 12 | | 1-1546245-2 |
| 8 | | 1546245-8 |
| 6 | | 1546245-6 |
| 4 | | 1546245-4 |
| 2 | | 1546245-2 |

| | | | | | | | |
|---------------------------|--|---|--|---|--|---|--|
| DIMENSIONS: INCHES | | TOLERANCES UNLESS OTHERWISE SPECIFIED: 9 PLC ±.1 1 PLC ±0.1 3 PLC ±0.02 5 PLC ±0.005 4 PLC ±0.0005 ANGLES ±.1 | | DWN S.WELDON 28FEB2002 CHK S.YODER 28FEB2002 APVD S.YODER 28FEB2002 | | Tyco Electronics Corporation Harrisburg, PA 17105-3608 | |
| MATERIAL: - FINISH: - | | PRODUCT SPEC: - APPLICATION SPEC: - WEIGHT: - | | NAME: BLOCK ASSEMBLY, ONE PIECE .625 PITCH | | SIZE: A1 CAGE CODE: 00779 DRAWING NO: C=1546245 | |
| CUSTOMER DRAWING | | SCALE: 2:1 | | SHEET: 1 OF 1 | | REV: B1 | |