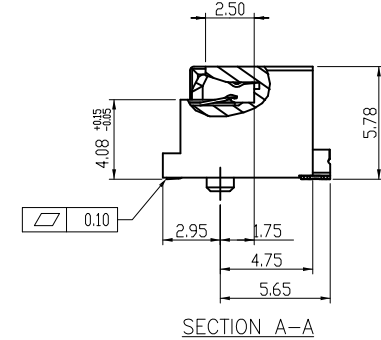
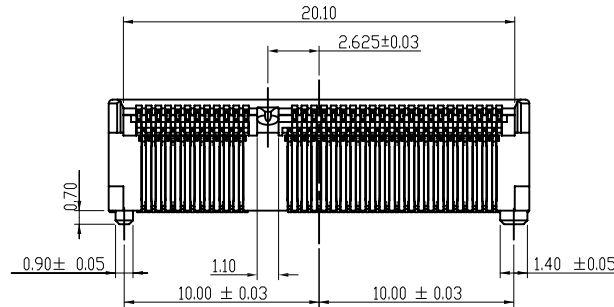
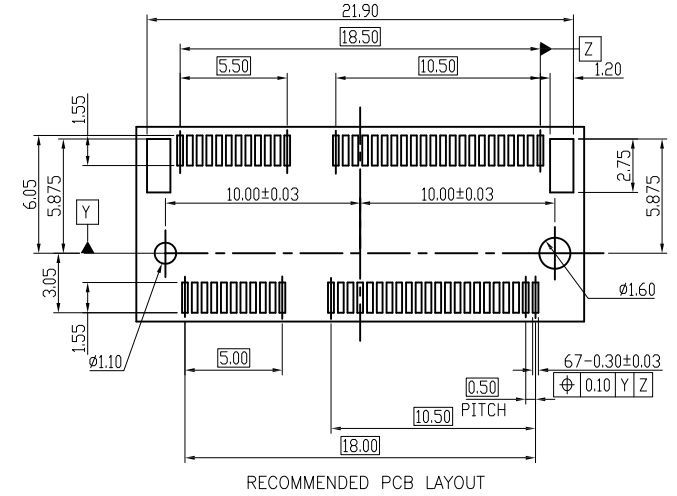
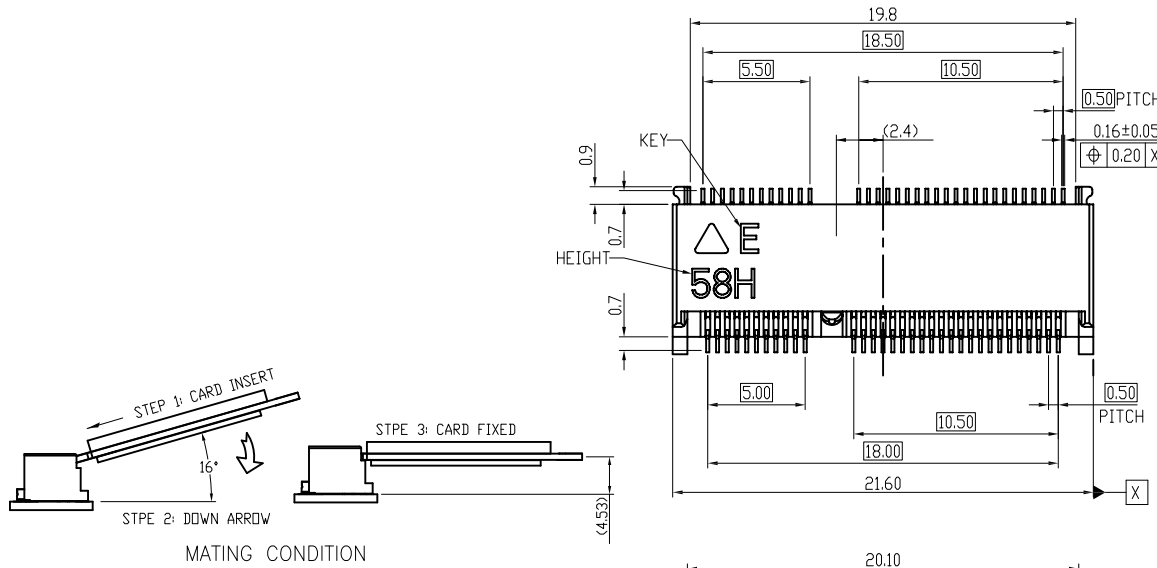


APPROVED: _____
 DATE: _____ TITLE: _____

Rev	AWO #	Description	Date	Appr
-		RELEASED	3/16/21	
A		ADDED PACKING	12/9/21	WX/RC



SPECIFICATIONS:
 Material:
 Insulator: (LCP) Hi-Temp Thermoplastic, rated UL 94V-0
 Insulator Color: Black
 Contacts: Phosphor Bronze
 Hold down: Brass, Nickel Plated
 Solder area: Tin plated
 Plating:
 Gold flash over Nickel underplate overall
 Electrical:
 Voltage rating: 50 VAC
 Current rating: 0.5A / (1Pin)
 Contact resistance: 55 mohms max
 Insulation resistance: 500 Mohms min
 Dielectric withstanding voltage: 300 VAC for 1 minute
 Mechanical:
 Durability: 60 cycles min
 Insertion force: 20N max
 Withdrawal force: 25N
 Temperature Rating:
 Operating temperature: -40°C to +85°C
 Environmental:
 Lead free, RoHS compliant



UNLESS OTHERWISE SPECIFIED ALL DIMENSIONS ARE MILLIMETERS. TOLERANCES: EXCEPT AS NOTED

MM	ANGLE
.X ± 0.30	X. ± 3°
.XX ± 0.20	.X ± 1°
.XXX ± 0.10	



909 Rahway Avenue,
 Union, NJ 07083
 Phone: 908-687-5000
 Fax: 908-687-5710

DRAWN	LH	3/16/21
CHECKED	JL	3/16/21
APPROVED		

TITLE
**M.2 CONNECTOR, 67PINS, SMT TYPE,
 5.80MM HEIGHT, E KEY**

THIS DRAWING CONTAINS INFORMATION THAT IS PROPRIETARY AND SHOULD NOT BE USED WITHOUT PRIOR WRITTEN PERMISSION FROM ADAM TECH

SIZE X	PART NO. M2-A1-67-R-SMT-5.80-KE-T/R	REV. A
REF: S00275T	SCALE: NTS	SHEET 1 OF 3

6 5 4 3 2 1

APPROVED: _____
 DATE: _____ TITLE: _____

Rev	AWO #	Description	Date	Appr
SEE SHT 1 OF 3 FOR REVISION				

FRONT SIDE

42(NGFF CARD 42mm TYPE)
 60(NGFF CARD 60mm TYPE)
 80(NGFF CARD 80mm TYPE)
 110(NGFF CARD 110mm TYPE)

22
 <11>
 $\phi 3.5 \pm 0.05$
 $\phi 0.15 \text{C/B/A}$
 $\phi 5.5 \pm 0.1$
 MECHANICAL GND PAD
 AREA RESERVED FOR RF RECEPTACLE OR COMPONENTS WHEN NO RF RECEPTACLES USED
 COMPONENT AREA

3.8 ± 0.15
 2
 POS. No.75
 PITCH
 1.2 ± 0.05
 2.625
 10.5
 2.5
 5.5
 19.85 ± 0.15

3.5
 4
 POS. No.1
 34X0.35 ± 0.04
 $\phi 0.15 \text{C/B/A}$
 0.05C
 0.5
 1.25
 A
 B

KEY ID "E"
 RECOMMENDED MODULE LAYOUT
 GENERAL TOLERANCE ±0.15

1.25 ± 0.1
 1.25 ± 0.1
 1 ± 0.1
 $\phi 3.5 \pm 0.1$
 MECHANICAL GND PAD
 COMPONENT AREA

4 MIN.
 2-20 ± 5
 0.3 ± 0.25
 0.2 MIN.
 0.8 ± 0.08
 -0.15
 5.2 MIN.

BACK SIDE

2-R0.5
 POS. No.2
 PITCH
 1.375
 2.5
 10.5
 0.5
 POS. No.74
 33X0.35 ± 0.04
 $\phi 0.15 \text{C/B/A}$
 0.05C
 2.5

UNLESS OTHERWISE SPECIFIED ALL DIMENSIONS ARE MILLIMETERS. TOLERANCES: EXCEPT AS NOTED

MM	ANGLE
.X ± 0.30	.X ± 3°
.XX ± 0.20	.X ± 1°
.XXX ± 0.10	

DRAWN	LH	3/16/21
CHECKED	JL	3/16/21
APPROVED		

THIS DRAWING CONTAINS INFORMATION THAT IS PROPRIETARY AND SHOULD NOT BE USED WITHOUT PRIOR WRITTEN PERMISSION FROM ADAM TECH

ADAM TECH

909 Rahway Avenue,
 Union, NJ 07083
 Phone: 908-687-5000
 Fax: 908-687-5710

TITLE
 M.2 CONNECTOR, 67PINS, SMT TYPE,
 5.80MM HEIGHT, E KEY

SIZE	PART NO.	REV.
X	M2-A1-67-R-SMT-5.80-KE-T/R	A

REF: S00275T SCALE: NTS SHEET 2 OF 3

6 5 4 3 2 1

6 5 4 3 2 1

APPROVED: _____
 DATE: _____ TITLE: _____

Rev	AWO #	Description	Date	Appr
SEE SHT 1 OF 3 FOR REVISION				

16.0 (Pitch)
 44.00±0.30

Unreeling direction
 CARRIER TAPE
 COVER TAPE
 REEL
 33.30
 44.0

END (15 Pitch) (15 Pitch) START
 NO PRODDUCT (380mm MIN) PRODDUCT (SEE NOTES) NO PRODDUCT (380mm MIN)
 Unreeling direction

PROTECTIVE TAPE
 LABEL

DRYER
 OUTER CARTON
 PARTITION BOARD
 PE BAG
 LABEL

NOTES:

1. PACKING STYLE: 600 PCS/REEL
 3,600 PCS/OUTER CARTON
2. MATERIAL: CARRIER TAPE: PS BLACK
 COVER TAPE: PET FILM
 REEL: PLASTIC
3. PEEL STRENGTH OF COVER TAPE: 20~80g
 (PEEL SPEED 300mm/MINUTE)
4. CARTON SIZE: 350x350x320mm
5. G/W: Kg , N/W: Kg

UNLESS OTHERWISE SPECIFIED ALL DIMENSIONS ARE MILLIMETERS. TOLERANCES: EXCEPT AS NOTED

MM	ANGLE
.X ± 0.30	X. ± 3°
.XX ± 0.20	.X ± 1°
.XXX ± 0.10	

DRAWN	LH	3/16/21
CHECKED	JL	3/16/21
APPROVED		

THIS DRAWING CONTAINS INFORMATION THAT IS PROPRIETARY AND SHOULD NOT BE USED WITHOUT PRIOR WRITTEN PERMISSION FROM ADAM TECH

ADAM TECH 909 Rahway Avenue, Union, NJ 07083
 Phone: 908-687-5000 Fax: 908-687-5710

TITLE: M.2 CONNECTOR, 67PINS, SMT TYPE, 5.80MM HEIGHT, E KEY

SIZE	PART NO.	REV.
X	M2-A1-67-R-SMT-5.80-KE-T/R	A

REF: S00275T SCALE: NTS SHEET 3 OF 3

6 5 4 3 2 1