

*Assembly Table

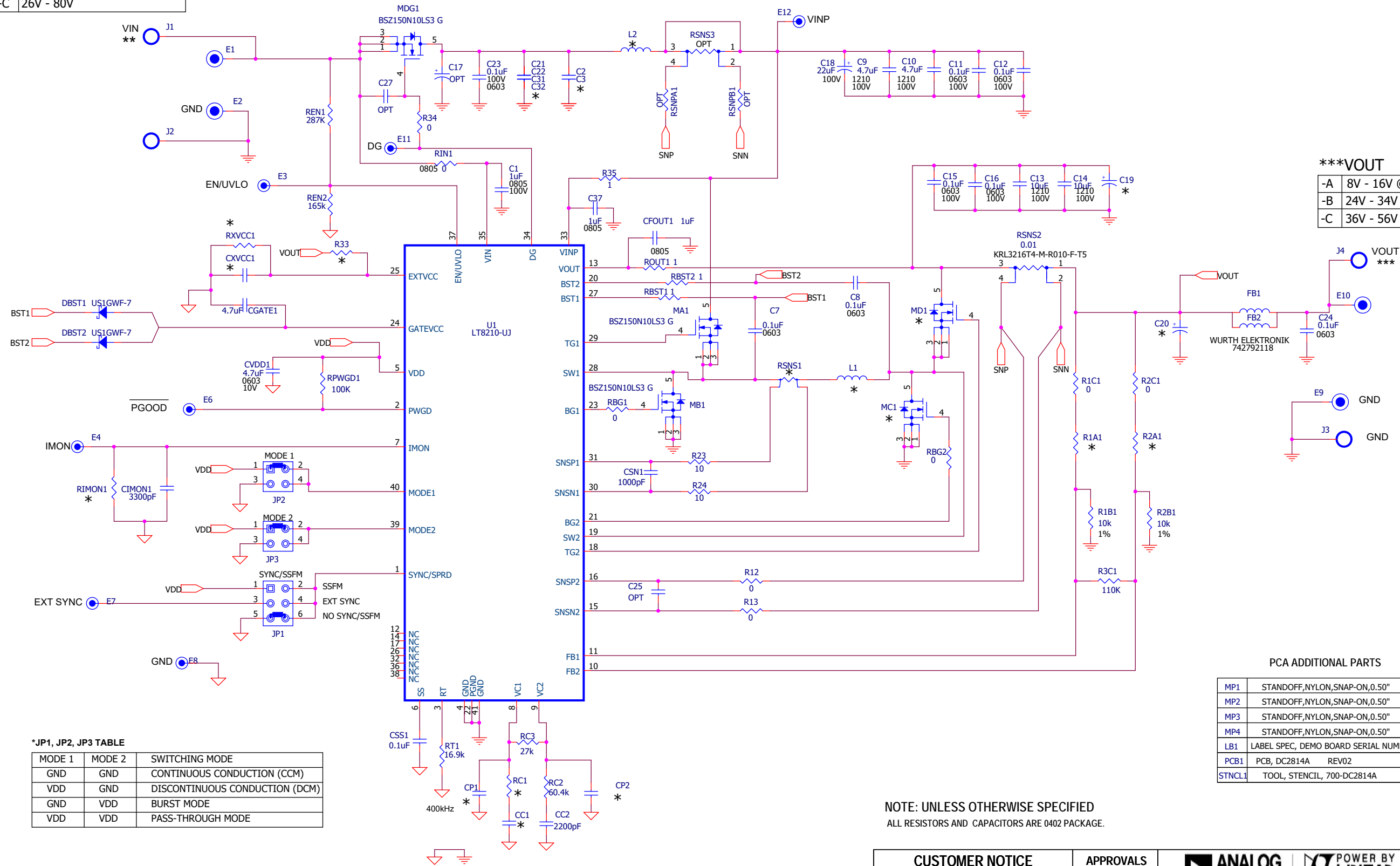
SKU	L1	L2	R1A1	CP1	RC1	CC1	R2A1	CP2	MC1, MD1	C19, C20	R33	RIMON	RSNS1	CXVCC1	RXVCC1	C2, C3	C21, C22, C31, C32
-A	4.2uH - 744325420	1.5uH - 744314150	69.8k	220pF	38.3k	2200pF	150k	220pF	BSZ036NE2LS	330uF	0 ohm	27.4k	4 mOhm	4.7uF	OPEN	OPEN	4.7uF
-B	12uH - 7843321200	1.5uH - 744314150	232k	330pF	10k	22nF	332k	100pF	BSZ040N04LS G	220uF	0 ohm	41.2k	4 mOhm	4.7uH	OPEN	OPEN	4.7uF
-C	12uH - 7843321200	3.3uH - 744314330	348k	330pF	10k	22nF	536k	100pF	BSZ150N10LS3 G	100uF	OPEN	41.2k	8 mOhm	OPEN	1k	33uF	OPEN

**VIN

-A	3 V - 40V (Start-up VIN > 8V)
-B	9V - 36V
-C	26V - 80V

***VOUT

-A	8V - 16V @ 3A
-B	24V - 34V @ 2.5A
-C	36V - 56V @ 2A



*JP1, JP2, JP3 TABLE

MODE 1	MODE 2	SWITCHING MODE
GND	GND	CONTINUOUS CONDUCTION (CCM)
VDD	GND	DISCONTINUOUS CONDUCTION (DCM)
GND	VDD	BURST MODE
VDD	VDD	PASS-THROUGH MODE

PCA ADDITIONAL PARTS

MP1	STANDOFF,NYLON,SNAP-ON,0.50"
MP2	STANDOFF,NYLON,SNAP-ON,0.50"
MP3	STANDOFF,NYLON,SNAP-ON,0.50"
MP4	STANDOFF,NYLON,SNAP-ON,0.50"
LB1	LABEL SPEC, DEMO BOARD SERIAL NUMBER
PCB1	PCB, DC2814A REV02
STNCL1	TOOL, STENCIL, 700-DC2814A REV02

NOTE: UNLESS OTHERWISE SPECIFIED
ALL RESISTORS AND CAPACITORS ARE 0402 PACKAGE.

CUSTOMER NOTICE		APPROVALS		ANALOG DEVICES	POWER BY LINEAR
LINEAR TECHNOLOGY HAS MADE A BEST EFFORT TO DESIGN A CIRCUIT THAT MEETS CUSTOMER-SUPPLIED SPECIFICATIONS; HOWEVER, IT REMAINS THE CUSTOMER'S RESPONSIBILITY TO VERIFY PROPER AND RELIABLE OPERATION IN THE ACTUAL APPLICATION. COMPONENT SUBSTITUTION AND PRINTED CIRCUIT BOARD LAYOUT MAY SIGNIFICANTLY AFFECT CIRCUIT PERFORMANCE OR RELIABILITY. CONTACT LINEAR TECHNOLOGY APPLICATIONS ENGINEERING FOR ASSISTANCE.		PCB DES.	MF		
THIS CIRCUIT IS PROPRIETARY TO LINEAR TECHNOLOGY AND SUPPLIED FOR USE WITH LINEAR TECHNOLOGY PARTS.		APP ENG.	CG	TITLE: DEMO CIRCUIT SCHEMATIC, High Voltage Synchronous 4-Switch Buck-Boost DC/DC Controller with Pass-Through	
SIZE: N/A		IC NO.	LT8210	PCA BOM: 700-DC2814A_REV02	
SCALE = NONE		SKU NO.	* SEE TABLE	SCHEMATIC NO. AND REVISION: 710-DC2814A_REV02	
DATE: 12-18-17		PCA ASSY:	705-DC2814A_REV02	SHEET 1 OF 1	