



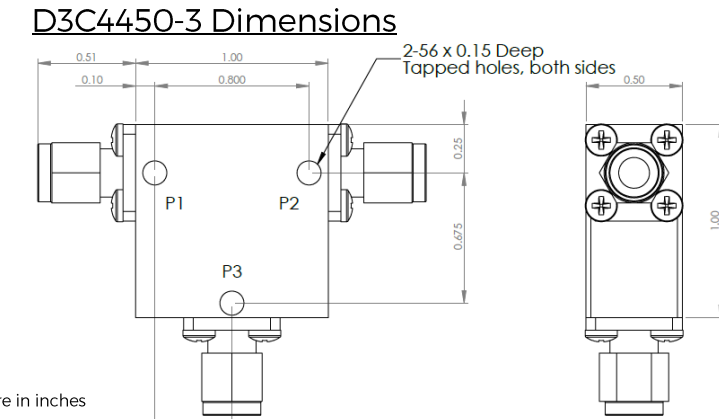
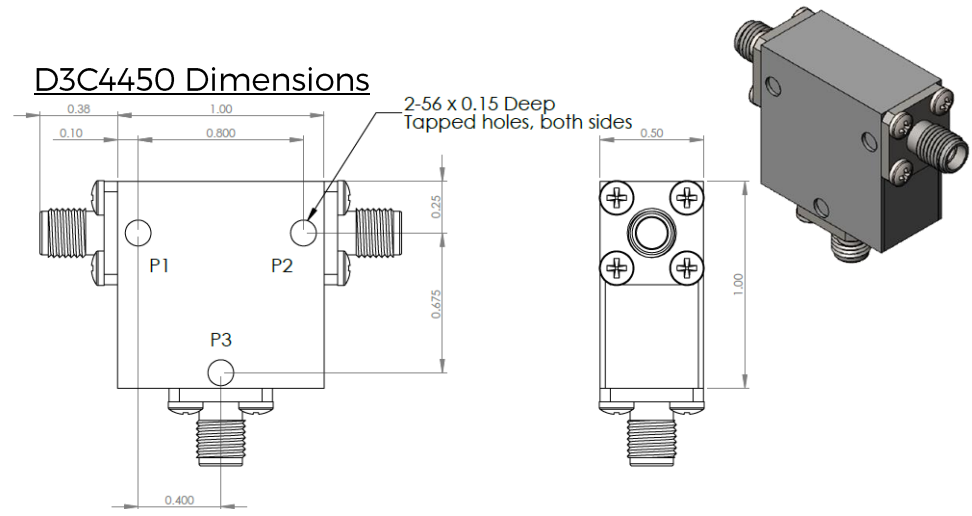
## Part Number: D3C4450

### Electrical Specifications

Frequency Range (GHz):	4.4 - 5.0
Isolation (dB):	23 MIN
Insertion Loss (dB):	0.3 MAX
VSWR:	1.15:1 MIN
Forward Power (W):	25 AVG 35 PK

### Mechanical/Environmental Specifications

Connector Type:	SMA
Connector Body:	Passivated stainless steel
Connector Pin:	Gold plated copper
Load Body:	Brass
Magnetic Shunt:	Nickel plated CRS
Operational Temp:	-30°C to +65°C
Weight (oz)	2.0 MAX



Dimensions are in inches  
Tolerance

XX	±0.03
XXX	±0.010

Type of Device	PN Suffix	Connector Configuration Input / Output	PN Example
Single Junction Circulator 3-Port Device Port 1 / Port 2 / Port 3	No Dash	Female / Female / Female	D3C4450
	-1	Male / Female / Female	D3C4450-1
	-2	Female / Male / Female	D3C4450-2
	-3	Male / Male / Male	D3C4450-3
	-4	Female / Female / Male	D3C4450-4
	-5	Male / Female / Male	D3C4450-5
	-6	Male / Male / Female	D3C4450-6
	-7	Female / Male / Male	D3C4450-7



## MEASURED DATA

Part Number: D3C4450, P1→P2, P3 Terminated with 50Ω, +25°C

