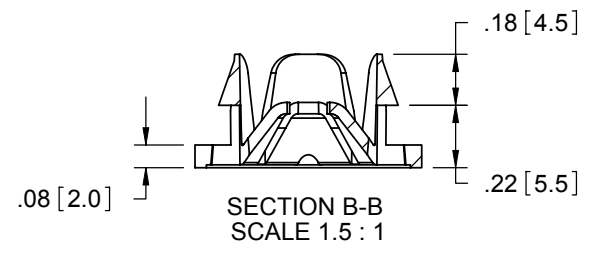
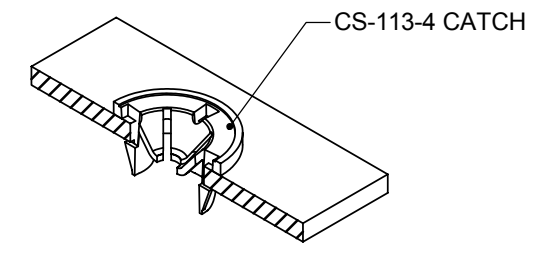
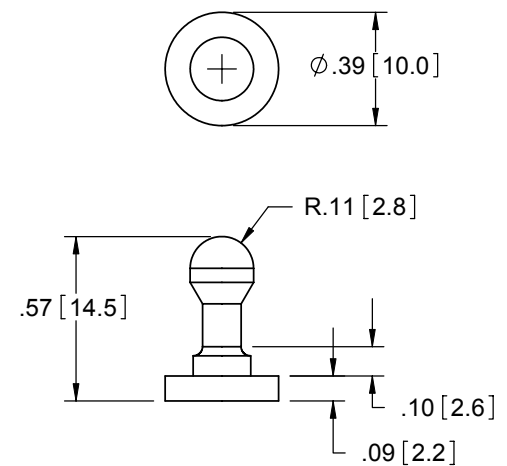
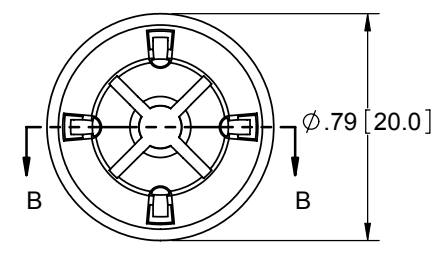
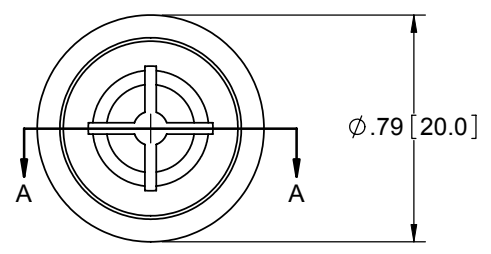


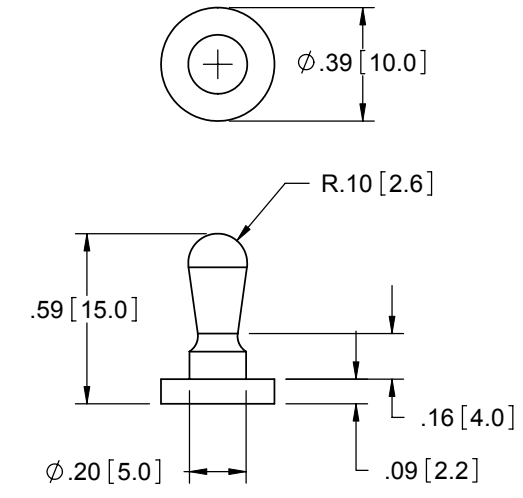
P/N: CS-113-1 CATCH
 1. MATERIAL: SUPERTOUGH NYLON 6/6 (RMS-73).
 2. COLOR: BLACK.



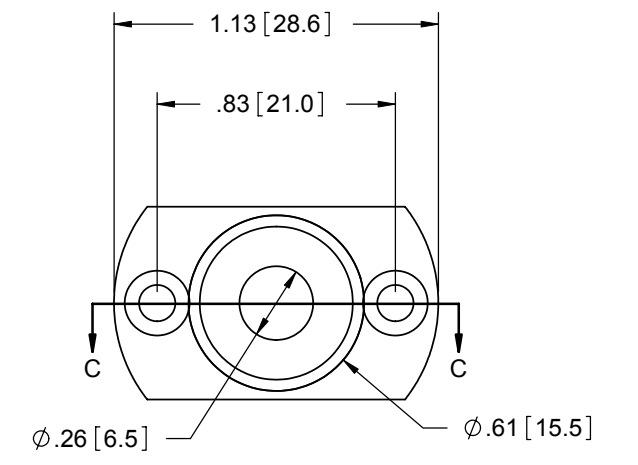
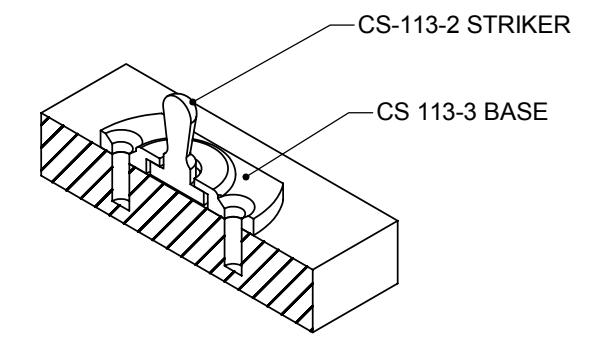
P/N: CS-113-4 CATCH
 1. MATERIAL: NYLON 6/6 (RMS-159).
 2. COLOR: NATURAL.



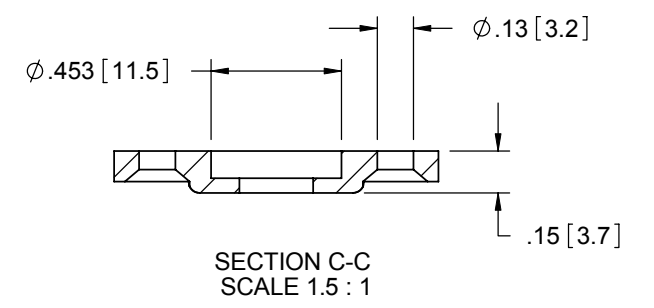
P/N: CS-113-5 STRIKER
 1. MATERIAL: NYLON 6/6 (RMS-01).
 2. COLOR: NATURAL.



P/N: CS-113-2 STRIKER
 1. MATERIAL: SUPERTOUGH NYLON 6/6 (RMS-73).
 2. COLOR: BLACK.



P/N: CS-113-3 BASE
 1. MATERIAL: ACETAL (RMS-39).
 2. COLOR: BLACK.



TITLE: CATCH AND STRIKERS				DWG IN IN [MM]		FINAL	
E SEE ECN #1312 FOR CHANGES		SK 04/11/07		FILE #: CS SERIES		DWN: J.B	
D ADDED CS-113-5 PART, SEE ECN 866		SM 10/12/04		SHEET: 1 OF 1		APP: -	
C SEE ECN #801 FOR CHANGES		SM 06/14/04		SHEET SIZE: B		DT: 08/20/96	
B SEE ECN #521 FOR CHANGES		SM 11.14.02		RE: RICHCO, INC		CHKD: -	
A UPDATED PRINT AND CHANGED FILE NO.		SM 03.12.02		RICHCO, INC.		PART #	
REV. DESCRIPTION		ENGR. DATE		ENG@RICHCO-INC.COM		SEE DRAWING	
				(773) 539-4060		PRINT TYPE	
						CA	