

CUSTOMER PRINT

PART NUMBER: CARA6380XSXXX90

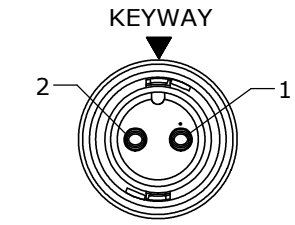
NOTES:

1. FINISHED CABLE ASSEMBLY TO BE COILED
2. OVERMOLD BOOT MATERIAL: PVC, BLACK
3. ELECTRICAL TEST: 100% CONTINUITY
4. ALL DIMENSIONS ARE REFERENCE EXCEPT THOSE WITH A TOLERANCE

ASS'Y P/N	NO. OF POS.	"X" DIM.
CARA63802S07990	2	6 FT. 7 IN. ±2 IN. [2M]
CARA63803S07990	3	
CARA63804S07990	4	
CARA63805S07990	5	
CARA6380XSXXX90		

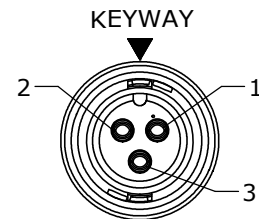
CABLE LENGTH IN "INCHES"

NO OF POSITIONS



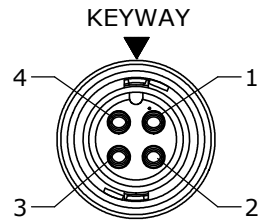
FACE VIEW

P/N: CARA63802SXXX90



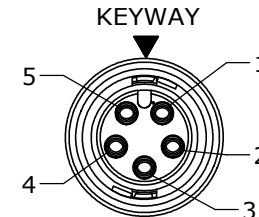
FACE VIEW

P/N: CARA63803SXXX90



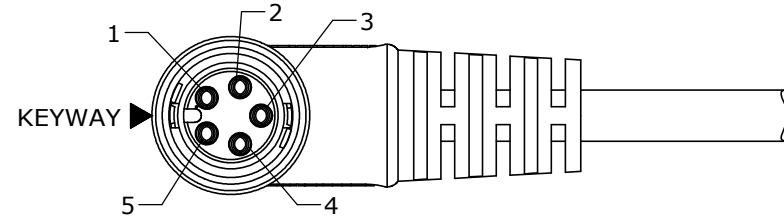
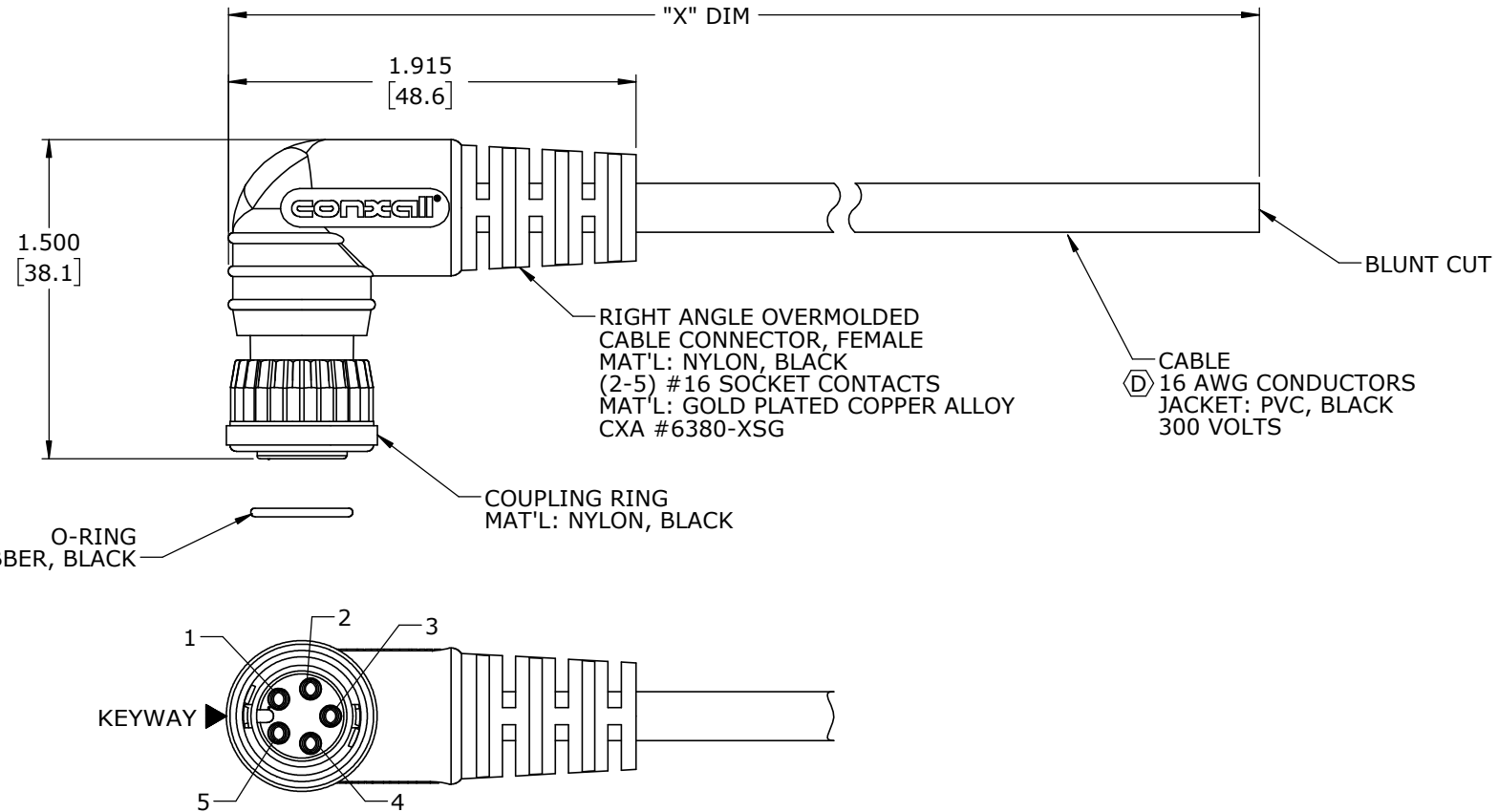
FACE VIEW

P/N: CARA63804SXXX90



FACE VIEW

P/N: CARA63805SXXX90



**END "A"
FACE VIEW
SHOWN CARA63805SXXX90**

ASSY P/N	CABLE	COLOR CODE END "A"				
		COLOR CODE		WIRE COLOR CODE		
CARA63802SXXX90	2/16 AWG O.D. 0.270 REF	POS. 1	POS. 2			
		BLK	WHT			
CARA63803SXXX90	3/16 AWG O.D. 0.275 REF	POS. 1	POS. 2	POS. 3		
		BLK	WHT	GRN		
		WIRE COLOR CODE				
CARA63804SXXX90	4/16 AWG O.D. 0.300 REF	POS. 1	POS. 2	POS. 3	POS. 4	
		BLK	WHT	GRN	RED	
		WIRE COLOR CODE				
		POS. 1	POS. 2	POS. 3	POS. 4	POS. 5
CARA63805SXXX90	5/16 AWG O.D. 0.325 REF	BLK	WHT	GRN	RED	BLU
		WIRE COLOR CODE				

DIMENSIONS IN BRACKET [] ARE METRIC.

CUSTOMER APPROVAL

THIS DOCUMENT CONTAINS CONFIDENTIAL INFORMATION PROPRIETARY TO CONXALL CORPORATION. ANY REPRODUCTION, DISCLOSURE, OR USE OF THIS DOCUMENT /INFORMATION IS EXPRESSLY PROHIBITED UNLESS AUTHORIZED IN WRITING BY CONXALL CORPORATION.

APPROVED BY: _____

DATE: _____

RoHS COMPLIANT

REV.	INIT.	DATE	DESCRIPTION
D	AN	12-22-20	CHANGED CABLES FROM 20 AWG TO 16 AWG, UPDATED CABLE'S P/N AND O.D. PER ECR 9556
C	BDS	01-04-18	CNG OVERMOLD TO FLEX STYLE PER DOR 15-6865CS-1 AND ECR 9250
B	AN	10-28-16	UPDATED MANUFACTURING DRAWING PER ECR 9122
A	AN	06-23-16	DRAWING CREATED PER DOR 16-7414JP

ALL INFORMATION ILLUSTRATED IS THE PROPERTY OF "CONXALL CORPORATION". UNAUTHORIZED DUPLICATION OR DISTRIBUTION OF THIS DOCUMENT IS PROHIBITED.	ORIG. DRAWN BY: AN DATE: 05-25-16	
ALL UNITS ARE IN FEET, INCHES, FRACTION OF INCHES AND DECIMALS.	CHECKED BY:	
APPROVED BY:	TITLE: CABLE ASSEMBLY (2-5) #16 SOCKET CONTACTS MINI-CON-X, R. ANGLE STANDARD PRODUCT	601 E. WILDWOOD VILLA PARK, IL 60181
SCALE: NTS	SIZE: B	SHEET: 1 OF 1
FILE: CARA6380XSXXX90	DIRECTORY: SLW	CUSTOMER: CARA6380XSXXX90
PART NUMBER: CARA6380XSXXX90		REV D