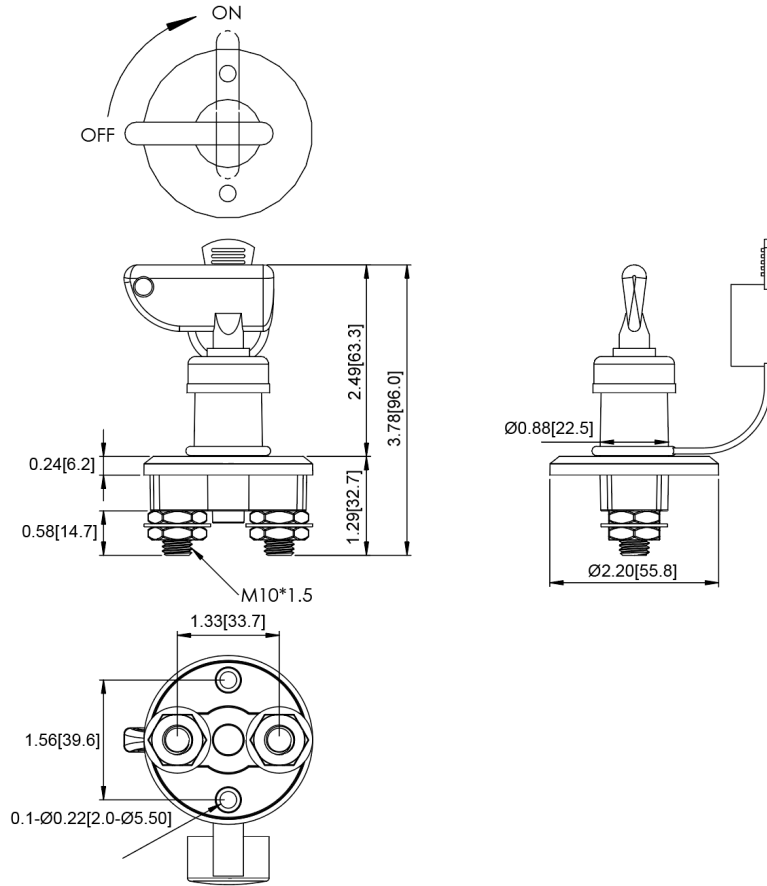
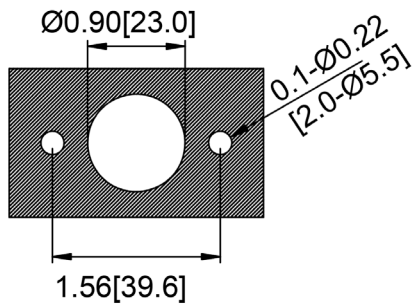


**Mechanical Dimensions: Inches [mm]**

Tolerances  $\pm 0.012$  [0.3] Unless Otherwise Specified

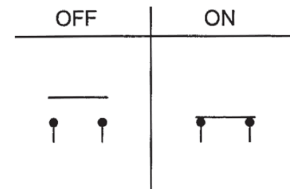


**Mounting Hole**



**Circuit Diagram**

SPST OFF-ON



**Electrical Specifications**

Continuous Rating	300A 12V DC
Intermittent Rating	800A

**Material Specifications**

Housing	Nitrile Butadiene Rubber
Terminals   Contacts	Copper Alloy
Actuator	POM

Key is only removable in the Off position

Rev	Date of issue	Revision Notes	Designed	Approved
A	11-16-2022	Initial Drawing	RC	OF