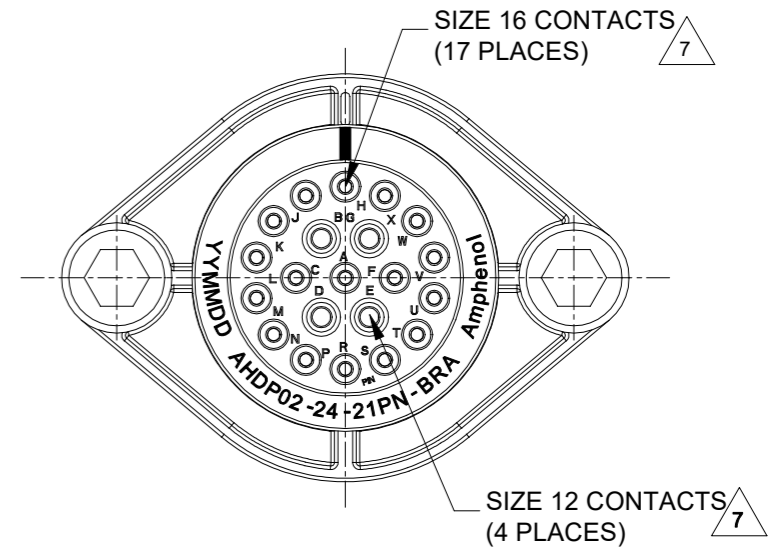
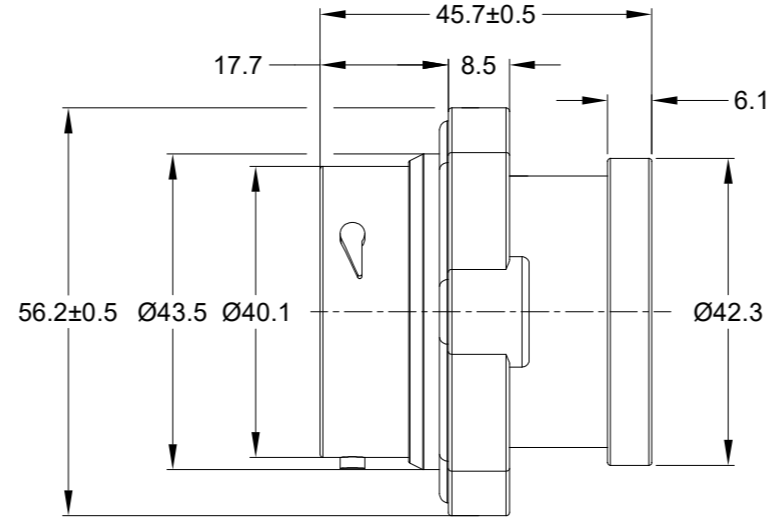
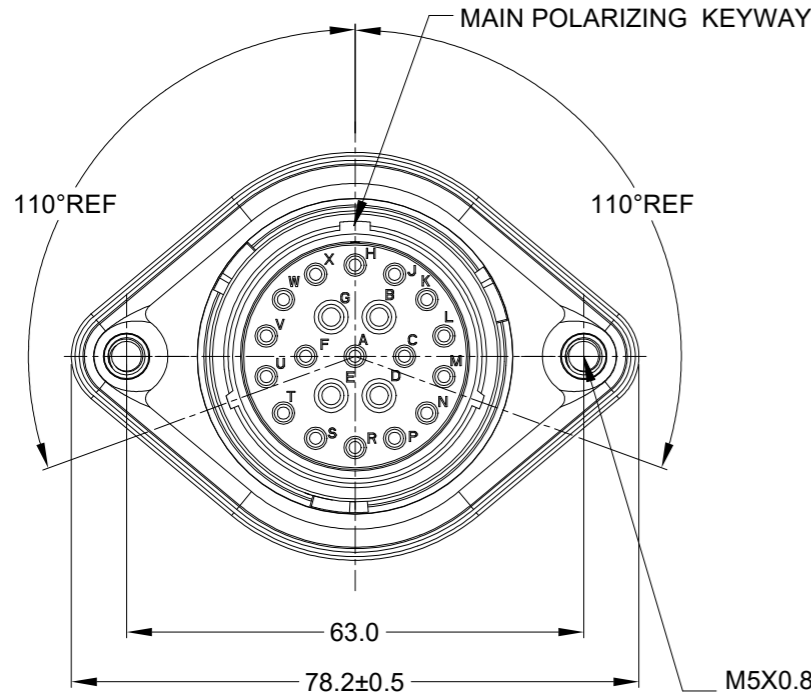
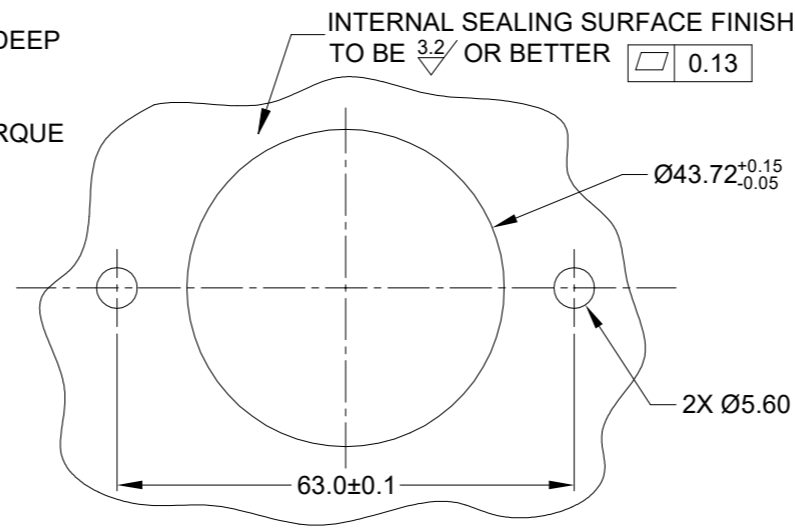


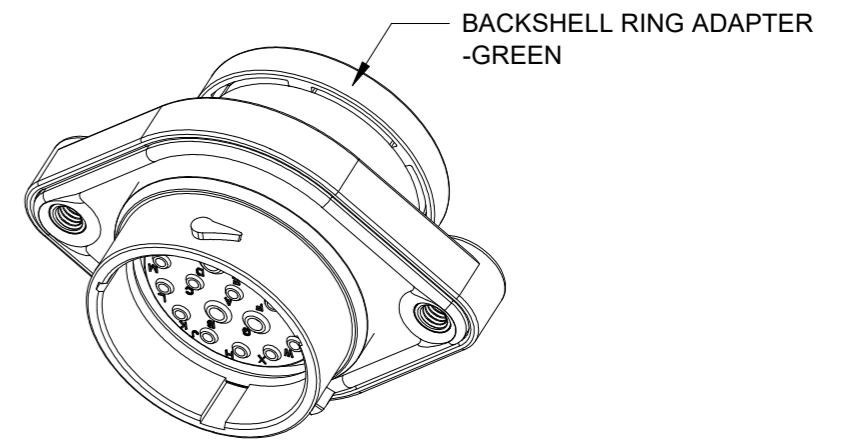
REVISIONS					
REV	ECO	DESCRIPTION	DATE	BY	APPR
A1	-	RELEASE NEW DRAWING	01/APR/22	MILO	TOMMY



M5X0.8-6H 8mm(2X) DEEP  
THREADED INSERT  
  
RECOMMENDED TORQUE  
VALUES: 1.9-2.2 N.m



RECOMMENDED PANEL  
MOUNTING HOLE  
  
RECOMMENDED PANEL  
THICKNESS: 1.6 TO 4.7MM



NOTES: UNLESS OTHERWISE SPECIFIED

- MATERIAL:  
HOUSING: THERMOPLASTIC; BLACK  
SEAL: SILICONE RUBBER  
THREADED INSERT: STAINLESS STEEL
- MODIFICATIONS: BACKSHELL RING ADAPTER (BRA);  
STANDARD DIA. WIRE SEAL  
SEALED PANEL MOUNT
- SPECIFICATIONS:  
3.1 OPERATING TEMPERATURE: -55°C TO +125°C.  
3.2 DIELECTRIC WITHSTANDING VOLTAGE: LESS THAN 2  
MILLIAMPS CURRENT LEAKAGE @ 1500 VOLTS AC.  
3.3 INSULATION RESISTANCE: 1000 MEGOHM MIN @ 25°C.  
3.4 MOISTURE RESISTANCE:  
IP68(IM OF WATER FOR A PERIOD OF 24 HOURS, MATED  
CONDITION);  
IP69K(MATED CONDITION)  
3.5 MATING CYCLE DURABILITY: 100 CYCLES  
3.6 RoHS COMPLIANT
- MATING PART: AHDPO6-24-21S\* (\* = SEAL TYPE)
- ALL DIMENSIONS ARE FOR REFERENCE USE ONLY.
- RECEPTACLE IS SUPPLIED WITH DUST CAP (NOT SHOW)

CONTACT SIZE AND WIRE RANGE:

CONTACT SIZE	MIN. INSUL O.D.	MAX. INSUL O.D.	TYPICAL WIRE RANGE	CURRENT RATING
12	3.43 mm (.135 in)	4.32 mm (.170 in)	10-14 AWG (6.0-2.0mm <sup>2</sup> )	25 AMPS
16	2.54 mm (.100 in)	3.40 mm (.134 in)	14-20 AWG (2.0-0.5mm <sup>2</sup> )	13 AMPS

QUANTITY	AHDPO2-24-21PN-BRA	DESCRIPTION	ITEM

MATERIALS LIST		
SIGNATURES	DATE	
DRAWN: MILO	01/APR/22	<h1>Amphenol</h1> <p>Sine Systems - www.amphenol-sine.com 44724 Morley Drive Clinton Township, MI 48036</p> <p>21 POS, RECEPTACLE, PIN, PANELMATE AHDP SIZE 24, NORMAL SEAL, BRA</p>
CHECKED: SULLEN	02/APR/22	
ENGINEER:		
APPROVAL: TOMMY	06/APR/22	
MATERIAL SPECIFICATIONS:	CUSTOMER:	
WEIGHT: 58.5g		
PROCESS SPECIFICATIONS:	THIS DRAWING IS SUPPLIED FOR INFORMATION ONLY. DESIGN FEATURES, SPECIFICATIONS AND PERFORMANCE DATA SHOWN HEREON ARE THE PROPERTY OF THE AMPHENOL CORPORATION. NO RIGHTS OF REPRODUCTION ARE IMPLIED. ALL DIMENSIONS ARE SUBJECT TO NORMAL MANUFACTURING VARIATIONS.	
NEXT ASSY:		

SIZE	TYPE	DWG NO:	REVISION
B	C-	AHDPO2-24-21PN-BRA	A1
SCALE:	NONE	DURAMATE	SHEET 1 OF 1

TITLE: 21 POS RECEPTACLE, PIN, PANELMATE AHDP SIZE 24, NORMAL SEAL, BRA  
DWG NO: AHDPO2-24-21PN-BRA  
REV: A1  
SH: 1  
OF: 1