

THIS DRAWING IS UNPUBLISHED.

RELEASED FOR PUBLICATION

20

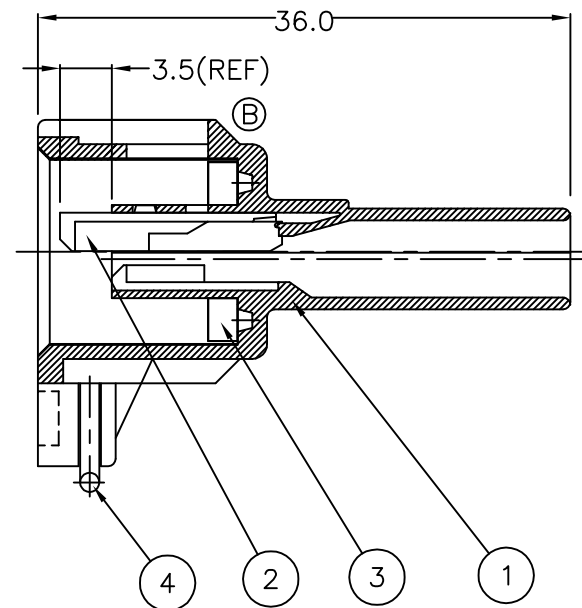
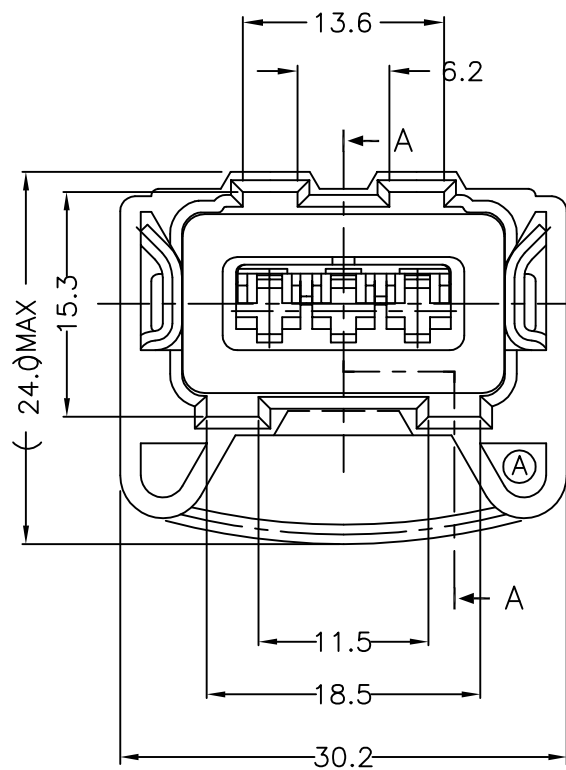
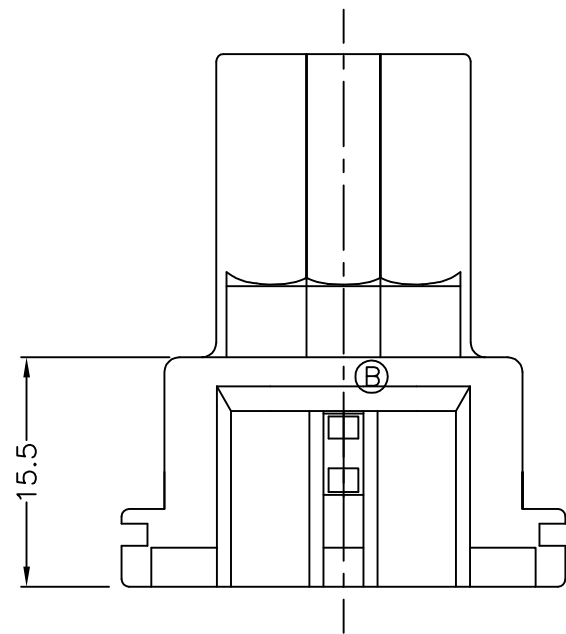
© COPYRIGHT 20

BY -

ALL RIGHTS RESERVED.

REVISIONS

P	LTR	DESCRIPTION	DATE	DWN	APVD
	B1	REVISED(ECR-17-010178)	13JUL2017	JM	KT



SECTION A-A

\* NOTES \*

1. APPLICABLE CONTACT P/NO: 927770 / 927766
2. APPLICABLE WIRE SEAL P/NO: 828904 / 828905 / 368064

NO	P/NO	DESCRIPTION	MATERIAL	COLOR	REQUIRED QTY
4	85388-1	SPRING	SUS 304		1
3	85384-1	SEAL RUBBER	SILICONE	ORANGE	1
2	85207-1	SPACER	PBT	YELLOW	1
1	368216-1	JPT 3P HSG FOR KNOCK SENSOR	PBT 30% GF	LIGHT GRAY	1

P/NO	DESCRIPTION
368215-1	JPT 3P ASS'Y FOR KNOCK SENSOR

THIS DRAWING IS A CONTROLLED DOCUMENT FOR AWP INCORPORATED.

DIMENSIONS: MM	TOLERANCES UNLESS OTHERWISE SPECIFIED: 0<XX<10 ± 0.2 10<XX<30 ± 0.25 30<XX<100 ± 0.3 ANGLES ± 3'
-------------------	--

MATERIAL	FINISH
----------	--------

DWN YD LEE	NAME
CHK BM JANG	
APVD JK SONG	
PRODUCT SPEC 108-61000	
APPLICATION SPEC 114-18018	
WEIGHT 6.35g	

**STE** TE Connectivity

JPT 3P ASS'Y FOR KNOCK SENSOR

SIZE A3	CAGE CODE 00779	DRAWING NO C-368215	RESTRICTED TO -
CUSTOMER DRAWING		SCALE 2:1	SHEET 1 OF 1
		REV B1	