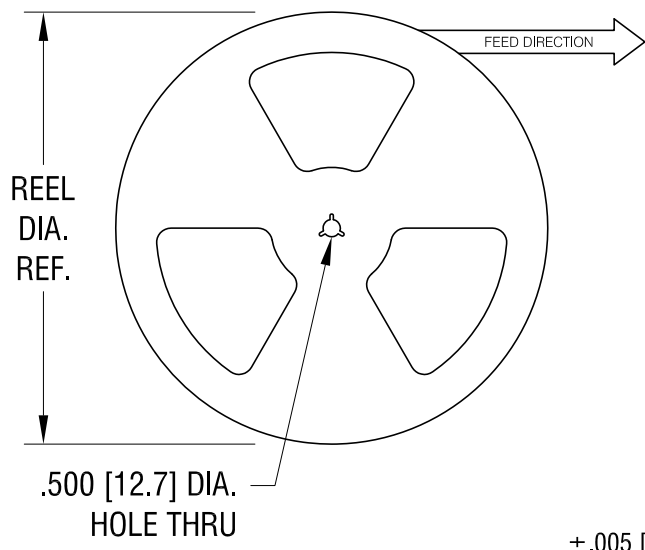
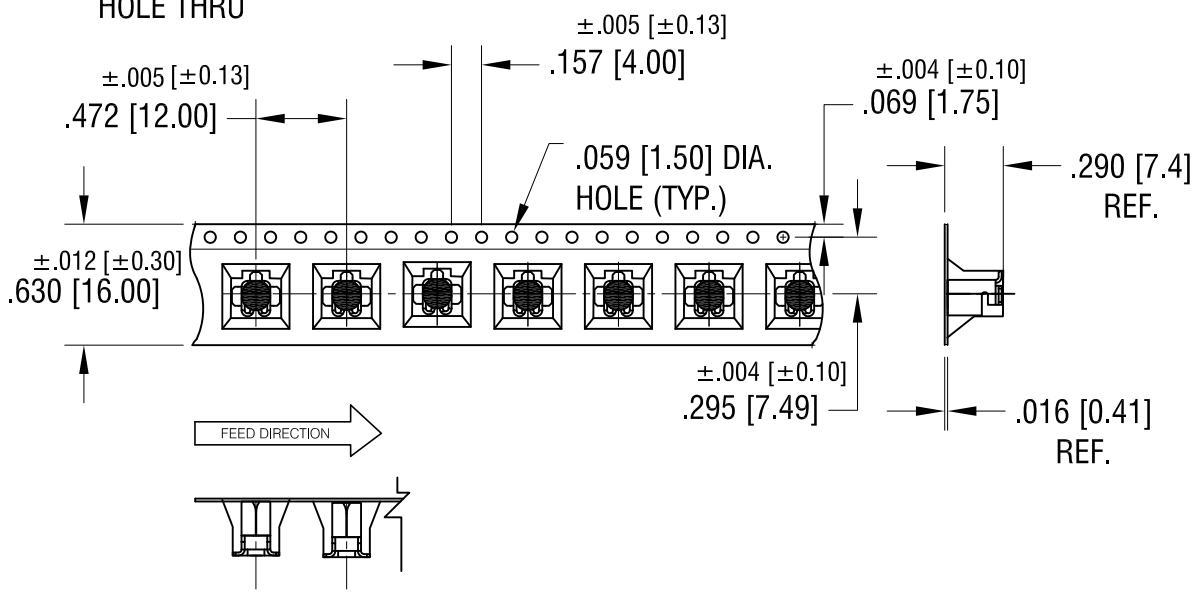
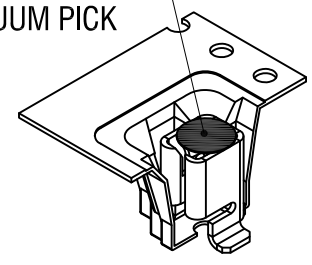


THIS DOCUMENT IS THE PROPERTY OF  
KEYSTONE ELECTRONICS CORP. AND  
SHALL NOT BE REPRODUCED, DISTRIBUTED  
OR USED AS A BASIS FOR MANUFACTURE  
WITHOUT PRIOR WRITTEN PERMISSION  
FROM KEYSTONE ELECTRONICS CORP.



CAPTON TAPE APPLIED TO TOP  
OF EACH FUSE CLIP FOR  
VACUUM PICK



**NOTES:**

**TAPE AND REEL SPECIFICATIONS:**

1. TAPE:  
MAT'L - ALL CONDUCTIVE POLYSTYRENE CARRIER  
ANSI/EIA-481 STANDARD  
.630 [16.0] WIDE; .472 [12.0] PITCH
2. REEL:  
13.0 [330.2] DIA. 750 PIECES OF  
PART NO. 3586 PER REEL.
3. KAPTON TAPE TO BE APPLIED TO TOP  
SURFACE OF FUSE CLIP FOR VACUUM PICK AND PLACE

<b>KEYSTONE ELECTRONICS CORP.</b>			
www.keyelco.com • NEW HYDE PARK, NY 11040 • Tel (516) 328-7500			
PART NAME			
SM UNIVERSAL AUTO FUSE ON TAPE AND REEL			
MATERIAL			
AS NOTED			
FINISH		DRN BY	DATE
AS NOTED		NT	2.10.16
		APP'D	SCALE
		RH	X
TOLERANCES	INCH	[MM]	CODE
DECIMAL	± .015	[± 0.38]	C
ANGULAR	± 1°		
UNLESS OTHERWISE SPECIFIED			
DWG NO.		<b>3586KTR</b>	

DATE	DESCRIPTION	REV.