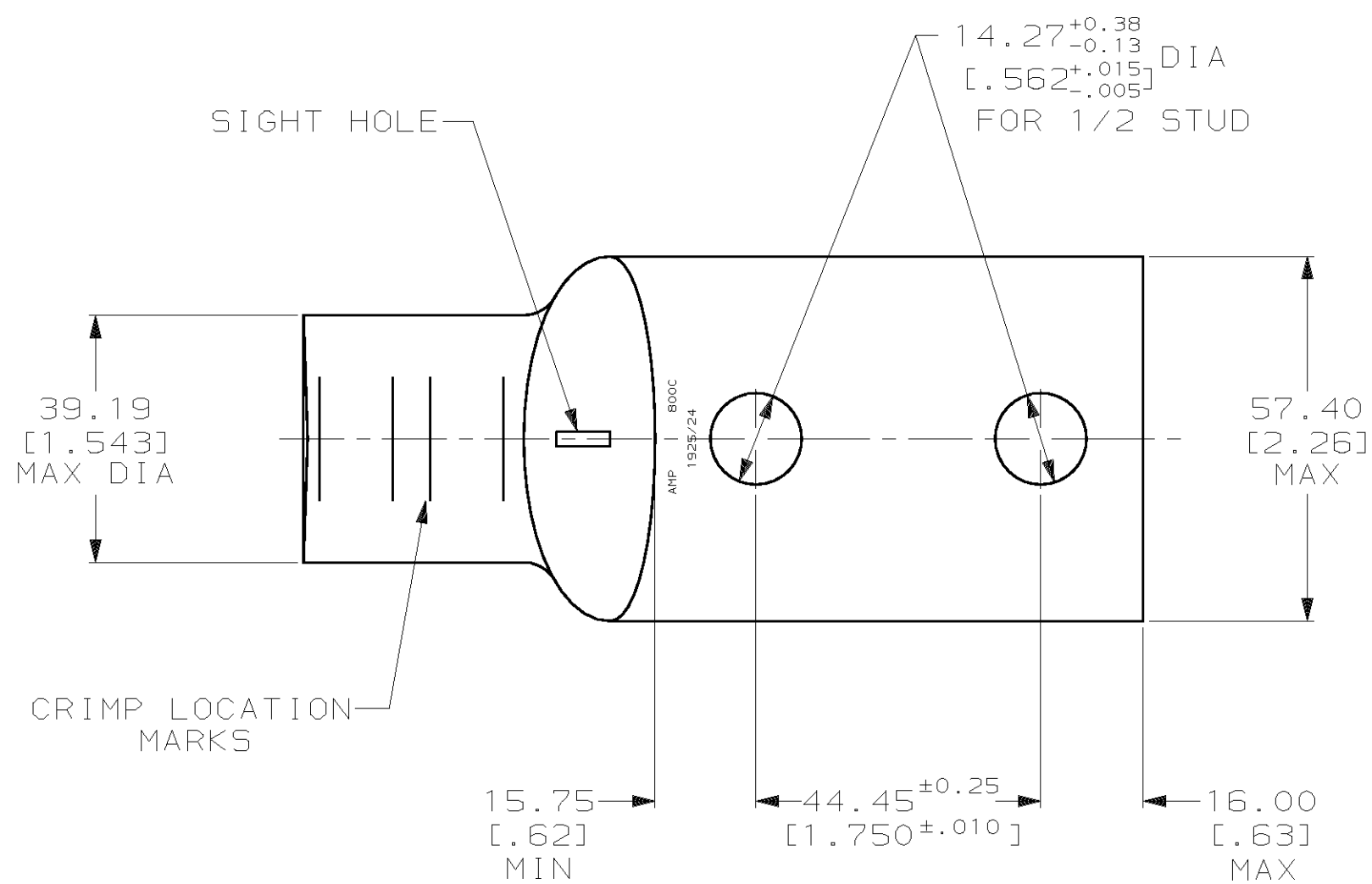
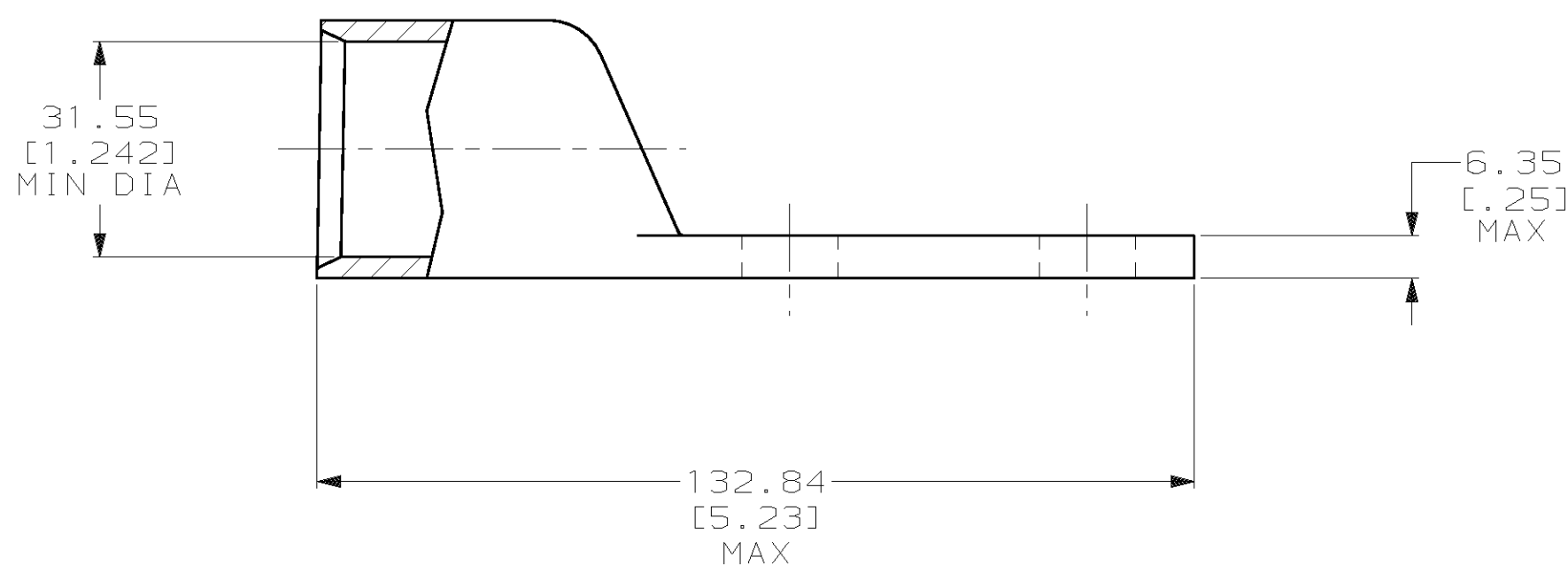


THIS DRAWING IS UNPUBLISHED. RELEASED FOR PUBLICATION ,19 .  
 © COPYRIGHT 19 BY AMP INCORPORATED. ALL INTERNATIONAL RIGHTS RESERVED.

LOC		DIST		ZONE		LTR		REVISIONS		DATE	APPD
G	86	P	F					E	REV PER 0G3A-0561-01	09OCT02	JR/MS



- 1 CIRCULAR MIL RANGE: 750-850 MCM
- 2 TIN PL 0.00381 [0.00150] MIN THK PER ASTM B 545
- 3 UNPLATED



		3		327292-4	
		2		327292	
FINISH		PART NO			
DO NOT SCALE PRINT. UNLESS SPECIFIED DIMENSIONS IN mm [INCHES] TOLERANCES ON : 2 PLC DEC ± 0.51 [0.020] 3 PLC DEC ± - ANGLES ± - MATERIAL ANNEALED COPPER ASTM B-75 FINISH SEE NOTES		DR 04/05/90 DK SCHRUM		AMP INCORPORATED Harrisburg, Pa. 17105	
		CHK 25JAN95 MS FEHER			
		APPD 25JAN95 WJ VOCKROTH		NAME	
APPD 25JAN95 TL SHUTTER		PRODUCT SPEC		TERMINAL, AMPPOWER™ WIRE SIZE: 800 MCM	
APPLICATION SPEC		SCALE		DRAWING NO	
-		C 1:1		327292	
WEIGHT .821 LB		CAGE CODE		SHEET	
		00779		1 OF 1	

**METRIC**