

ITEM	PART#	DESCRIPTION	QTY	UOM
A	19092027	.093 NYLON HOUSING 319102P201	1	PC
B	2092101	093 Male Term Chain Brs Tin 14-20	2	PC
C	--	PAPER PRINTED PAPER WHITE	1	PC

FROM	TO	DESCRIPTION	COLOR
A1	--	1X14AWG DISC PVC BK UL1015 HOOKUP	BLACK
A2	--	1X14AWG DISC PVC BK UL1015 HOOKUP	BLACK

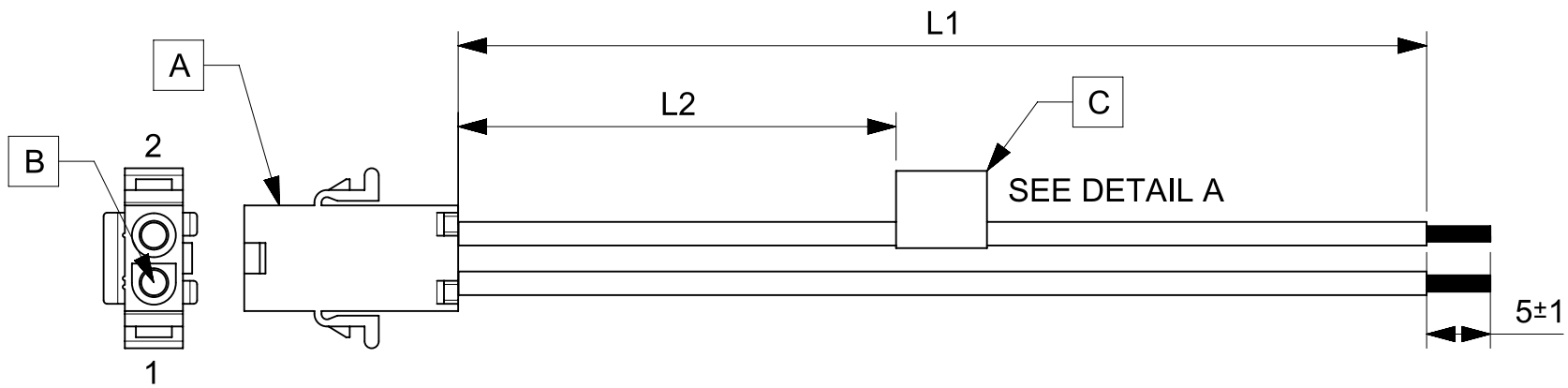


TABLE				
PART NUMBER	L1	L2	TITLE	
2162931021	150±8	63 REF	STANDARD .093 2 CIRCUIT P TO S 150MM	
2162931022	300±10	138 REF	STANDARD .093 2 CIRCUIT P TO S 300MM	
2162931023	600±10	288 REF	STANDARD .093 2 CIRCUIT P TO S 600MM	

**NOTES**

1. Connector view shown is from mating side.
2. Free ends must be stripped, twisted & tinned. The length of tinning is 5±1mm. Tinning dia must be 2.4mm Max.
3. Label text must be 2mm max. in height with Arial font.
4. Label must be wrapped in Flag type on a single cable.

MOLEX P/N  
MOLEX  
BATCH WK/YR  
DETAIL A

REVISION			
DATE	REV	DESCRIPTION	CHANGER
2020/06/22	A	INITIAL RELEASE	ARAJU

FUNCTIONAL SYMBOLS $\frac{F}{A} = 0$ $\frac{F}{E} = 0$ $\frac{F}{P} = 0$ DIVISIONAL SYMBOLS	THIS DRAWING CONTAINS INFORMATION THAT IS PROPRIETARY TO MOLEX ELECTRONIC TECHNOLOGIES, LLC AND SHOULD NOT BE USED WITHOUT WRITTEN PERMISSION		CURRENT REV DESC:			
	DIMENSION UNITS	SCALE	GENERAL TOLERANCES (UNLESS SPECIFIED)			
	mm	NTS	ANGULAR TOL ± °			
	4 PLACES ±		3 PLACES ±			
3 PLACES ±		2 PLACES ±		EC NO: 643258	PRODUCT CUSTOMER DRAWING DOCUMENT NUMBER: 2162931021 DOC TYPE: PSD DOC PART: 000 REVISION: A	
2 PLACES ±		1 PLACE ±		DRWN: ARAJU 2020/06/22		
1 PLACE ±		0 PLACES ±		CHK'D: RDESAI01 2020/08/12		
DRAFT WHERE APPLICABLE MUST REMAIN WITHIN DIMENSIONS		THIRD ANGLE PROJECTION		APPR: RDESAI01 2020/08/12		
DRAFT WHERE APPLICABLE MUST REMAIN WITHIN DIMENSIONS		DRAWING	SERIES	MATERIAL NUMBER	CUSTOMER	SHEET NUMBER
		A4-SIZE	216293	SEE TABLE	GENERAL MARKET	1 OF 1