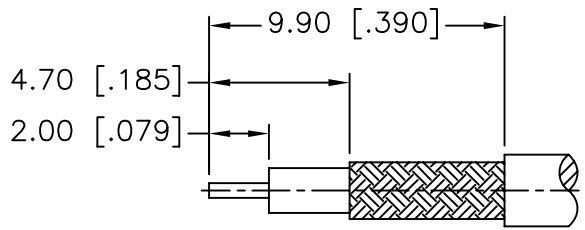
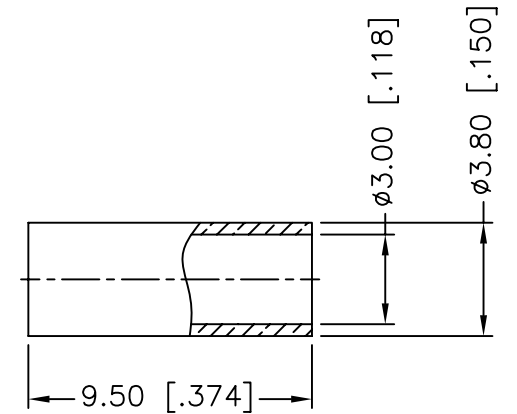
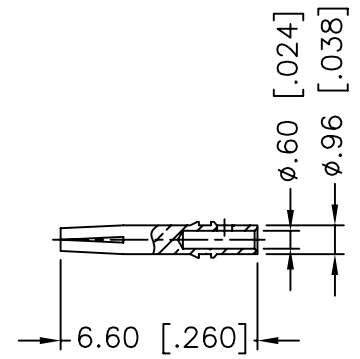
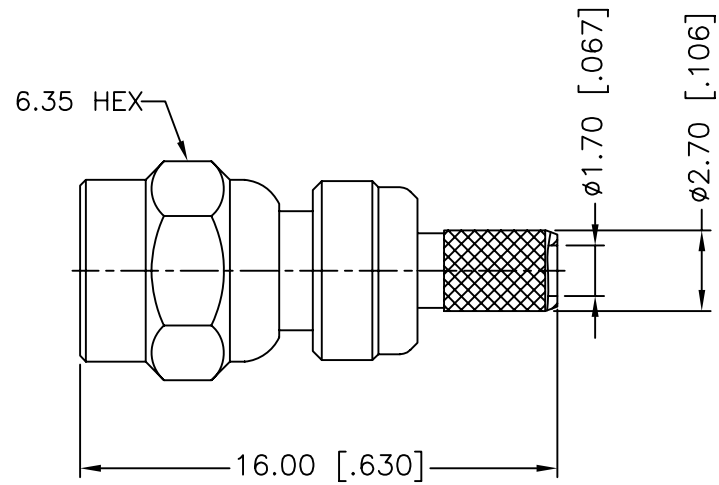
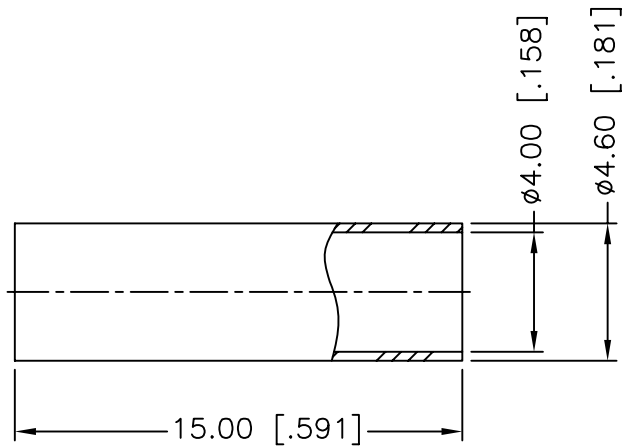


REV.	DATE	ECR NO.	DESCRIPTION
NC	08/19/09	XXXXXX	INITIAL RELEASE



RECOMMENDED
CABLE STRIPPING DIM'S



- NOTES:
1. CRIMPED FERRULE
HEX CRIMP SIZE .128"
 2. CONTACT PIN TO SOLDER

8	HEAT SHRINK TUBING			1
7	FERRULE	COPPER	NICKEL	1
6	CONTACT PIN	BERYLLIUM COPPER	GOLD	1
5	BARREL	BRASS	NICKEL	1
4	INSULATOR	PTFE	NATURAL	1
3	INSULATOR	PTFE	NATURAL	1
2	BODY	BRASS	NICKEL	1
1	SHELL	BRASS	NICKEL	1
	DESCRIPTION	MATERIAL	FINISH	QTY

UNLESS OTHERWISE SPECIFIED DIMENSIONS ARE IN MILLIMETERS. DIMENSIONS IN [] ARE IN INCHES AND FOR CUSTOMER REFERENCE ONLY.

UNLESS OTHERWISE SPECIFIED TOLERANCES FOR MILLIMETERS ARE:
0.5 - 8mm ± 0.20mm
8 - 30mm ± 0.40mm
30 - 120mm ± 0.50mm

UNLESS OTHERWISE SPECIFIED TOLERANCES FOR INCHES ARE:
.020 - .315 = ± 0.007"
.315 - 1.180 = ± 0.015"
1.180 - 4.724 = ± 0.020"

DO NOT SCALE DRAWING

APPROVALS	DATE
DRAWN J.CHENG	08/19/09
CHECKED	
ISSUED	
SHEET 1 OF 1	
CAD FILE	C:/CONNEX/152101.DWG

Amphenol Connex

PART DESCRIPTION
**SMC CRIMP PLUG
(FOR RG-174/U, 188A/U, 316/U)**

PART NO.
152101

DWG. NO.	152101.DWG	REV.	NC	SIZE	A	SCALE	NA
----------	------------	------	----	------	---	-------	----