

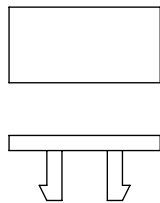
TABLE 1

MOLEX P/N	ENG. NO.	CABLE LENGTH (mm)	LED
1202470010	BEB801P-FBW-003	300	YES
1202470011	BEB801P-FBW-02	2000	YES
1202470012	BEB801P-FBW-05	5000	YES
1202470013	BEB801P-FBW-10	10000	YES
1202470014	BEB801P-FBW-15	15000	YES
1202470015	BEB801P-FBW-20	20000	YES
1202470034	BEB8010-FBW-05	5000	NO
1202470035	BEB8010-FBW-10	10000	NO
1202470036	BEB8010-FBW-15	15000	NO

TABLE 2

ITEM	COMPONENT	MATERIAL	FINISH
1	INSERT	TPU	BLACK
2	CONTACT SOCKET	COPPER ALLOY	GOLD OVER NICKEL
3	O-RING	VITON	RED
4	RECEPTACLE SHELL	BRASS	NICKEL PLATED
5	HOUSING	PBT	BLACK
6	CABLE	TPU	BLACK
7	LABEL	ABS	WHITE
8	LABLE ADHESIVE	PE	WHITE
9	CABLE PLATE	PBT	BLACK
10	LED	NO LED = PA	BLACK
		WITH LED = PA	TRANSPARENT
11	RESIN	EPOXY	TRANSPARENT

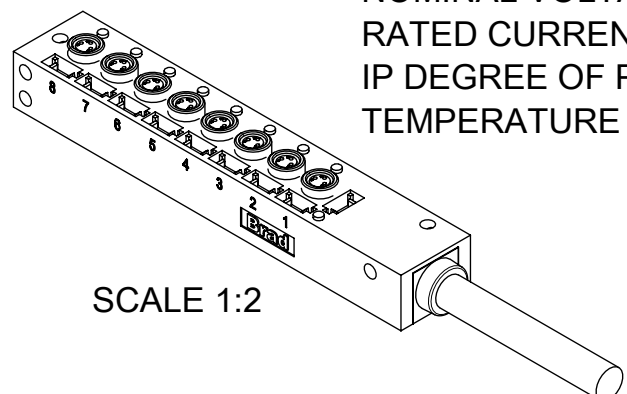
SCALE 2:1



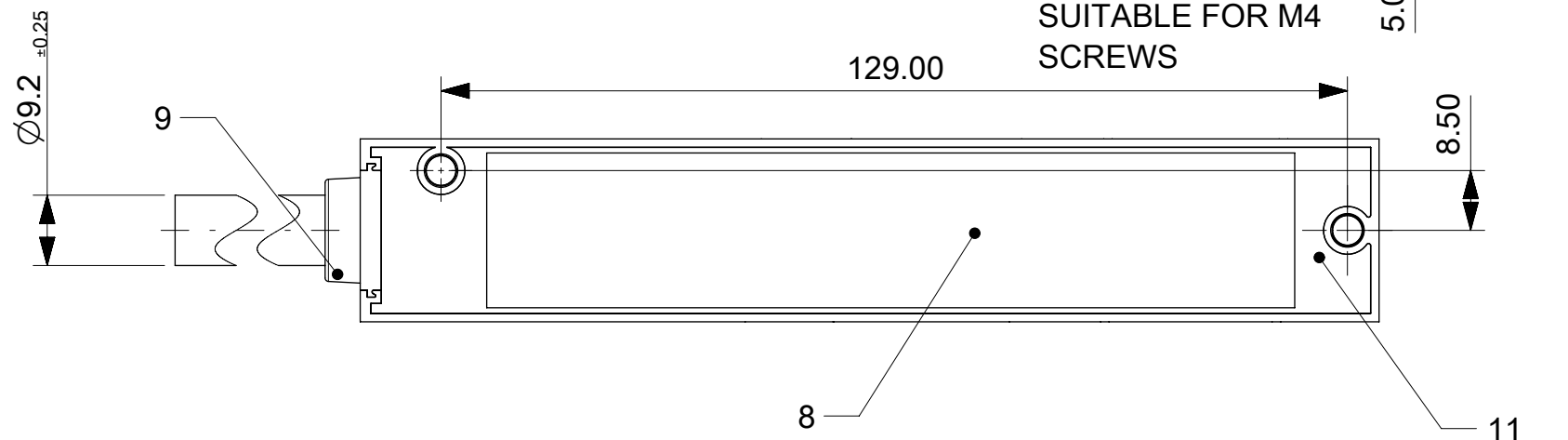
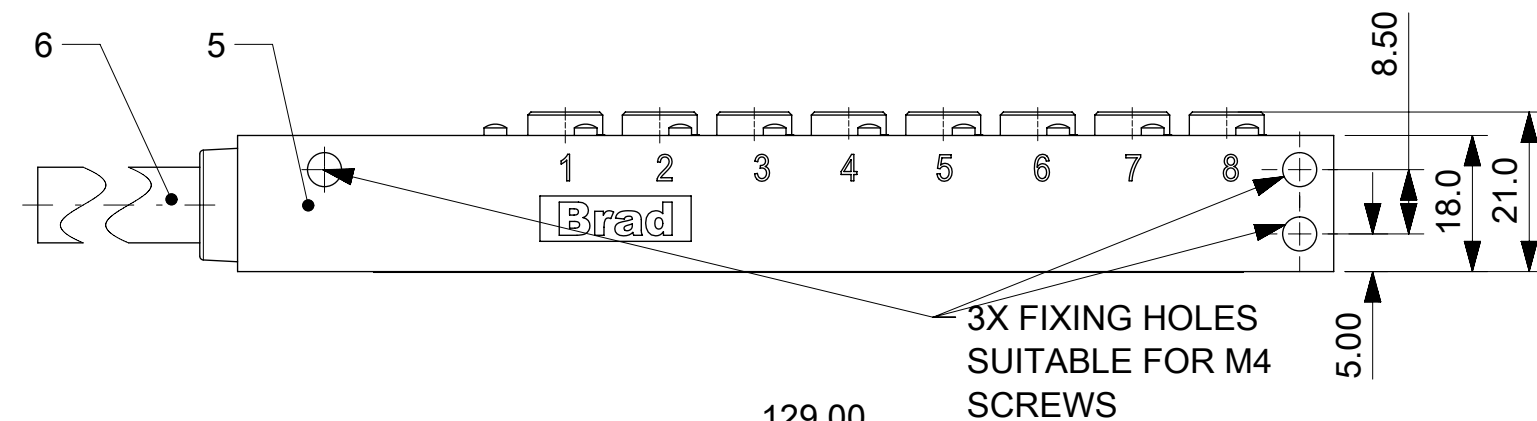
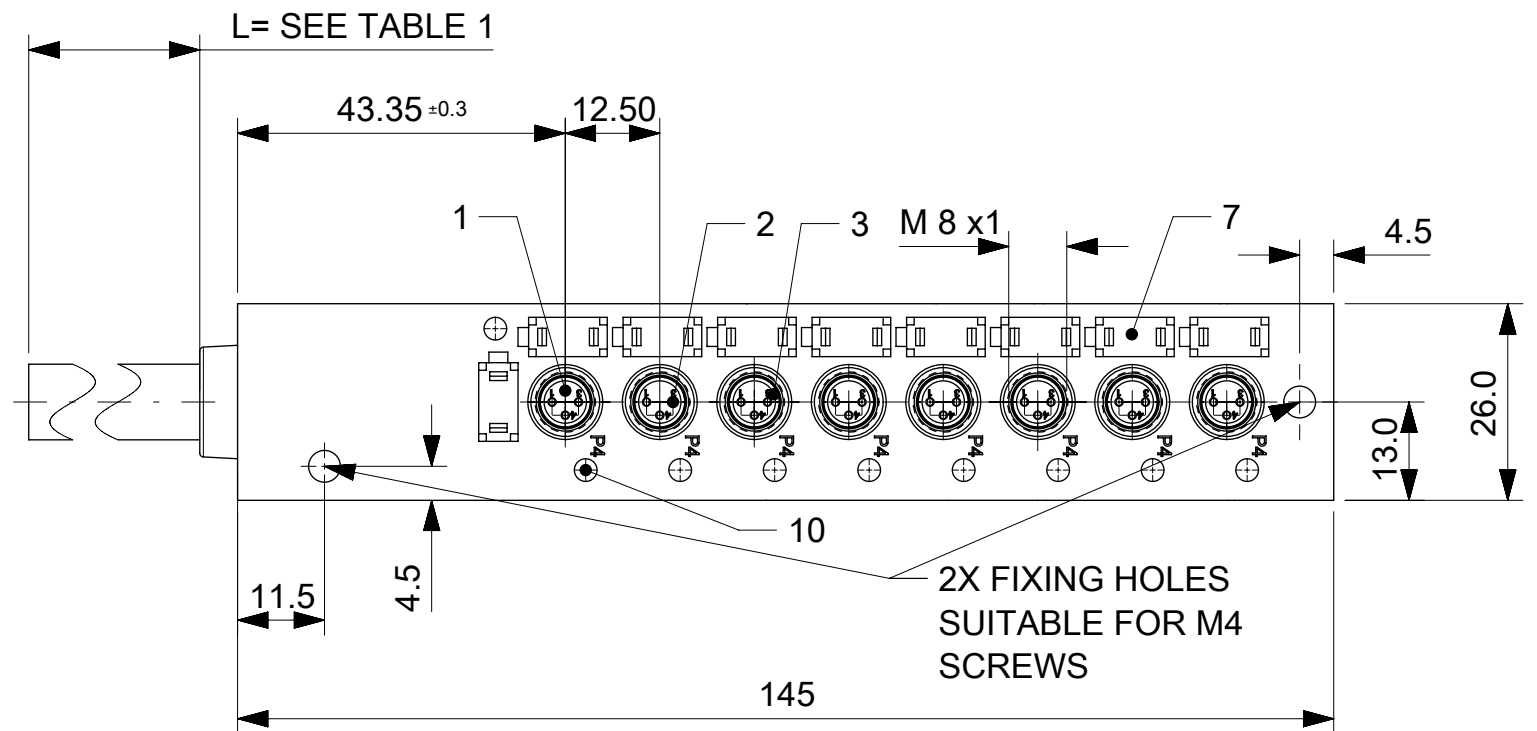
LABEL
9x packed in a bag.

GENERAL CHARACTERISTICS:

NOMINAL VOLTAGE: 24 V DC
 RATED CURRENT: 2 A PER PORT / 6 A MAX: TOTAL
 IP DEGREE OF PROTECTION: IP 68
 TEMPERATURE RANGE: -25°C to + 85°C



SCALE 1:2



CABLE LENGTH TOLERANCES

LENGTH	TOLERANCE
0m-1m	+40 mm
>1m-5m	+60 mm
>5m-10m	+80 mm
>10m-20m	+140 mm
>20m-30m	+160 mm
>30m	+1% length

FUNCTIONAL SYMBOLS ∇A = 0 ∇E = 0 ∇F = 0	THIS DRAWING CONTAINS INFORMATION THAT IS PROPRIETARY TO MOLEX ELECTRONIC TECHNOLOGIES, LLC AND SHOULD NOT BE USED WITHOUT WRITTEN PERMISSION	CURRENT REV DESC: ADDED CABLE TOLERANCE TABLE	
	DIMENSION UNITS: mm	SCALE: 1:1	
DIVISIONAL SYMBOLS	GENERAL TOLERANCES (UNLESS SPECIFIED)	EC NO: 699789	
	ANGULAR TOL ± °	4 PLACES ±	DRWN: MDHARMANTI 2022/03/11
	3 PLACES ±	2022/03/17	CHK'D: RSILLER
	2 PLACES ± 0.2	2022/03/17	APPR: RSILLER
	1 PLACE ± 0.3		INITIAL REVISION:
	0 PLACES ± 0.5		DRWN: ULETTENMEIER 2015/01/20
	DRAFT WHERE APPLICABLE MUST REMAIN WITHIN DIMENSIONS	THIRD ANGLE PROJECTION	APPR: RSILLER 2015/04/22
		DRAWING: A3-SIZE	SERIES: 120247
		MATERIAL NUMBER: SEE TABLE 1	CUSTOMER: GENERAL MARKET
		DOCUMENT NUMBER: 1202470010	DOC TYPE: PSD
		DOC PART: 000	REVISION: B1
		SHEET NUMBER: 1 OF 2	

