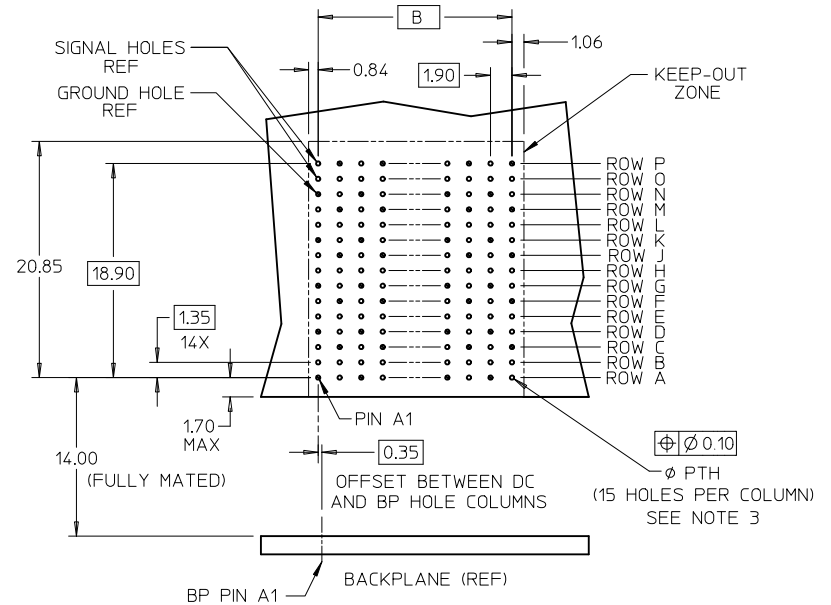
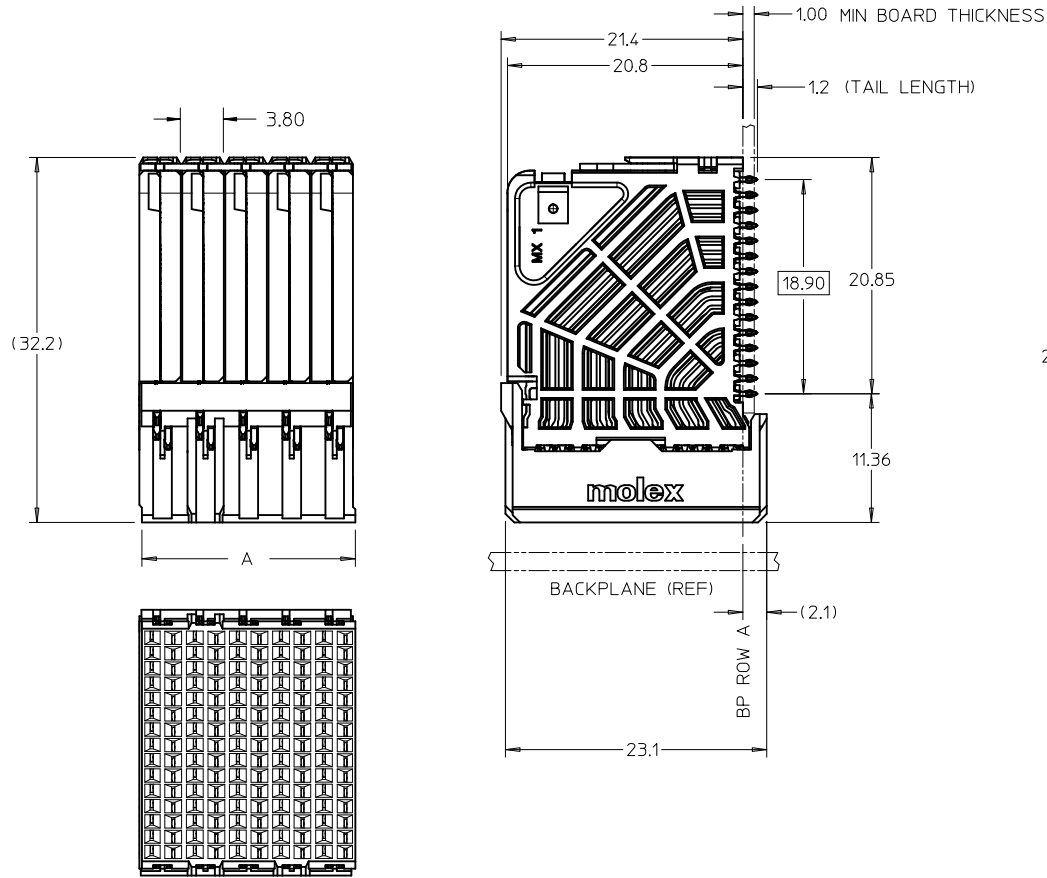
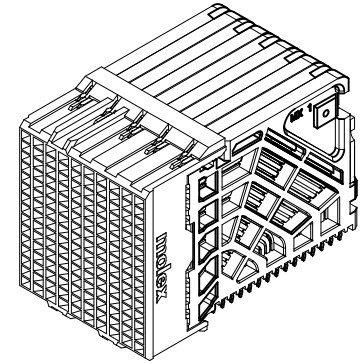


MATERIAL NUMBER	# OF COLUMNS	# OF DIFF PAIR	DIM "A" MAX	DIM "B"	PTH ϕ
76780-*010	10	50	19.00	17.10	0.46 \pm 0.05
76780-*016	16	80	30.40	28.50	0.46 \pm 0.05
76780-*020	10	50	19.00	17.10	0.39 \pm 0.04
76780-*026	16	80	30.40	28.50	0.39 \pm 0.04

76780-*0**

0 = OPEN TIN-LEAD
1 = OPEN LEAD-FREE

OF COLUMNS
10 = 10 COL 0.46 PTH
16 = 16 COL 0.46 PTH
20 = 10 COL 0.39 PTH
26 = 16 COL 0.39 PTH



DAUGHTERCARD HOLE PATTERN
(CONNECTOR SIDE)

NOTES:

1. MATERIALS: HOUSING - LIQUID CRYSTAL POLYMER (LCP), GLASS-FILLED, UL94V-0
TERMINALS - HIGH PERFORMANCE COPPER ALLOY
2. FINISH: 30 μ IN MIN GOLD IN CONTACT AREA. SELECTIVE TIN OR SELECTIVE TIN-LEAD ON PCB TAILS. NICKEL OVERALL.
3. REFER TO MOLEX PRODUCT SPEC PS-76060-999 FOR PERFORMANCE SPECIFICATIONS AND ADDITIONAL PCB INFORMATION.
4. EACH SIGNAL WAFER CONTAINS 2 COLUMNS OF TERMINALS.
5. PRODUCT IS PACKAGED PER PK-70873-611.
6. THIS PART CONFORMS TO CLASS B REQUIREMENTS OF COSMETIC SPEC PS-45499-002.
7. REFER TO MOLEX SALES DRAWING SD-76775-001 FOR THE MATING HEADERS.

BEEFY WAFER EC NO: UCP2010-2161 DRWN:TELO 2010/02/25 CHKD: 2010/03/05 APPR:JLAURX 2010/03/08 REVISIONS	QUALITY SYMBOLS ▽=0 ▽=0	GENERAL TOLERANCES (UNLESS SPECIFIED) mm INCH 4 PLACES ± --- ± --- 3 PLACES ± --- ± --- 2 PLACES ± 0.13 ± --- 1 PLACE ± 0.25 ± --- ANGULAR ± 1/2°	DIMENSION STYLE MM ONLY DRAWN BY DATE JLAURX 2008/06/16 CHECKED BY DATE TELO 2008/06/16 APPROVED BY DATE JLAURX 2010/03/05	SCALE 3:1 DESIGN UNITS METRIC THIRD ANGLE PROJECTION	TITLE IMPACT 85 OHM, 5 PAIR DAUGHTERCARD MODULE UNGUIDED SALES DRAWING MOLEX MOLEX INCORPORATED DOCUMENT NO. SD-76780-001 SHEET NO. 1 OF 1	
	DRAFT WHERE APPLICABLE MUST REMAIN WITHIN DIMENSIONS		MATERIAL NO. SEE CHART SIZE C THIS DRAWING CONTAINS INFORMATION THAT IS PROPRIETARY TO MOLEX INCORPORATED AND SHOULD NOT BE USED WITHOUT WRITTEN PERMISSION			