

MATERIALS AND FINISHES

BODY: BRASS
PLATED TRI-M

CONTACT: BRASS
PLATED SILVER

INSULATOR: TEFLON

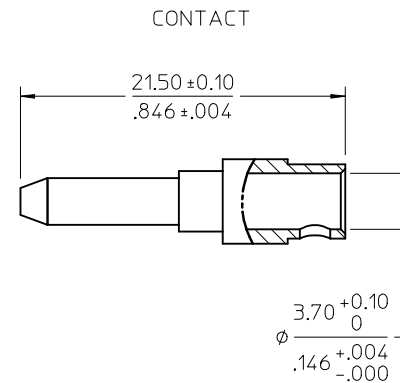
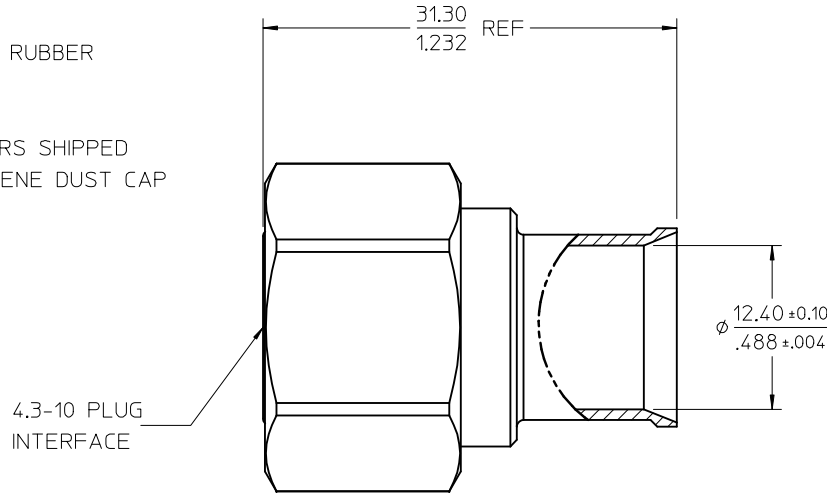
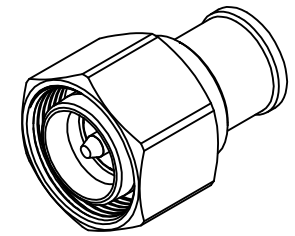
COUPLING NUT: BRASS
PLATED NICKEL

O-RING: SILICONE RUBBER

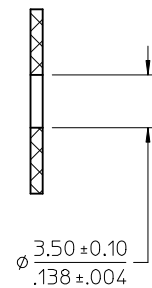
NOTE: CONNECTORS SHIPPED
WITH POLYETHYLENE DUST CAP
SEE TABLE

PERFORMANCE REQUIREMENTS:

FREQUENCY RANGE: 0-6GHz
IMPEDANCE: 50 OHM
WITHSTAND VOLTAGE(AC): 2500V @0.5mA
VSWR: ≤1.10(0-3GHz)
PIM3(2x20W): ≤-165dBc@1800MHz
WATER-PROOF: IP68 WHEN MATED



INSULATOR SPACER

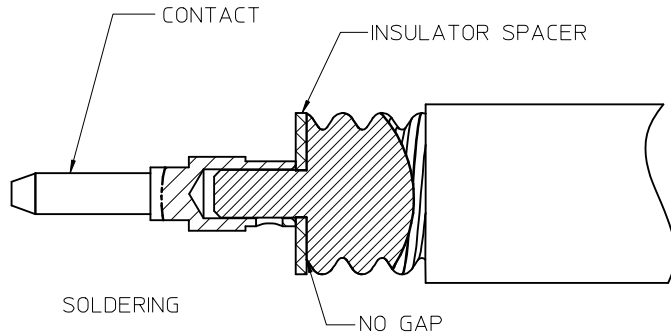


73162-6152	YES	ONE PIECE PER CARTON
73162-6151	NO	ONE PIECE PER CARTON
73162-6150	NO	BLANK
PART NO.	DUST CAP	PACKAGING

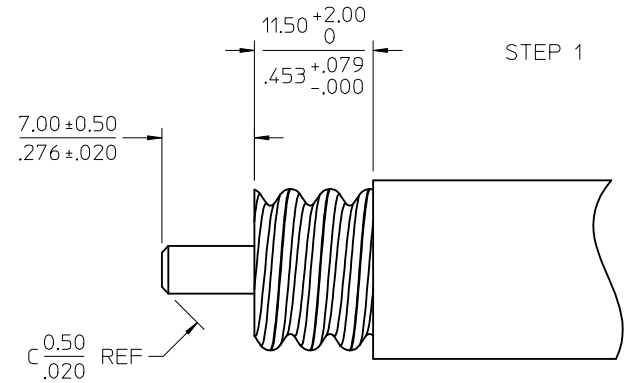
IEC61169-54	INTERFACE
SPECIFICATION	DESCRIPTION

CHG: ADD NEW PN. 73162-6152	EC NO: URF2017-0141 DRWN:YHUANG11 2016/09/20 CHKD: APPR:MYE08 2016/09/30	DESCRIPTION	QUALITY SYMBOLS	GENERAL TOLERANCES (UNLESS SPECIFIED)		DIMENSION STYLE	SCALE	DESIGN UNITS	THIRD ANGLE PROJECTION
				mm	INCH	MM/IN	METRIC	☉	
A2	REV	DRAFT WHERE APPLICABLE MUST REMAIN WITHIN DIMENSIONS	ANGULAR ± 2°	4 PLACES	± ---	± ---	DRAWN BY YHUANG11	DATE 2015/12/03	TITLE 4.3-10 PLUG STR,50 OHM FOR 1/2SF CA, SOLDERING 4.3-10-PS,WRENCH-TIGHT
				3 PLACES	± ---	± ---		CHECKED BY MXU11	
				2 PLACES	± ---	± ---	APPROVED BY MYE08	DATE 2016/02/01	DOCUMENT NO. SD-73162-615
				1 PLACE	± ---	± ---		SHEET NO. 1 OF 2	
				0 PLACE	± ---	± ---	MATERIAL NO. SEE TABLE		
THIS DRAWING CONTAINS INFORMATION THAT IS PROPRIETARY TO MOLEX INCORPORATED AND SHOULD NOT BE USED WITHOUT WRITTEN PERMISSION									

STEP 2

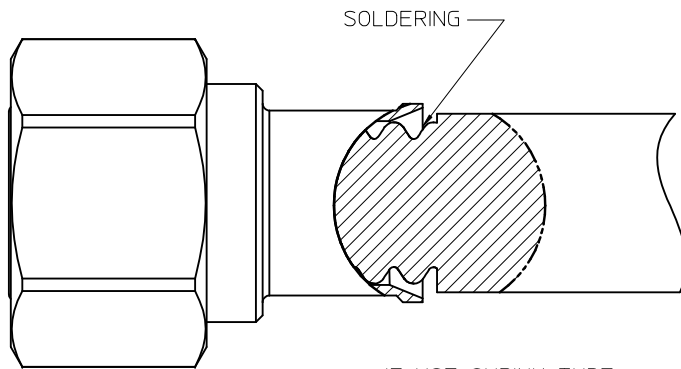


STEP 1



1/2SF CABLE
RECOMMENDED STRIPPING DIMENSION

STEP 3



IF USE SHRINK TUBE
PLACE IT ONTO CABLE BEFORE
SOLDER CONNECTOR BODY TO
CABLE OUTER CONDUCTOR

CHG: SEE SHEET 1 EC NO: URF2017-0141 DRWN:YHUANG11 2016/09/20 CHKD: APPR:MYE08 2016/09/30	QUALITY SYMBOLS	GENERAL TOLERANCES (UNLESS SPECIFIED)	DIMENSION STYLE	SCALE	DESIGN UNITS	THIRD ANGLE PROJECTION
	▽=0	mm INCH	MM/IN		METRIC	
	▽=0	4 PLACES ± --- ± ---	DRAWN BY DATE	TITLE		
	▽=0	3 PLACES ± --- ± ---	CHECKED BY DATE			
		ANGULAR ± 2°	APPROVED BY DATE			
		DRAFT WHERE APPLICABLE MUST REMAIN WITHIN DIMENSIONS	MATERIAL NO.	DOCUMENT NO.		SHEET NO.
A2			SEE TABLE			2 OF 2
			THIS DRAWING CONTAINS INFORMATION THAT IS PROPRIETARY TO MOLEX INCORPORATED AND SHOULD NOT BE USED WITHOUT WRITTEN PERMISSION			

4.3-10 PLUG STR,50 OHM
FOR 1/2SF CA, SOLDERING
4.3-10-PS,WRENCH-TIGHT

molex

SD-73162-615