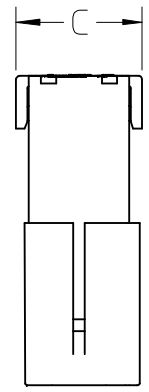


MATERIAL NUMBER	CKT SIZE	INSULATION DIA (MM)	SEAL COLOR	DIM A	DIM C
46065-0032	2	2.52 / 2.81	ORANGE	14.4	16.7
46065-0033 *	3	2.52 / 2.81	ORANGE	18.6	20.9
46065-0034 *	4	2.52 / 2.81	ORANGE	22.8	25.1

* = NOT TOOLED



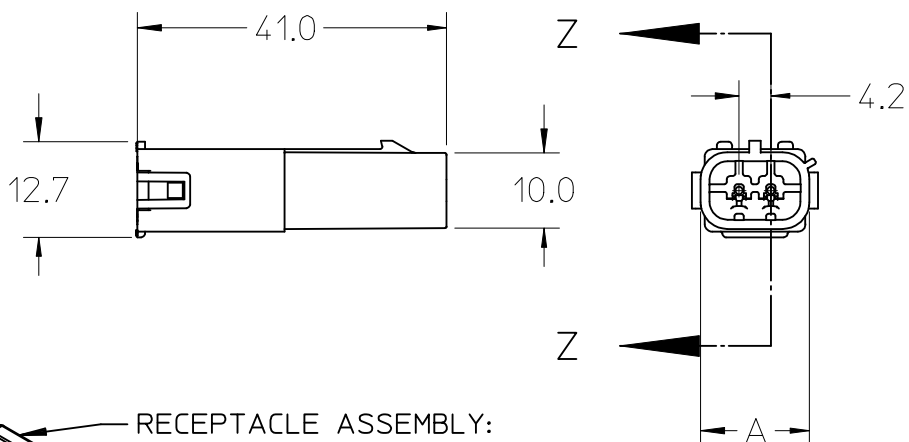
NOTES:

1. MATERIALS: PLUG HOUSING= POLYESTER: BLACK.
SEALS: SILICONE RUBBER - SEE CHART.
COVER: POLYESTER: BLACK
2. PRODUCT SPECIFICATION: PS-46064-001.
3. PACKAGING SPECIFICATION: PK-46065-001.
4. THIS ASSEMBLY ACCEPTS CRIMP TERMINALS:
46056-0002 (TIN)
46056-0003 (SELECTIVE GOLD)
5. SEE SHEET TWO FOR TERMINAL ORIENTATION.
6. MATES WITH RECEPTACLE ASSEMBLY NUMBER 46064-*

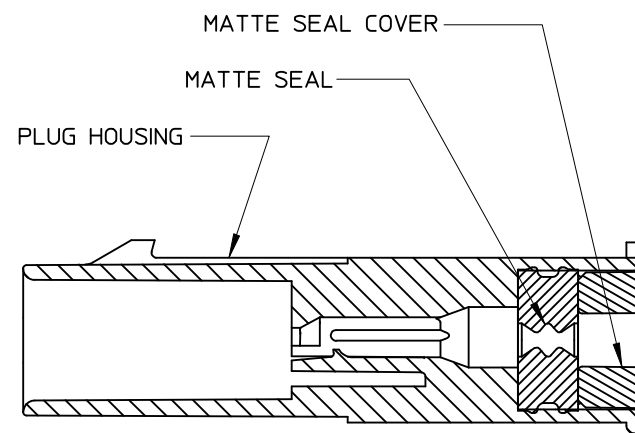
CRIMP ORIENTATION SYMBOL
SEE SHEET 2



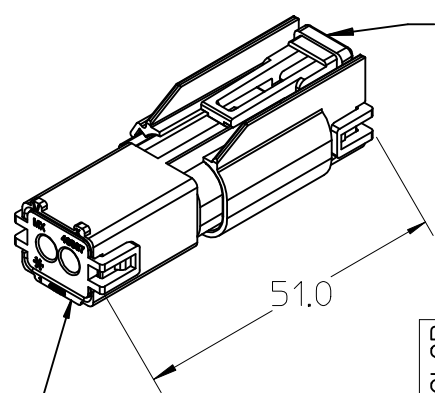
CIRCUIT NO. 1
IDENTIFICATION



RECEPTACLE ASSEMBLY:
46064-*



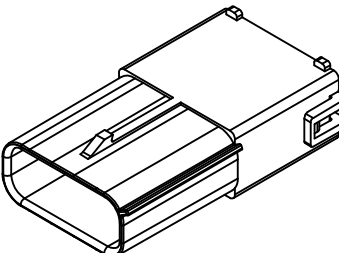
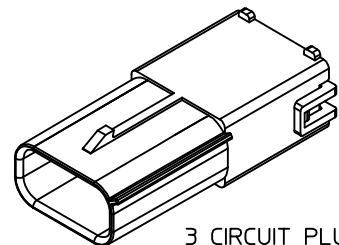
SECTION Z-Z
SCALE 2:1



PLUG ASSEMBLY:
46065-*

MATED ASSEMBLIES

UPDATE SEAL COLOR EC NO: UCP2013-5066 DRWN: NGUYEN 2013/05/24 CHKD: JBELL 2013/05/24 APPR: FSM/TH 2013/07/09	QUALITY SYMBOLS 	GENERAL TOLERANCES (UNLESS SPECIFIED)		DIMENSION STYLE MM ONLY		SCALE 1:1	DESIGN UNITS METRIC	THIRD ANGLE PROJECTION		
			mm	INCH	DRAWN BY BBWILSON	DATE	TITLE SEALED MINIFIT H20 PLUG ASSEMBLY			
		4 PLACES	± ---	± ---	CHECKED BY	DATE				
		3 PLACES	± ---	± ---	APPROVED BY		DATE			
		2 PLACES	± 0.25	± ---						
1 PLACE	± 0.38	± ---	MATERIAL NO. SEE CHART		DOCUMENT NO. SD-46065-001		SHEET NO. 1 OF 2			
0 PLACE	±	±	DRAFT WHERE APPLICABLE MUST REMAIN WITHIN DIMENSIONS		THIS DRAWING CONTAINS INFORMATION THAT IS PROPRIETARY TO MOLEX INCORPORATED AND SHOULD NOT BE USED WITHOUT WRITTEN PERMISSION					



PLUG TERMINAL
46056

MATTE SEAL COVER

MATTE SEAL

CRIMP ORIENTATION SYMBOL
SEE DETAIL1

DETAIL1
SCALE 4:1

TERMINALS TO BE INSERTED INTO
HOUSING WITH THE CRIMP SECTION
MATCHING THE CRIMP ORIENTATION
SYMBOL ON THE HOUSING.

SEE SHEET 1 EC NO: UCP2013-5066 DRWN: NGUYEN 2013/05/24 CHKD: JBELL 2013/05/24 APPR: FSM:TH 2013/07/09	QUALITY SYMBOLS = 0 = 0 = 0	GENERAL TOLERANCES (UNLESS SPECIFIED)		DIMENSION STYLE MM ONLY	SCALE 1:1	DESIGN UNITS METRIC	THIRD ANGLE PROJECTION	
		4 PLACES ± --- ± ---	mm INCH	DRAWN BY BBWILSON	DATE	TITLE SEALED MINIFIT H20 PLUG ASSEMBLY		
		3 PLACES ± --- ± ---		CHECKED BY	DATE	molex		
		2 PLACES ± 0.25 ± ---		APPROVED BY	DATE	MATERIAL NO. SEE CHART	DOCUMENT NO. SD-46065-001	SHEET NO. 2 OF 2
		1 PLACE ± 0.38 ± ---		ANGULAR ± 1/2°		THIS DRAWING CONTAINS INFORMATION THAT IS PROPRIETARY TO MOLEX INCORPORATED AND SHOULD NOT BE USED WITHOUT WRITTEN PERMISSION		
0 PLACE ± ±		DRAFT WHERE APPLICABLE MUST REMAIN WITHIN DIMENSIONS		SIZE 				