



520 Park East Blvd., New Albany, IN 47150 U.S.A
(812)-944-6733 / 1-800-SAMTEC9

Product Change Notification

1. ECR #: 191841
Notification #: 516

2. Date of Announcement: April 03, 2020

3. Series:

- LPHS - LPHS ASSEMBLY

4. Part #'s Affected

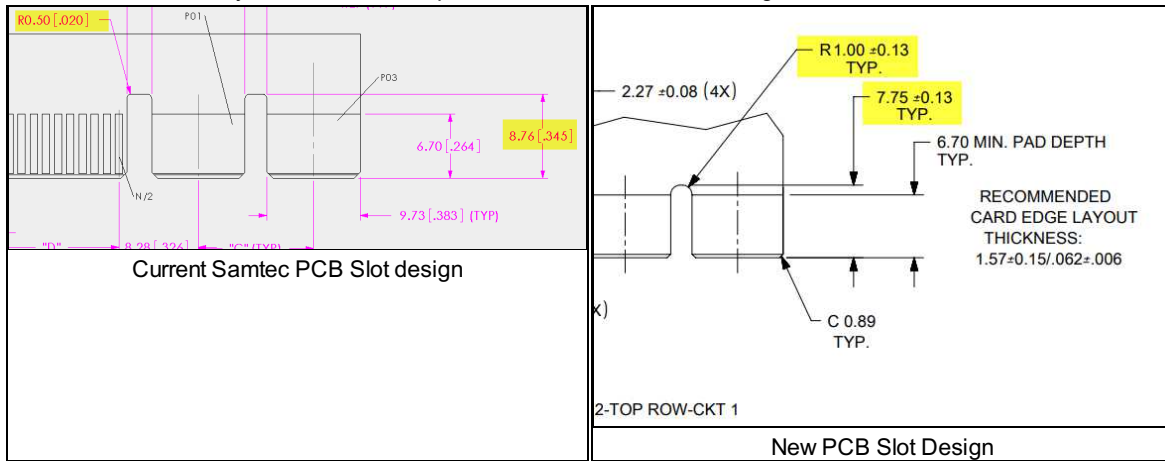
- LPHS

5. Description of Change:

Updating PCB card slot dimensions to create connector engagement design as a board stop.

6. Method of Identifying Change

PCB is manufactured by the customer, new print revision will control the changes.



7. Reason for Change:

Existing design allows the card to angle slightly after being fully mated if pressure is placed on one end of the card. This does not create a function issue as the angle created does not displace the pins from their original mating pads of the PCB. This will update the Samtec card design to match the current revision released by Molex. Both old and newly design cards will function within the same connector sets.

8. Impact of Change on Form, Fit, or Function:

- Form - Visual change decreasing current slot depth and increasing a radius. Does not affect existing design intent or function in the mated set.

9. Projected Implementation Date: April 03, 2020

Disclaimer

Please review the change notification details listed above for specific information regarding the nature and timing of the change. While Samtec has taken precautions to ensure this change is not detrimental to your application, each application can be unique and therefore customers should consider the effect of the change on their specific application.

Samtec has taken efforts to ensure that all users of this product who have requested change notifications have been informed. However, you should assume that this is the only notification that will be sent and you, as the recipient, must determine how to communicate this information to your organization(s) and customer(s) as appropriate. If you wish to opt out of receiving Samtec Engineering Change Notification emails, please contact CustomerECN@samtec.com. Due to technical progress, specifications are subject to change without notification and it is recommended to provide an alternative contact when opting out.

Please contact Samtec at CustomerECN@samtec.com for any questions related to this change.