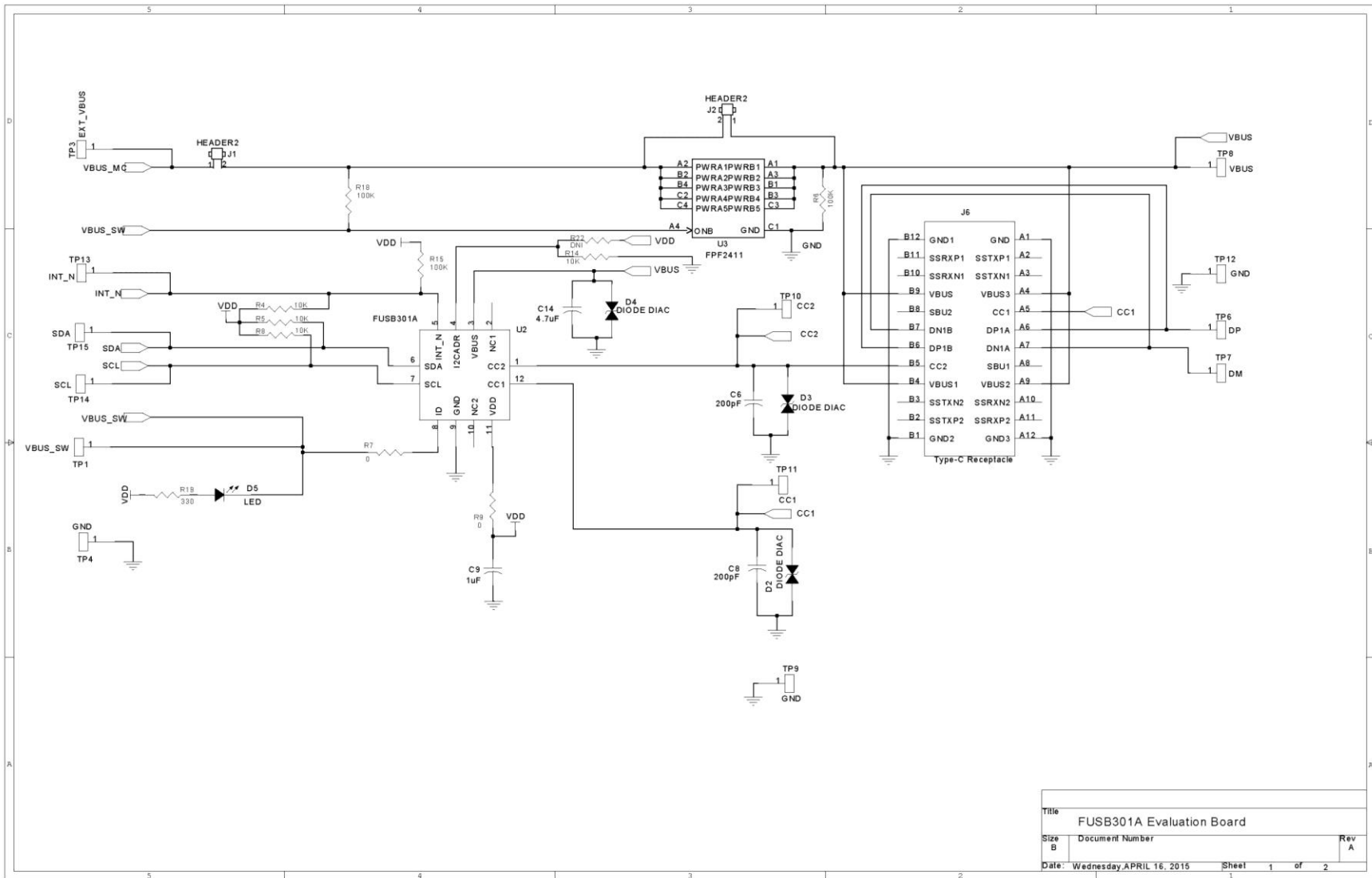
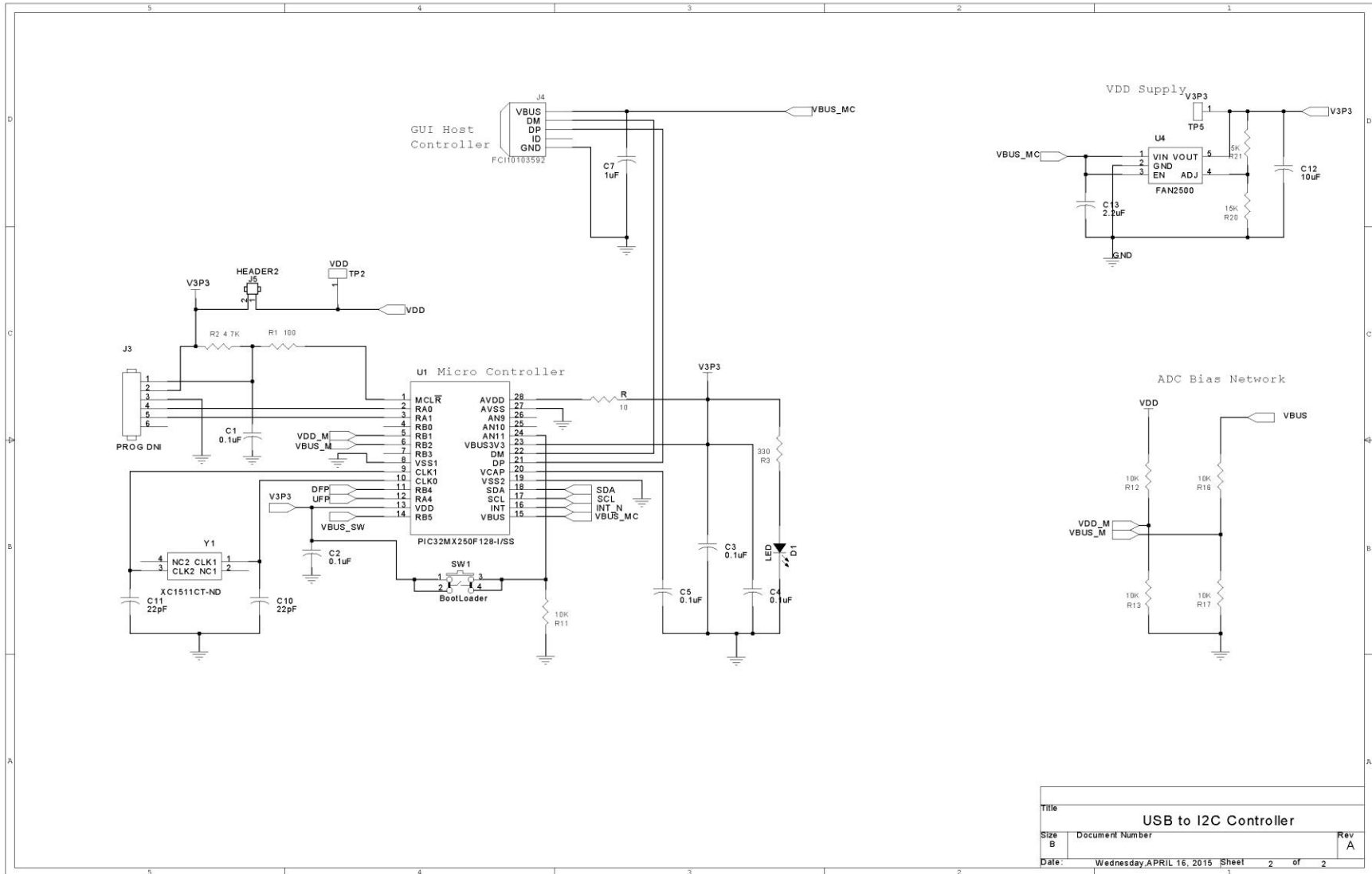


Schematic for the FUSB301AGEVB Evaluation Board





Title		
USB to I2C Controller		
Size	Document Number	Rev
B		A
Date:	Wednesday, APRIL 16, 2015	Sheet 2 of 2