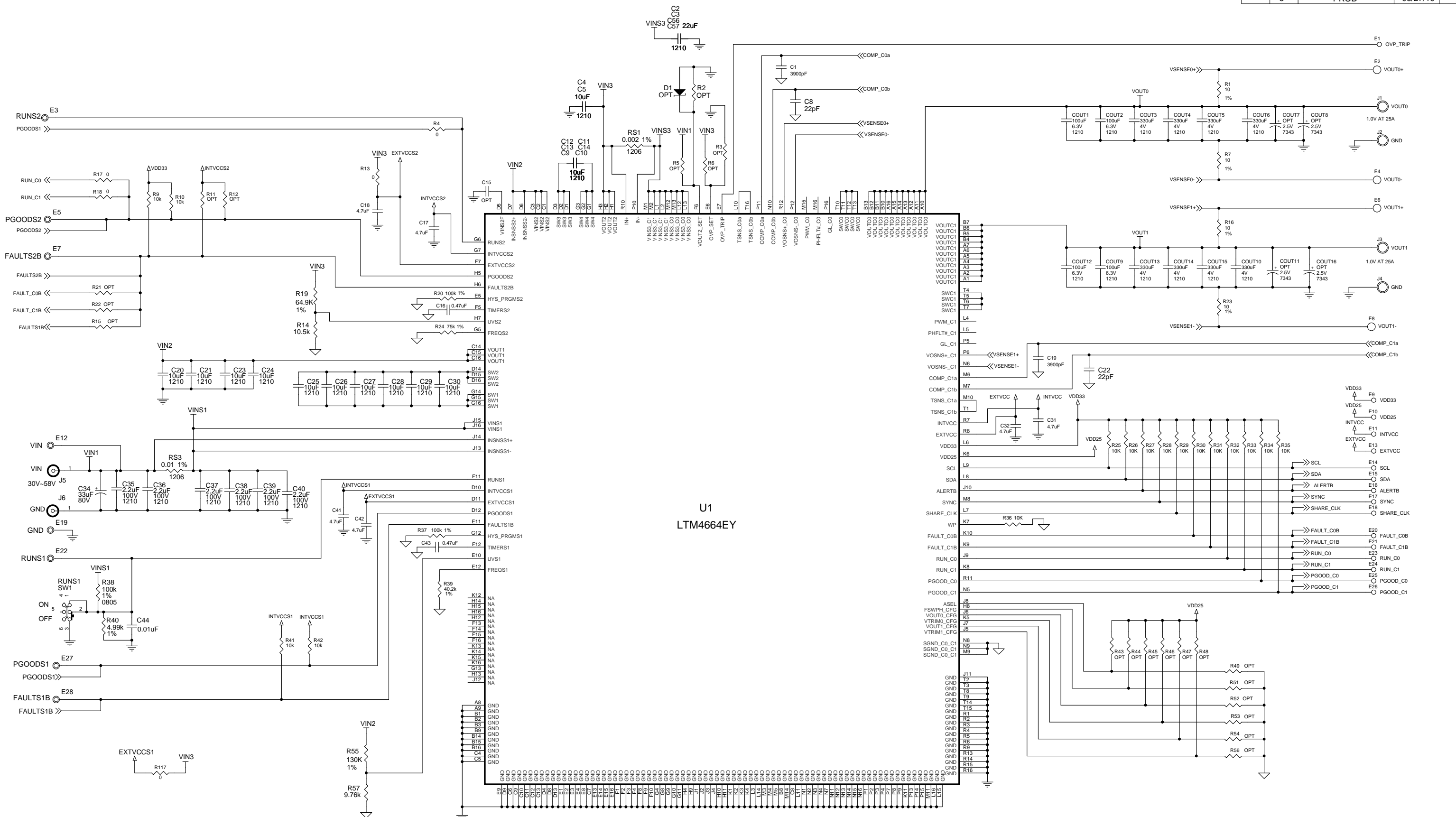
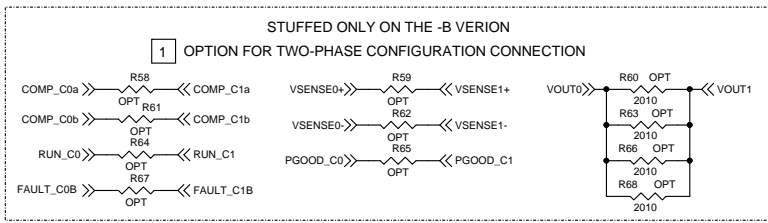


REVISION HISTORY				
ECO	REV	DESCRIPTION	DATE	APPROVED
	5	PROD	08/27/19	<i>JL</i>



VERSION	R58,R59,R61,R62,R64,R65,R67	R60,R63,R66,R68,R75	R16,R23
-A	NO STUFF	NO STUFF	0603 10 OHM
-B	0603 0 OHM	2010 0 OHM	NO STUFF



CUSTOMER NOTICE

ANALOG DEVICES INC. HAS MADE A BEST EFFORT TO DESIGN A CIRCUIT THAT MEETS CUSTOMER-SUPPLIED SPECIFICATIONS; HOWEVER, IT REMAINS THE CUSTOMER'S RESPONSIBILITY TO VERIFY PROPER AND RELIABLE OPERATION IN THE ACTUAL APPLICATION. COMPONENT SUBSTITUTION AND PRINTED CIRCUIT BOARD LAYOUT MAY SIGNIFICANTLY AFFECT CIRCUIT PERFORMANCE OR RELIABILITY. CONTACT ANALOG DEVICES INC. APPLICATIONS ENGINEERING FOR ASSISTANCE.

For ADI Customer Use Only

THIS CIRCUIT IS PROPRIETARY TO ANALOG DEVICES INC. AND SUPPLIED FOR USE WITH ANALOG DEVICES INC. PARTS.

APPROVALS

PCB DES. *JL*

APP ENG. *JL*

IC NO. **LTM4664EY**

SKU NO. **DC2672A**

SIZE: N/A SCALE = NONE DATE: Monday, October 07, 2019 SHEET 1 OF 3

ANALOG DEVICES

www.analog.com

1630 McCarthy Blvd. Milpitas, CA 95035

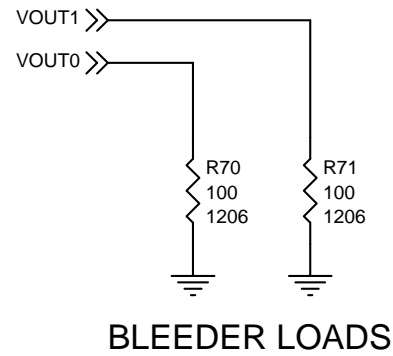
Phone: 1-408-432-1900

TITLE: DEMO CIRCUIT SCHEMATIC, 48V/54Vin, Dual 25A POL Converter with Power System Management

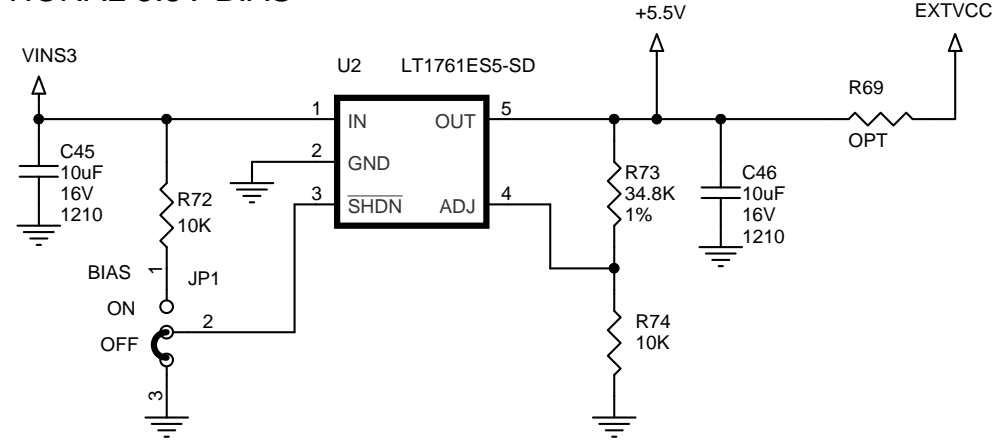
PCA BOM: 700-DC2672A_REV05

PCA ASSY: 705-DC2672A_REV05

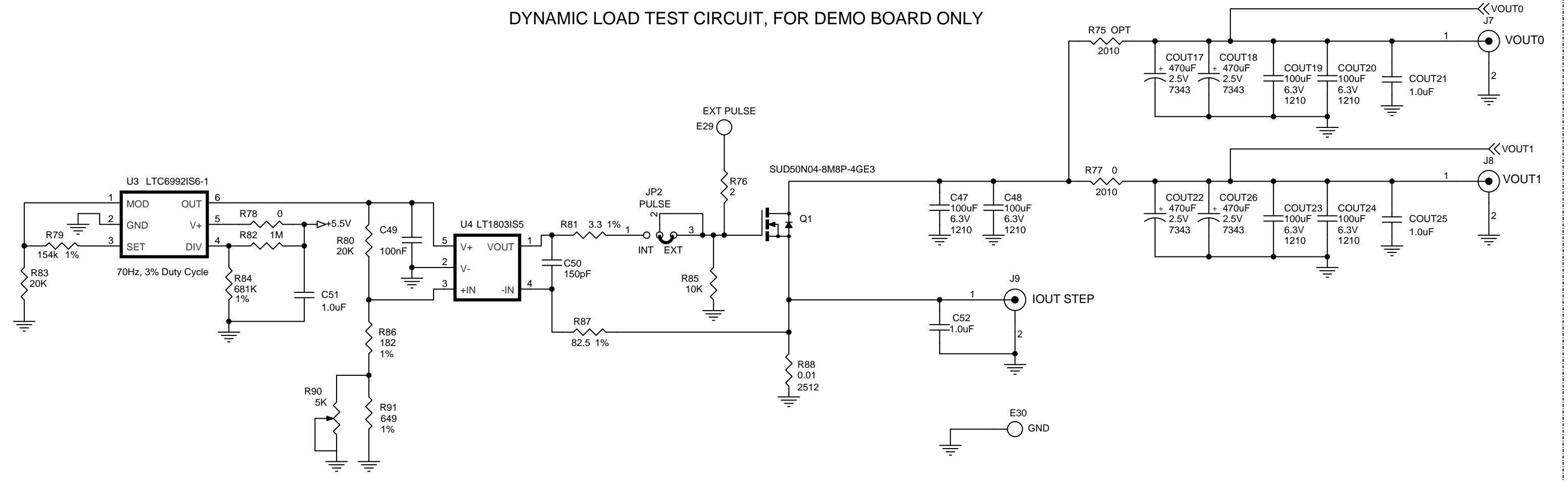
SCHEMATIC NO. AND REVISION: 710-DC2672A_REV05



OPTIONAL 5.5V BIAS



DYNAMIC LOAD TEST CIRCUIT, FOR DEMO BOARD ONLY



CUSTOMER NOTICE

ANALOG DEVICES INC. HAS MADE A BEST EFFORT TO DESIGN A CIRCUIT THAT MEETS CUSTOMER-SUPPLIED SPECIFICATIONS; HOWEVER, IT REMAINS THE CUSTOMER'S RESPONSIBILITY TO VERIFY PROPER AND RELIABLE OPERATION IN THE ACTUAL APPLICATION. COMPONENT SUBSTITUTION AND PRINTED CIRCUIT BOARD LAYOUT MAY SIGNIFICANTLY AFFECT CIRCUIT PERFORMANCE OR RELIABILITY. CONTACT ANALOG DEVICES INC. APPLICATIONS ENGINEERING FOR ASSISTANCE.

For ADI Customer Use Only
THIS CIRCUIT IS PROPRIETARY TO ANALOG DEVICES INC. AND SUPPLIED FOR USE WITH ANALOG DEVICES INC. PARTS.

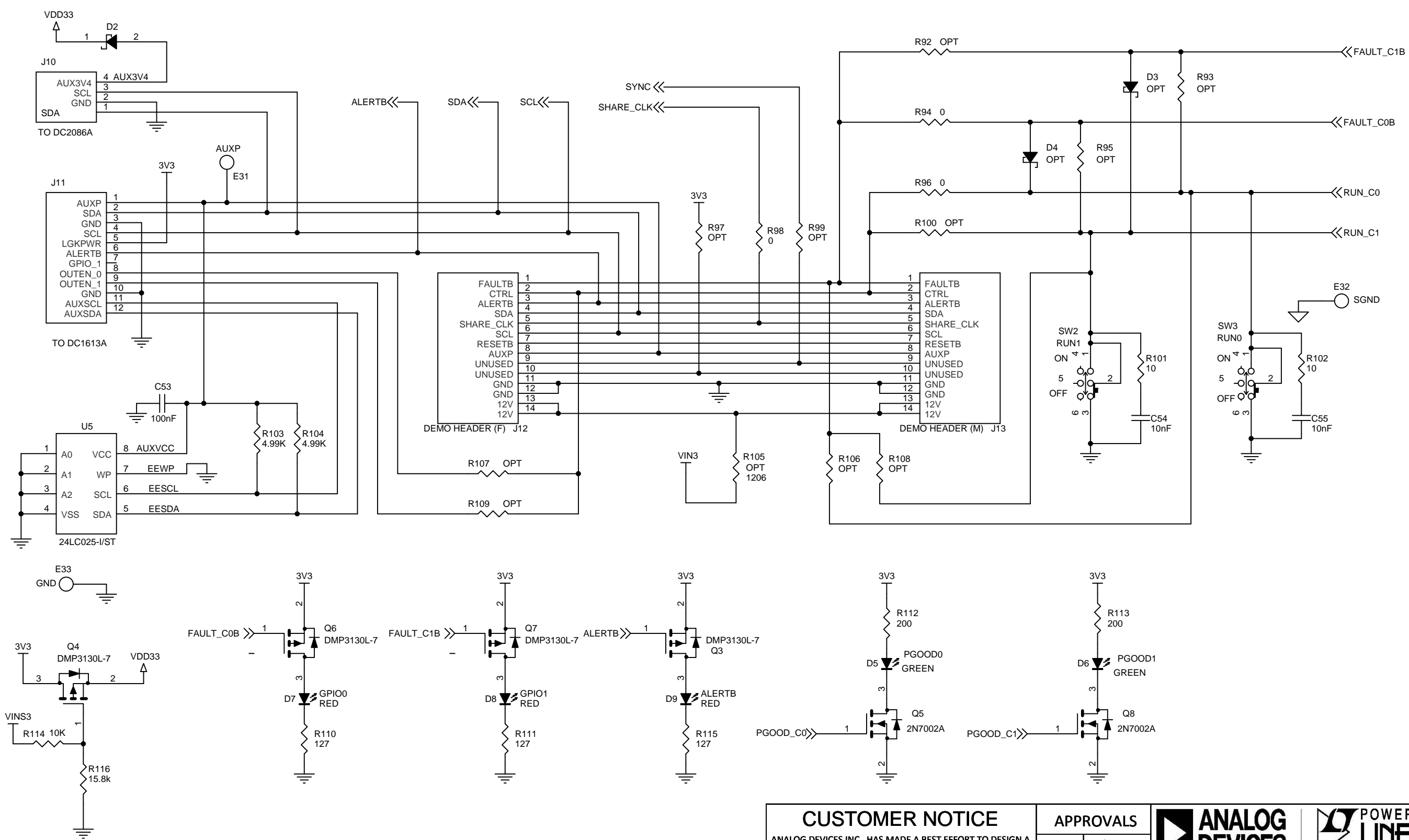
APPROVALS

PCB DES.	<i>MS</i>
APP ENG.	<i>JL</i>

ANALOG DEVICES | **POWER BY LINEAR** | 1630 McCarthy Blvd. Milpitas, CA 95035
www.analog.com | Phone: 1-408-432-1900

IC NO. LTM4664EY	TITLE: DEMO CIRCUIT SCHEMATIC, 48V/54Vin, Dual 25A POL Converter with Power System Management	
SKU NO. DC2672A	PCA BOM: 700-DC2672A_REV05	SCHEMATIC NO. AND REVISION: 710-DC2672A_REV05
SIZE: N/A	SCALE = NONE	DATE: Monday, October 07, 2019
		SHEET 2 OF 3

ALL PARTS ON THIS PAGE ARE FOR DEMO BOARD ONLY, NOT NEEDED IN CUSTOMER DESIGN



CUSTOMER NOTICE ANALOG DEVICES INC. HAS MADE A BEST EFFORT TO DESIGN A CIRCUIT THAT MEETS CUSTOMER-SUPPLIED SPECIFICATIONS; HOWEVER, IT REMAINS THE CUSTOMER'S RESPONSIBILITY TO VERIFY PROPER AND RELIABLE OPERATION IN THE ACTUAL APPLICATION. COMPONENT SUBSTITUTION AND PRINTED CIRCUIT BOARD LAYOUT MAY SIGNIFICANTLY AFFECT CIRCUIT PERFORMANCE OR RELIABILITY. CONTACT ANALOG DEVICES INC. APPLICATIONS ENGINEERING FOR ASSISTANCE.		APPROVALS PCB DES. <i>MS</i> APP ENG. <i>JL</i>		1630 McCarthy Blvd. Milpitas, CA 95035 www.analog.com Phone: 1-408-432-1900	
		IC NO. LTM4664EY			TITLE: DEMO CIRCUIT SCHEMATIC, 48V/54Vin, Dual 25A POL Converter with Power System Management
For ADI Customer Use Only THIS CIRCUIT IS PROPRIETARY TO ANALOG DEVICES INC. AND SUPPLIED FOR USE WITH ANALOG DEVICES INC. PARTS.		SKU NO. DC2672A	PCA BOM: 700-DC2672A_REV05 PCA ASS'Y: 705-DC2672A_REV05	SCHEMATIC NO. AND REVISION: 710-DC2672A_REV05	
SIZE: N/A	SCALE = NONE	DATE: Monday, October 07, 2019		SHEET 3 OF 3	