

LAYOUT SHOWN AS EXAMPLE

Keying Shown as example

CHARACTERISTICS

- Standard : Based on MIL-DTL-38999 Series III
- Shell Material : Aluminium
- Shell Plating : Olive drab Cadmium
- Insulator : Thermoplastic
- Contacts : Copper Alloy
- Seals & Grommet : Silicon Elastomer
- Contact Plating : Gold over copper Alloy 0.8µm minimum
- Durability : 500 Mating cycles
- Delivered with Souriau contacts and Accessories
- Temperature Range : -65°C to +175°C
- Salt Spray : 500 hours
- Mass : 46.72 g ± 10%

| Connector dimension | |
|---------------------|-----------------|
| Dim | Nominal |
| A | 44.5±0.3 |
| B | 30.15+0.1/-0.15 |
| R | 32.5Max |
| S | 41.3±0.4 |
| W | 2.2+0.9/-0.1 |
| VV THREAD | M25x1-6g |

SOURIAU shall not be liable for any non-conformity or damage due to a use of the Products which does not comply with the Specifications issued by either of the Parties or by a third party (professional recommendation, technical notice.)

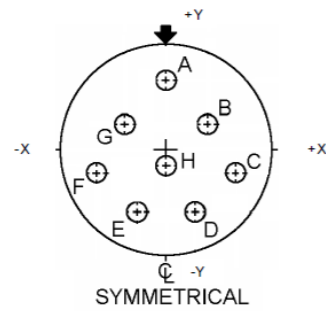
| Country | Jurisdiction & Control List |
|---------|-----------------------------|
| FR | Not Listed |

PN: 8D717W08BE

| | | | |
|---------------------|--|--------------------------------|---|
| A | 01-10-2016 | First Release | |
| ISS | DATE | Latest modification - by | MOD N° |
| Designed By: | | Date: | CUSTOMER DRAWING |
| TITLE | Aluminium Receptacle 8D series | | |
| SCALE | | General linear Tolerances: ±-- | NPRDS / PROJECT 859 |
| NA | | | This document is the property of SOURIAU it must not be reproduced or communicated without permission |
| SOURIAU | WWW.SOURIAU.COM | | |
| FORMAT A3 | SOURIAU DRG N° 8D717W08BE-C | | SHEET 1/2 |

| | | | | | | | | | |
|---------------|------------------------------------|---|---|----|---|----|---|---|-----------------|
| BASIC SERIES: | 8D | 7 | - | 17 | W | 08 | B | E | ORIENTATION : E |
| SHELL TYPE | : Jam nut Receptacle | | | | | | | | |
| CONTACT TYPE | : Standard Crimp Contact | | | | | | | | |
| SHELL SIZE | : 17 | | | | | | | | |
| PLATING | : W = Olive drab Cadmium | | | | | | | | |
| | CONTACT TYPE : SOCKET(500 Matings) | | | | | | | | |
| | CONTACT LAYOUT : 17-08 | | | | | | | | |

Contact Layout

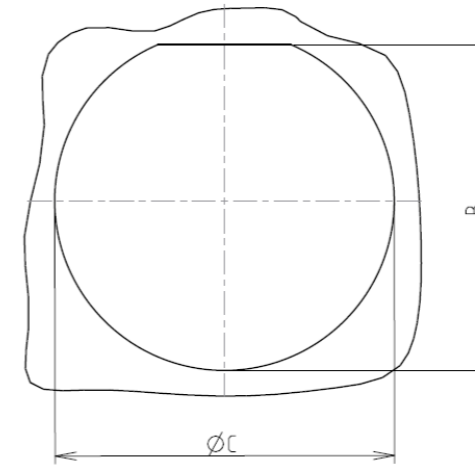


| Contacts (Insert arrangement 17-8) | | |
|---------------------------------------|-------------|-------------|
| Contact position ID | Location | |
| | X-axis (mm) | Y-axis (mm) |
| A | +000 (0.00) | +236 (5.99) |
| B | +128 (3.25) | +086 (2.18) |
| C | +230 (5.84) | -078 (1.98) |
| D | +094 (2.39) | -216 (5.49) |
| E | -094 (2.39) | -216 (5.49) |
| F | -230 (5.84) | -078 (1.98) |
| G | -128 (3.25) | +086 (2.18) |
| H | +000 (0.00) | -052 (1.32) |

| Shell size | Arrangement no. | Number of contacts | Size contacts | Service rating | Contact location | Supersedes |
|------------|-----------------|--------------------|---------------|----------------|------------------|------------|
| 17 | -8 | 8 | 16 | II | All | MS20053-8 |

Panel cutout

JAM NUT RECEPTACLE (TYPE 7)



| Dim | Nominal |
|-----|---------------|
| B | 30.73+0/-0.25 |
| ØC | 32.01+0.25/-0 |

SOURIAU shall not be liable for any non-conformity or damage due to a use of the Products which does not comply with the Specifications issued by either of the Parties or by a third party (professional recommendation, technical notice.)

| Country | Jurisdiction & Control List |
|---------|-----------------------------|
| FR | Not Listed |

PN: 8D717W08BE

| | | | |
|---------------------|--|--------------------------------|--|
| A | 01-10-2016 | First Release | |
| ISS | DATE | Latest modification - by | MOD N° |
| Designed By: | | Date: | CUSTOMER DRAWING |
| TITLE | Aluminium Receptacle 8D series | | |
| SCALE | | General linear Tolerances: ±-- | NPRDS / PROJECT 859 |
| SOURIAU | WWW.SOURIAU.COM | | This document is the property of SOURIAU it must not be reproduced or communicated without permission |
| FORMAT A3 | SOURIAU DRG N° 8D717W08BE-C | | SHEET 2/2 |