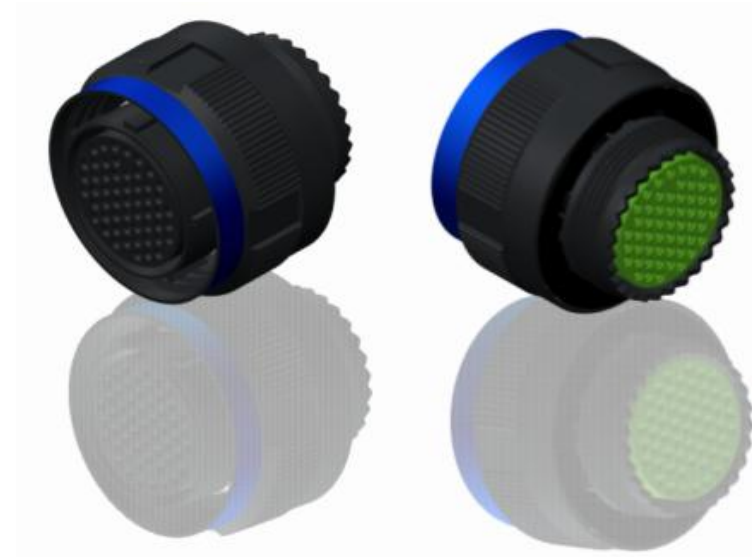
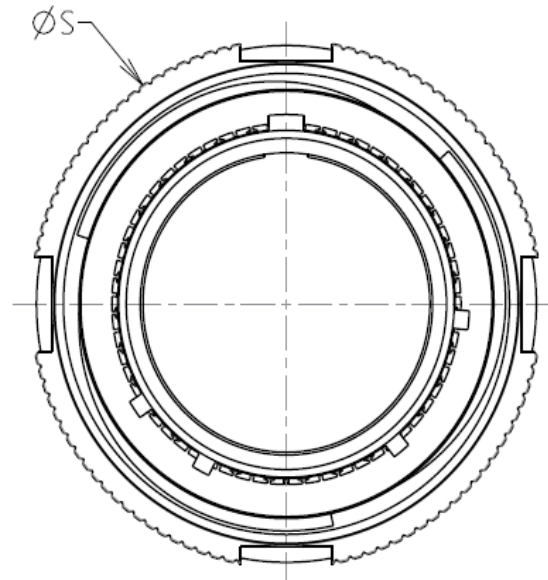
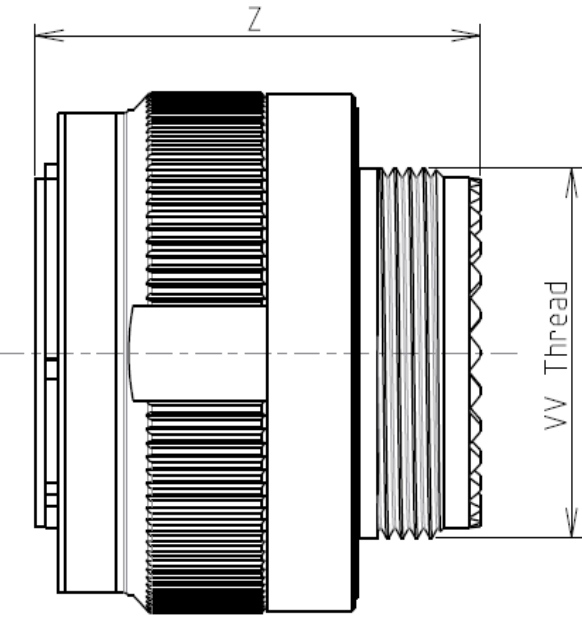


H G F E D C B A



LAYOUT SHOWN AS EXAMPLE

Keying Shown as example

CHARACTERISTICS

- Standard : Based on MIL-DTL-38999 Series III
- Shell Material : Aluminium
- Shell Plating : Black Zinc Nickel
- Insulator : Thermoplastic
- Contacts : Copper Alloy
- Seals & Grommet : Silicon Elastomer
- Contact Plating : Gold over copper Alloy 0.8µm minimum
- Durability : 500 Mating cycles
- Delivered without Souriau contacts
- Temperature Range : -65°C to +175°C
- Salt Spray : 500 hours
- Mass : 56.83 g ± 10%

| Connector dimension | |
|---------------------|----------|
| Dim | Nominal |
| ØS | 48 Max |
| Z | 31 Max |
| VV THREAD | M37x1-6g |

SOURIAU shall not be liable for any non-conformity or damage due to a use of the Products which does not comply with the Specifications issued by either of the Parties or by a third party (professional recommendation, technical notice.)

| Country | Jurisdiction & Control List |
|---------|-----------------------------|
| FR | Not Listed |

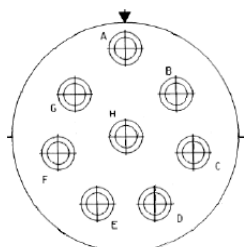
PN: 8D525Z08SNL

| | | | |
|--------------|---|--------------------------------|---|
| A | 17-10-2016 | First Release | |
| ISS | DATE | Latest modification - by | MOD N° |
| Designed By: | | Date: | CUSTOMER DRAWING |
| TITLE | Aluminium Plug 8D series | | |
| SCALE | | General linear Tolerances: ±-- | NPRDS / PROJECT 859 |
| NA | SOURIAU WWW.SOURIAU.COM | | This document is the property of SOURIAU it must not be reproduced or communicated without permission |
| FORMAT | A3 | | SOURIAU DRG N° 8D525Z08SNL-C |
| | | | SHEET 1/2 |

| | | | | | | | | | | |
|---------------|---------------------------|---|---|----|---|----|---|---|---|------------------------------------|
| BASIC SERIES: | 8D | 5 | - | 25 | Z | 08 | S | N | L | Delivered W/O Contacts |
| SHELL TYPE | : Plug with RFI Shielding | | | | | | | | | ORIENTATION : N |
| CONTACT TYPE | : Standard Crimp Contact | | | | | | | | | CONTACT TYPE : SOCKET(500 Matings) |
| SHELL SIZE | : 25 | | | | | | | | | CONTACT LAYOUT : 25-08 |
| PLATING | : Z = Black Zinc Nickel | | | | | | | | | |

H G F E D C B A

Contact Layout



Inactive for new design for MIL-DTL-38999. For new design, use arrangement no. 25-10.)

| Contact position ID | Contact location | |
|---------------------|------------------|--------------|
| | X-axis (mm) | Y-axis (mm) |
| A | -000 (0.00) | -426 (10.62) |
| B | +333 (8.46) | +266 (6.76) |
| C | +415 (10.54) | -.095 (2.41) |
| D | +185 (4.70) | -.384 (9.75) |
| E | -.185 (4.70) | -.384 (9.75) |
| F | -.415 (10.54) | -.095 (2.41) |
| G | -.333 (8.46) | +266 (6.76) |
| H | +000 (0.00) | +000 (0.00) |

| Shell size | Arrangement no. | Number of contacts | Size contacts | Service rating | Contact location | Standard contact | |
|------------|-----------------|--------------------|---------------|----------------|------------------|------------------|---------------|
| | | | | | | Pin | Socket |
| 25 | -8 | 8 | 8 | Twinax | All | M39029/90-529 | M39029/91-530 |

SOURIAU shall not be liable for any non-conformity or damage due to a use of the Products which does not comply with the Specifications issued by either of the Parties or by a third party (professional recommendation, technical notice.)

| Country | Jurisdiction & Control List |
|---------|-----------------------------|
| FR | Not Listed |

PN: 8D525Z08SNL

| | | | |
|----------------|-------------------------------------|----------------------------|---|
| A | 17-10-2016 | First Release | |
| ISS | DATE | Latest modification - by | MOD N° |
| Designed By: | | Date: | CUSTOMER DRAWING |
| TITLE | Aluminium Plug 8D series | | |
| SCALE | | General linear Tolerances: | NPRDS / PROJECT |
| NA | | ±-- | 859 |
| SOURIAU | WWW.SOURIAU.COM | | This document is the property of SOURIAU it must not be reproduced or communicated without permission |
| FORMAT | SOURIAU DRG N° 8D525Z08SNL-C | | SHEET 2/2 |