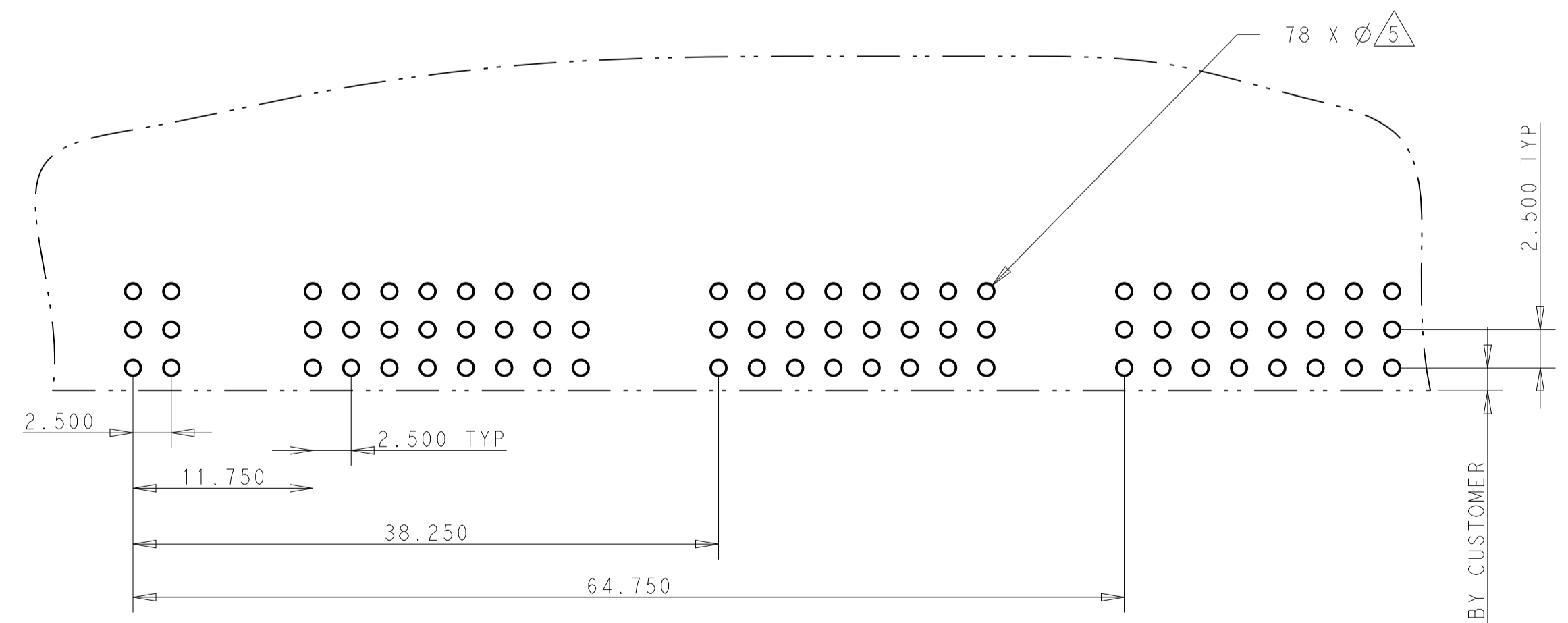
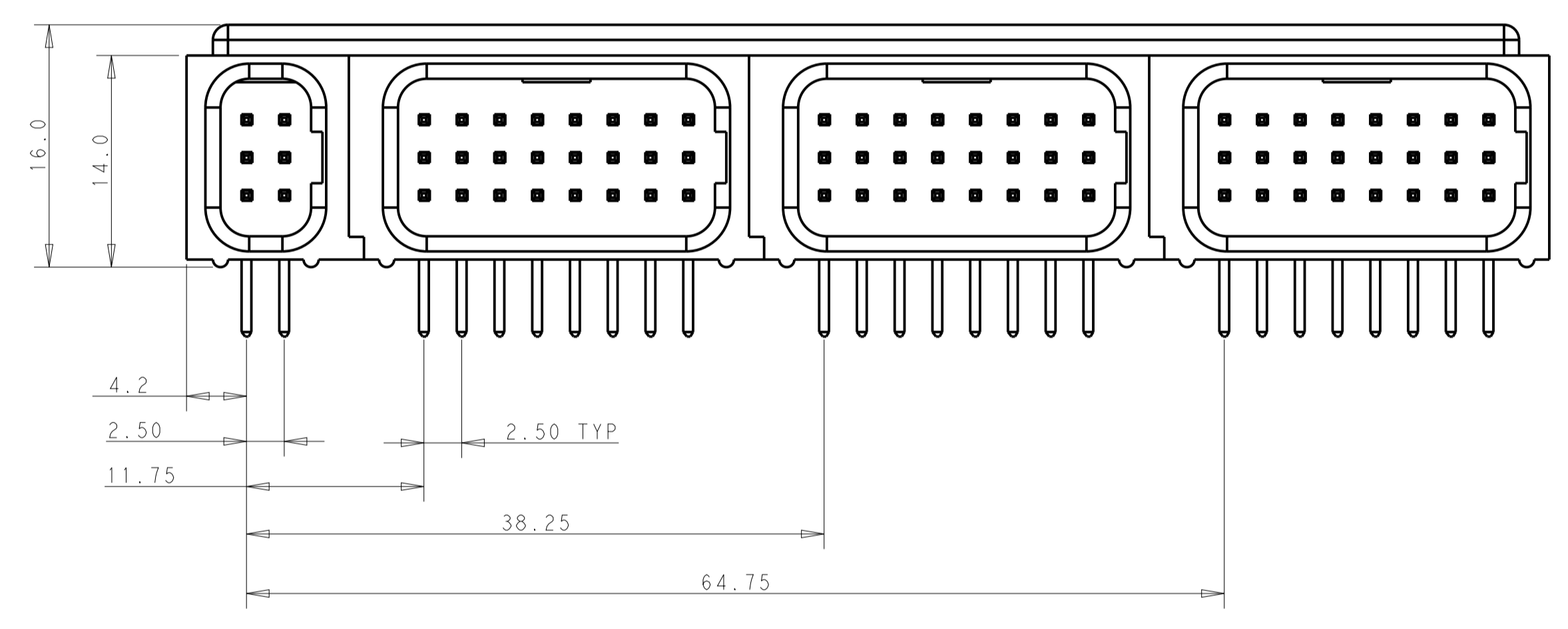
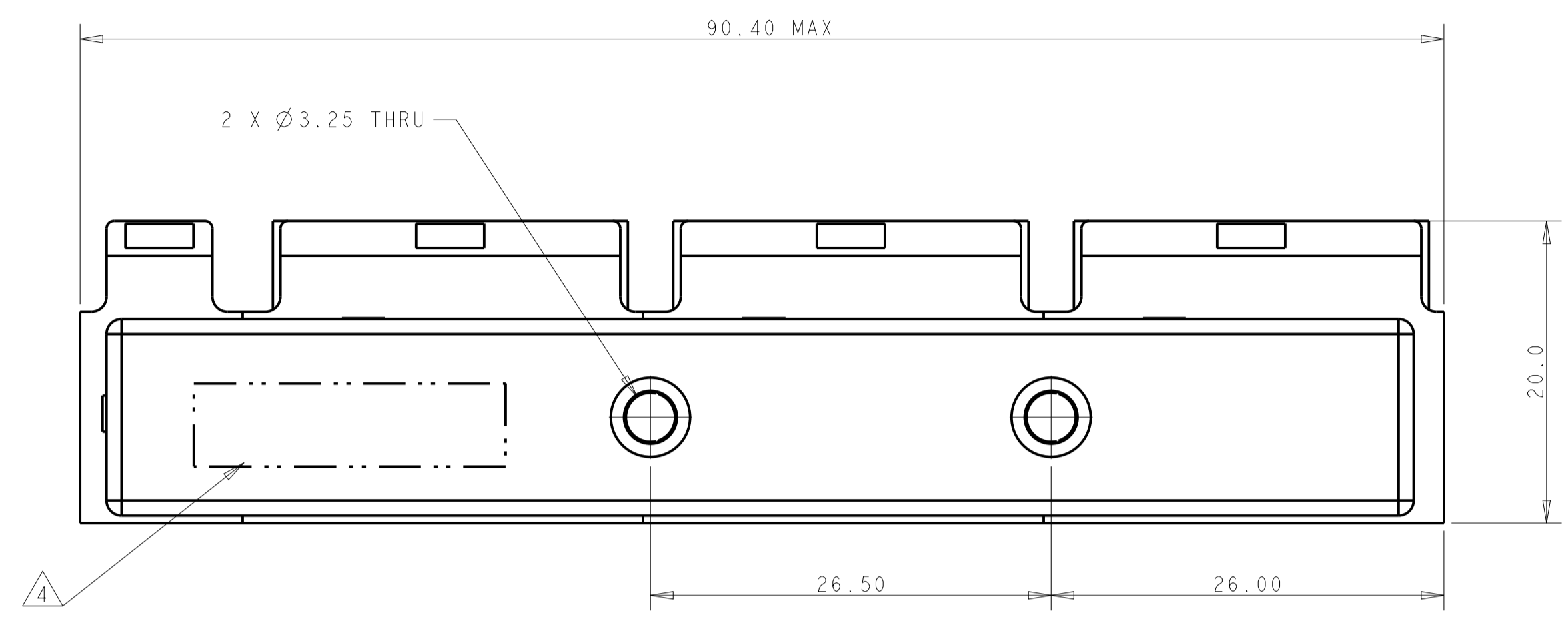
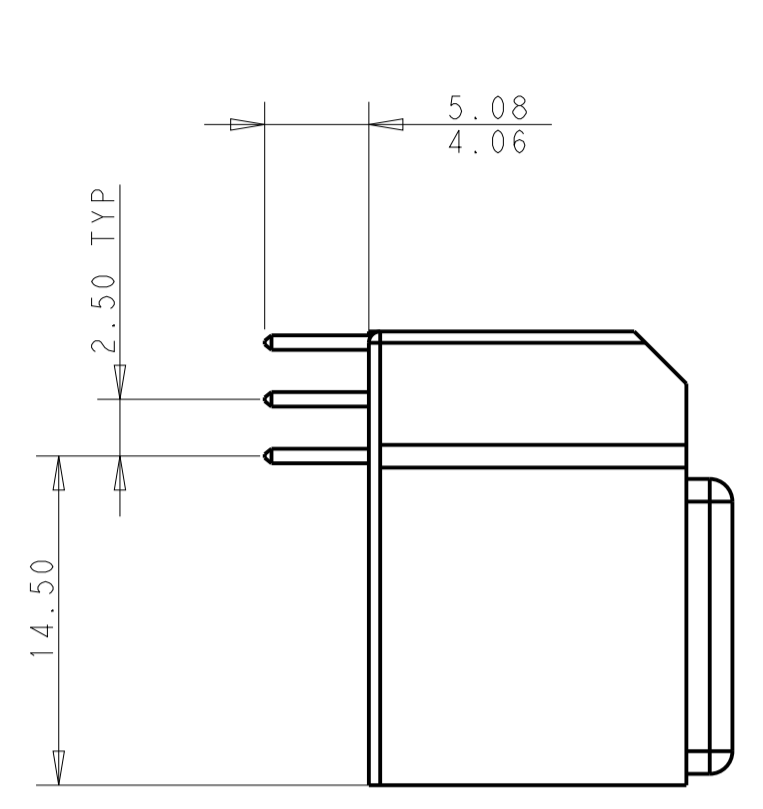
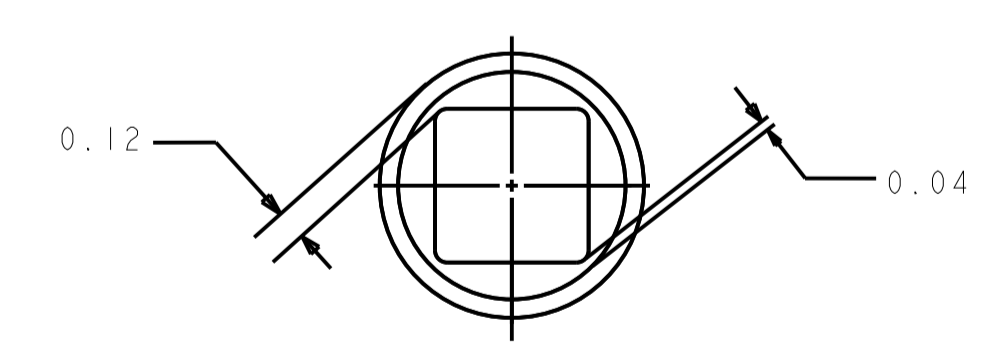


REVISIONS				
P.	LTR.	DESCRIPTION	DATE	APVD.
1		PRELIMINARY	27MAR2015	SZ SZ



PRINTED CIRCUIT LAYOUT
 COMPONENT SIDE

- PART NUMBER CHANGES AND OR DESIGN CHANGES AFFECTING ITEM INTERCHANGEABILITY REQUIRE PRIOR TE CONNECTIVITY APPROVAL AND AUTHORIZATION BY REVISION TO THIS DRAWING
 - MATERIAL:
 HOUSING - THERMOPLASTIC,
 POWER CONTACTS - COPPER ALLOY
 PLATE MOUNTING - ULTEM 1000, UL RATED, 94V-0
 - FINISH:
 CONTACTS - NOBEL METAL PLATE OVER NICKEL AT CONTACT AREA
 SOLDER TAILS, MATTE TIN OVER NICKEL
- △ 4 TE ELECTRONICS, PART NUMBER AND DATE CODE LOCATED IN THE APPROXIMATE AREA SHOWN
 △ 5 SEE PRINTED CIRCUIT BOARD LAYOUT AND SOLDER TERMINATION VIEW



△ 5 SOLDER TERMINATION AREA
 RECOMMENDED PRINTED CIRCUIT SOLDER HOLE
 FINISHED HOLE: $\phi 1.02 \pm .08$
 DRILLED HOLE: $\phi 1.15 \pm .013$
 COPPER PLATE: .025 MIN.
 TIN PLATE: .008 MIN. (PER SURFACE)

AS SHOWN	6651425-1
DESCRIPTION	PART NUMBER

THIS DRAWING IS A CONTROLLED DOCUMENT.		OWN: SEAN 26MAR2015	TE Connectivity	
DIMENSIONS: mm		CHK: SEAN 26MAR2015		
TOLERANCES UNLESS OTHERWISE SPECIFIED: 0 PLC ± 1 PLC ±0.5 2 PLC ±0.25 3 PLC ±0.05 4 PLC ± ANGLES ±		APPV: SEAN 26MAR2015		
MATERIAL: SEE NOTE		FINISH: SEE NOTE	PRODUCT SPEC: -	NAME: TOP ASSEMBLY, PIN CONNECTOR, R/A STANDARD, SOLDER TAIL, FLATPAQ
		WEIGHT: -	APPLICATION SPEC: -	RESTRICTED TO: -
		Customer Drawing	SIZE: A1	CAGE CODE: -
			DRAWING NO: 6651425	REV: 1
			SCALE: 1:1	SHEET: 1 OF 1