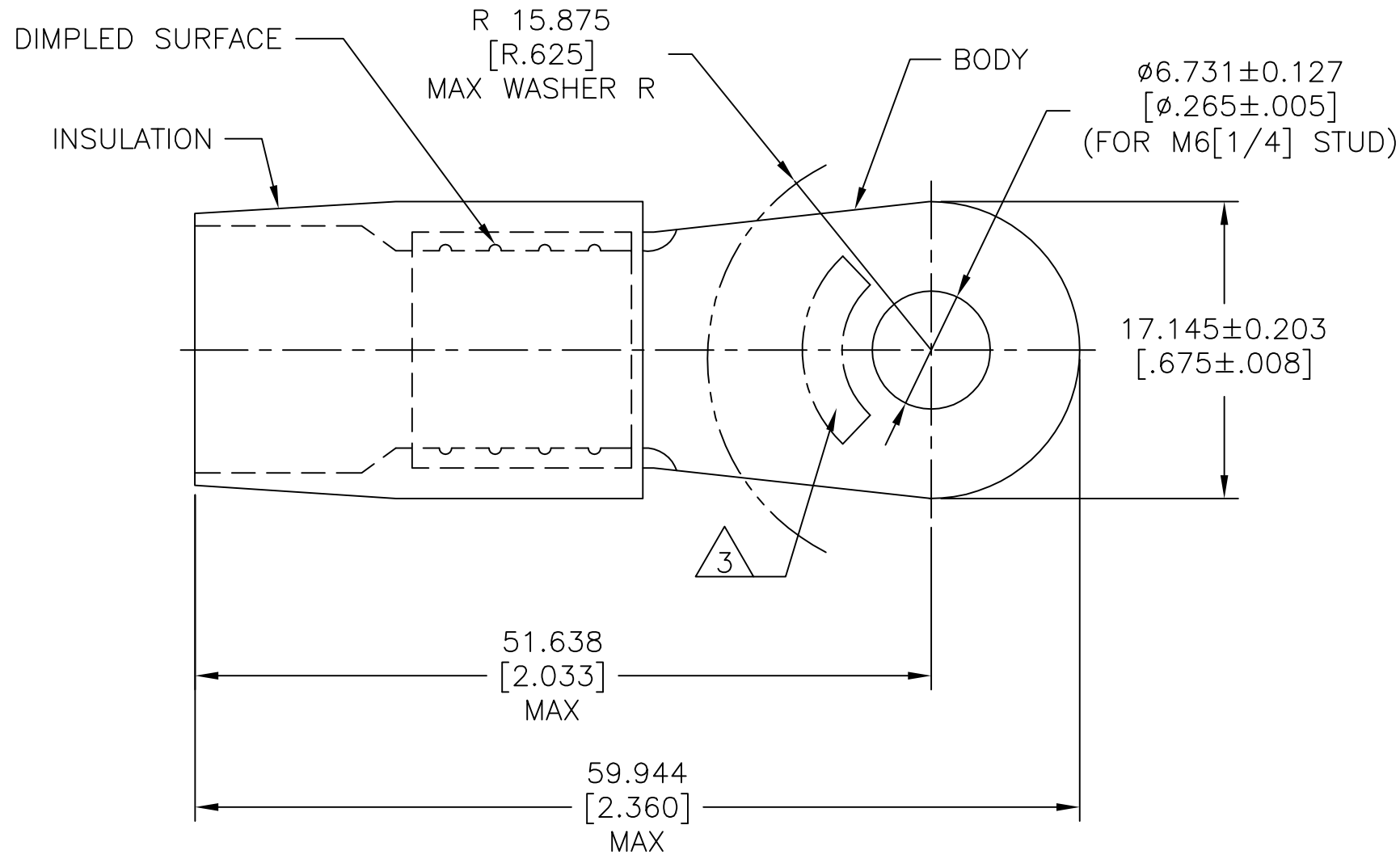
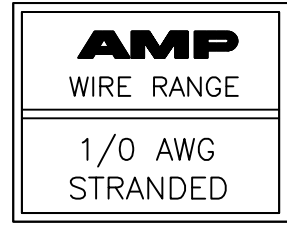


REVISIONS					
P	LTR	DESCRIPTION	DATE	DWN	APVD
	A	EC 0720-0279-93	6-18-93	SSG	BB
	A1	REVISED PER ECO-17-014333	16OCT2017	RS	DR



- 1 BODY MATERIAL THK 1.778±0.051[.070±.002]
- 2 FOR Ø14.732[Ø.580] MAX WIRE INS.
- △ 3 STAMP AMP 1/0 W* APPROX AS SHOWN.

50	LOOSE PC	55822-1
QTY	PACKAGE TYPE	PART NO

AMP INCORPORATED CUSTOMER SERVICE SYSTEMS		MAX RECOMMENDED OPERATING TEMPERATURE: 105°C[221°F]	THIS DRAWING IS A CONTROLLED DOCUMENT.		DWN S.S. GOULDEN 6-18-93	TE Connectivity NAME TERMINAL,RING TONGUE, TERMINYL WIRE SIZE: 1/0 AWG			
FOR ADDITIONAL PRODUCT INFORMATION OR COPIES OF DRAWINGS AND TECHNICAL DOCUMENTS	PRODUCT INFORMATION CENTER 1-800-522-6752	VOLTAGE RATING: -	DIMENSIONS: mm [INCHES]	TOLERANCES UNLESS OTHERWISE SPECIFIED:	CHK R. HERSEY 6-18-93				
FOR APPLICATION TOOLING INFORMATION	TOOLING ASSISTANCE CENTER 1-800-722-1111	CIRCULAR MIL AREA: 42.4-60.6mm² [83,700-119,500] STRANDED			0 PLC ± -	SIZE A3 CAGE CODE 00779 DRAWING NO C=55822 RESTRICTED TO -			
FOR ORDER ENTRY	1-800-526-5142		MATERIAL	FINISH	1 PLC ± -				
		THIS DRAWING IS A CONTROLLED DOCUMENT FOR AMP INCORPORATED. IT IS SUBJECT TO CHANGE AND THE CONTROLLING ENGINEERING ORGANIZATION SHOULD BE CONTACTED FOR THE LATEST REVISION.	BODY: COPPER PER ASTM B-152 INSULATION: NYLON ASTM D4066	BODY: TIN PLATE PER ASTM B545 INSULATION: COLOR-BLUE	2 PLC ± -	CUSTOMER DRAWING			
					3 PLC ± 0.127[.005]	SCALE NTS			
					4 PLC ± -	SHEET 1 OF 1			
					ANGLES ± -	REV A1			