

注記 NOTES

- ① 材質及び仕上げ(めっき仕様) : TABLE 1, TABLE 2 参照
MATERIAL AND FINISHES (PLATING SPECIFICATION) : SEE TABLE 1, TABLE 2.
- ② 嵌合相手 : 505432シリーズ
MATE WITH : 505432 SERIES
- ③ 端子テール部 及び ネイルの平坦度 : 0.12 MAXIMUM.
TAIL AND NAIL COPLANARITY TO BE 0.12 MAXIMUM.
- ④ 極数 / 2 = 偶数に適用
APPLY TO CIRCUIT SIZE / 2 = EVEN.
- ⑤ 製品仕様書 : 5054320000 PS 006
PRODUCT SPECIFICATION : 5054320000 PS 006
- ⑥ 発注番号 : SHEET5,6参照
ORDER NUMBER : PLEASE REFER TO SHEET 5,6

505433 ***

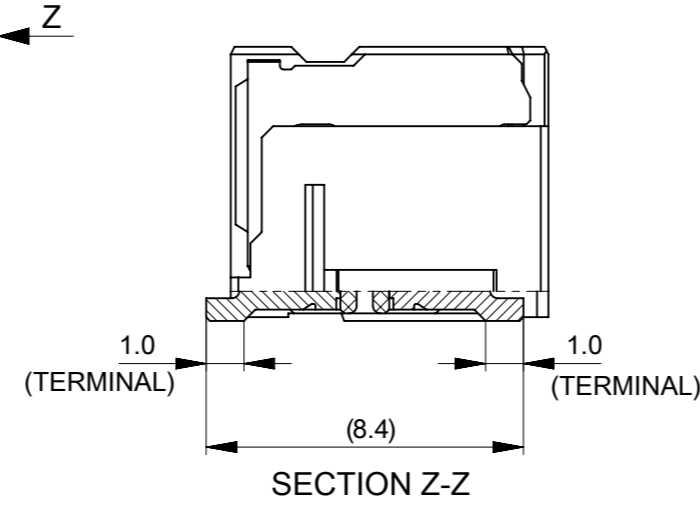
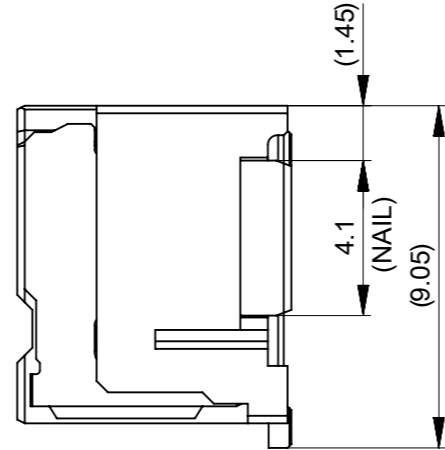
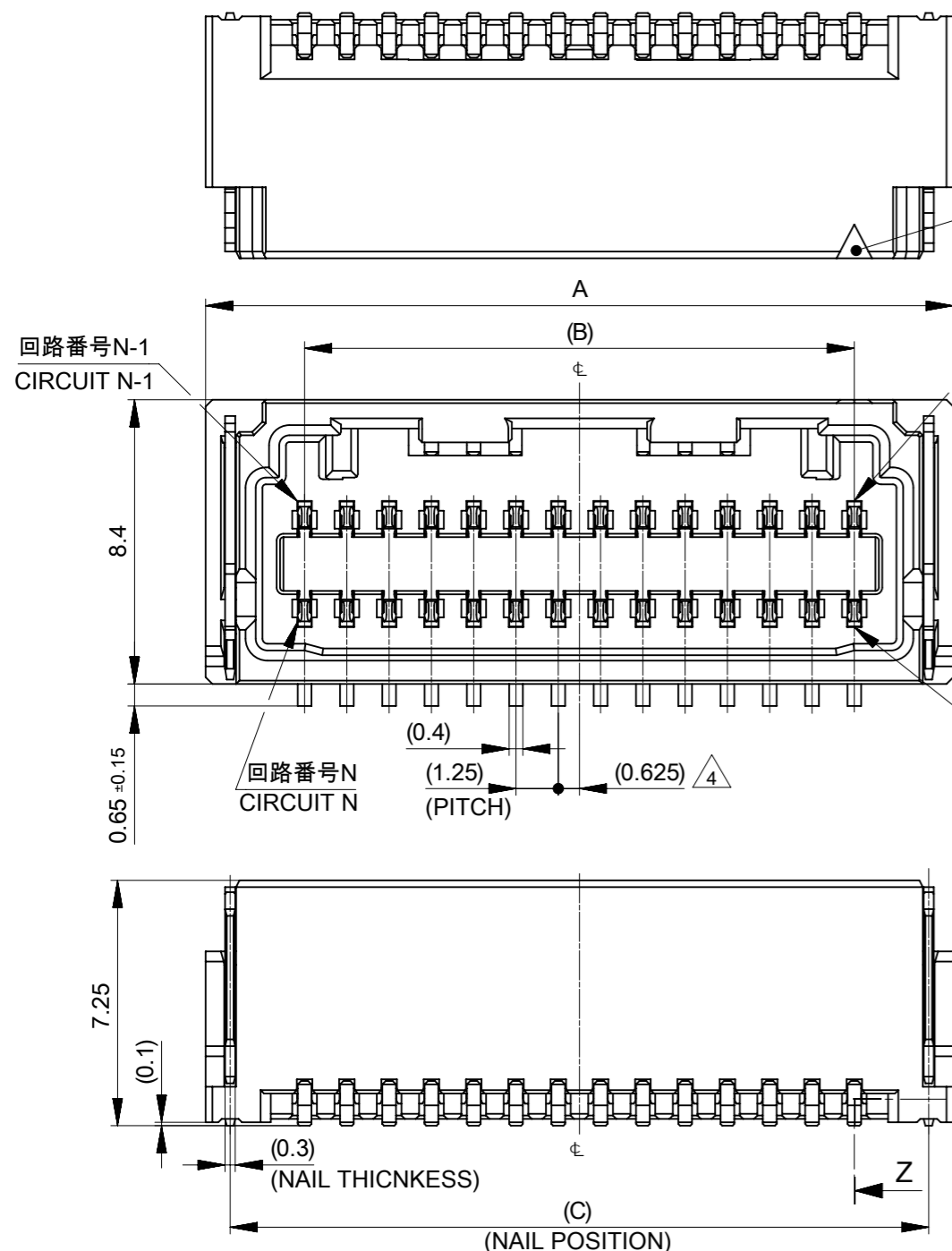
極数
CIRCUIT SIZE

| 番号 NO. | 接点部 金めっき厚 CONTACT GOLD PLATING THICKNESS [MICROMETER MINIMUM] | カバーテープ COVER TAPE |
|-----------|--|----------------------|
| 9 | 0.1 | 有 WITH |
| 3 | 0.38 | |
| 5 | 0.76 | |
| 6 | 0.1 | 無 WITHOUT |
| 2 | 0.38 | |
| 4 | 0.76 | |

| 番号 NO. | ハウジングカラー HOUSING COLOR |
|-----------|--------------------------------|
| 0 | ナチュラル(ベージュ) NATURAL (BEIGE) |
| 1 | 黒 BLACK |
| 2 | 赤 RED |
| 4 | 青 BLUE |
| 6 | 緑 GREEN |

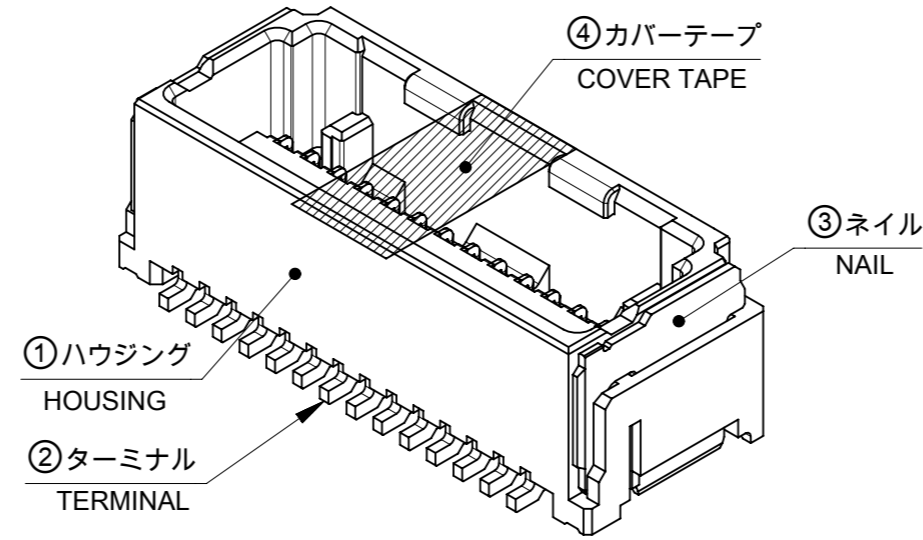
7. コネクタ取扱説明書 : 5054320000-AS PS 000
APPLICATION SPECIFICATION : 5054320000-AS PS 000

| | | | | | | | | | | |
|-------|-------|-------|-------|--------|-------|-------|-------|-------|--------|----|
| 4.1 | 49.4 | 45.4 | 20.2 | 44±0.3 | 5 | 26.25 | 29.4 | 25 | 30.85 | 42 |
| | | | | | 25 | 28.15 | 23.75 | 29.6 | 40 | |
| | | | | | 23.75 | 26.9 | 22.5 | 28.35 | 38 | |
| | | | | | 22.5 | 25.65 | 21.25 | 27.1 | 36 | |
| | | | | | 21.25 | 24.4 | 20 | 25.85 | 34 | |
| | | | | | 20 | 23.15 | 18.75 | 24.6 | 32 | |
| | | | | | 18.75 | 21.9 | 17.5 | 23.35 | 30 | |
| | | | | | 17.5 | 20.65 | 16.25 | 22.1 | 28 | |
| | | | | | 16.25 | 19.4 | 15 | 20.85 | 26 | |
| | | | | | 4.2 | 37.4 | 33.4 | 14.2 | 32±0.3 | 15 |
| 13.75 | 16.9 | 12.5 | 18.35 | 22 | | | | | | |
| 12.5 | 15.65 | 11.25 | 17.1 | 20 | | | | | | |
| 11.25 | 14.4 | 10 | 15.85 | 18 | | | | | | |
| 10 | 13.15 | 8.75 | 14.6 | 16 | | | | | | |
| 8.75 | 11.9 | 7.5 | 13.35 | 14 | | | | | | |
| 7.5 | 10.65 | 6.25 | 12.1 | 12 | | | | | | |
| 6.25 | 9.4 | 5 | 10.85 | 10 | | | | | | |
| 5 | 8.15 | 3.75 | 9.6 | 8 | | | | | | |
| | J | H | G | F | | | | | | E |



① TABLE 1

| 番号 NO. | 部品 PART | 材質 MATERIAL |
|-----------|----------------------|---|
| ① | ハウジング HOUSING | ポリアミド(PA) UL94V-0 色 : SHEET 5,6参照 POLY AMIDE(PA) UL94V-0 COLOR : SEE SHEET 5,6 |
| ② | ターミナル TERMINAL | 黄銅 BRASS |
| | | 接点部 : 金めっき めっき厚は注記6参照 CONTACT : GOLD PLATING PLATING THICKNESS : SEE NOTE 6. ニッケルめっき(下地めっき) : 2.0 MICROMETER MINIMUM NICKEL PLATING (UNDER PLATING) |
| ③ | ネイル NAIL | 黄銅 BRASS |
| | | 錫ビスマスめっき : 1.0 MICROMETER MINIMUM TIN-BISMUTH PLATING ニッケルめっき(下地めっき) : 1.0 MICROMETER MINIMUM NICKEL PLATING (UNDER PLATING) |
| ④ | カバーテープ COVER TAPE | ポリイミド POLYIMIDE |



THIS DRAWING CONTAINS INFORMATION THAT IS PROPRIETARY TO MOLEX ELECTRONIC TECHNOLOGIES, LLC AND SHOULD NOT BE USED WITHOUT WRITTEN PERMISSION

| | | |
|--|------------------------|-----------------------------|
| DIMENSION UNITS | SCALE | CURRENT REV DESC. |
| mm | NTS | |
| GENERAL TOLERANCES (UNLESS SPECIFIED) | | |
| ANGULAR TOL | ± 3.0° | |
| 4 PLACES | ± 0.2 | EC NO: 736271 |
| 3 PLACES | ± 0.2 | DRWN: TENAGASE 2023/02/08 |
| 2 PLACES | ± 0.2 | CHK'D: SAKIYAMA 2023/02/16 |
| 1 PLACE | ± 0.2 | APPR: AIDA 2023/02/16 |
| 0 PLACES | ± 0.2 | INITIAL REVISION: |
| | | DRWN: TENAGASE 2020/01/20 |
| | | APPR: KOMURAKAMI 2020/01/21 |
| DRAFT WHERE APPLICABLE MUST REMAIN WITHIN DIMENSIONS | THIRD ANGLE PROJECTION | DRAWING |
| | | A3-SIZE |
| | SERIES | 505433 |
| | MATERIAL NUMBER | SEE SHEET 5,6 |
| | CUSTOMER | GENERAL |
| | SHEET NUMBER | 1 OF 6 |

molex

MICRO-LOCK PLUS 1.25 W/B
DUAL ROW VERTICAL SMT PLUG ASSEMBLY
GOLD PLATING

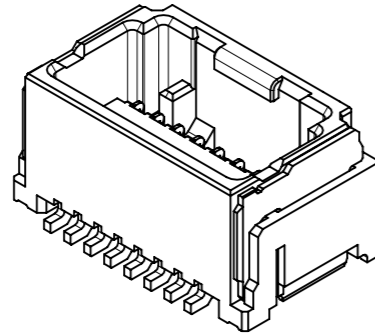
PRODUCT CUSTOMER DRAWING

DOCUMENT NUMBER: 5054330003-SD
DOC TYPE: PSD
DOC PART: 000
REVISION: D

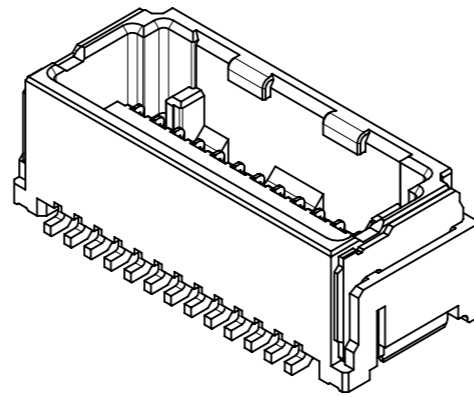
製品形状
PRODUCT SHAPE



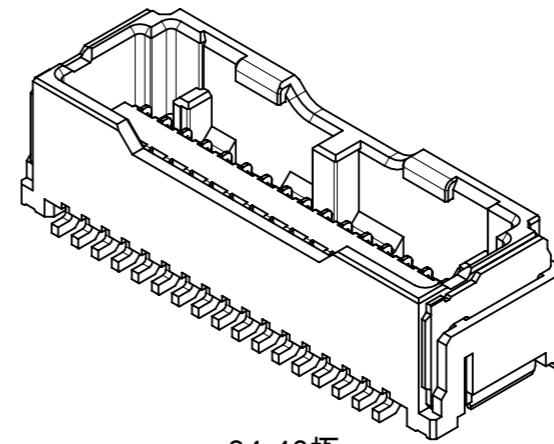
8-14極
8-14 CIRCUIT



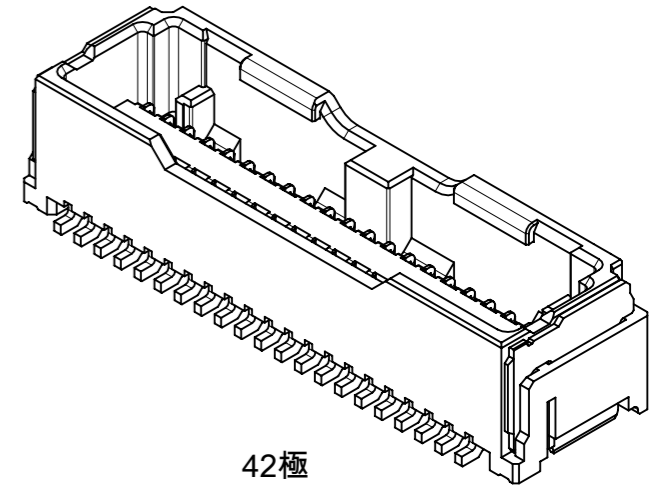
16-24極
16-24 CIRCUIT



26-32極
26-32 CIRCUIT



34-40極
34-40 CIRCUIT



42極
42 CIRCUIT



基板パターンレイアウト (参考)

(参考 : 基板厚 1.6mm, メタルマスク厚さ 0.15mm, マスク開口率 100%)

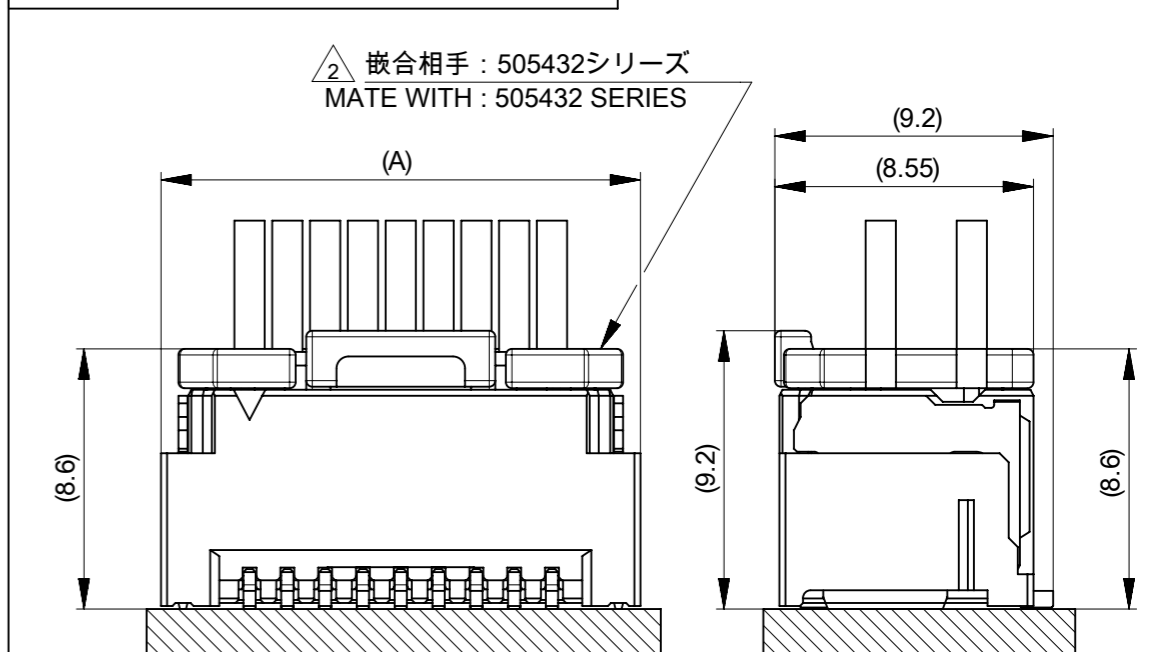
RECOMMEND PCB LAYOUT : COMPONENT SIDE

(REFERENCE : PCB THICKNESS 1.6mm, STENCIL THICKNESS 0.15mm, APERTURE RATIO 100%)

パターン非推奨エリア

パターンを引き回す際は、製品機能に影響がないことをご確認ください。
PATTERN IS NOT RECOMMENDED ON THE HATCHING AREA
PLEASE CHECK NOT TO HAVE PROBLEM FOR PRODUCT FUNCTION
WHEN SETTING PATTERN ON THE HATCHING AREA.

嵌合状態図
MATED CONNECTORS



| | | | | | | | | | |
|---|--|-------|--|------------------------|--|------------|--|-----------------|--|
| THIS DRAWING CONTAINS INFORMATION THAT IS PROPRIETARY TO MOLEX ELECTRONIC TECHNOLOGIES, LLC AND SHOULD NOT BE USED WITHOUT WRITTEN PERMISSION | | | | | | | | | |
| DIMENSION UNITS | | SCALE | | CURRENT REV DESC: | | | | | |
| mm | | NTS | | | | | | | |
| GENERAL TOLERANCES (UNLESS SPECIFIED) | | | | | | | | | |
| ANGULAR TOL ± 3.0° | | | | | | | | | |
| 4 PLACES | | ± 0.2 | | EC NO: 736271 | | | | | |
| 3 PLACES | | ± 0.2 | | DRWN: TENAGASE | | 2023/02/08 | | | |
| 2 PLACES | | ± 0.2 | | CHK'D: SAKIYAMA | | 2023/02/16 | | | |
| 1 PLACE | | ± 0.2 | | APPR: AIDA | | 2023/02/16 | | | |
| 0 PLACES | | ± 0.2 | | INITIAL REVISION: | | | | | |
| | | | | DRWN: TENAGASE | | 2020/01/20 | | | |
| | | | | APPR: KOMURAKAMI | | 2020/01/21 | | | |
| DRAFT WHERE APPLICABLE MUST REMAIN WITHIN DIMENSIONS | | | | THIRD ANGLE PROJECTION | | DRAWING | | SERIES | |
| | | | | A3-SIZE | | 505433 | | MATERIAL NUMBER | |
| | | | | SEE SHEET 5,6 | | CUSTOMER | | SHEET NUMBER | |
| | | | | GENERAL | | 2 OF 6 | | | |

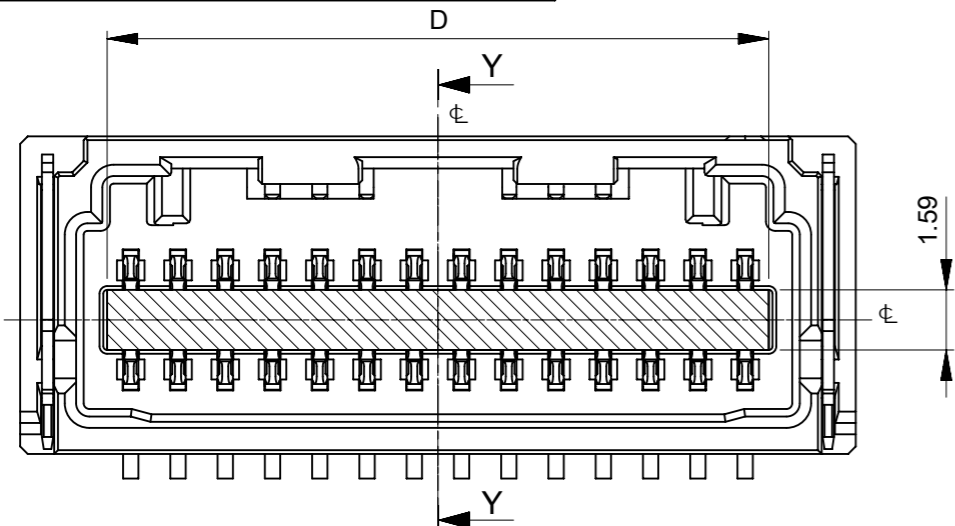
molex

MICRO-LOCK PLUS 1.25 W/B
DUAL ROW VERTICAL SMT PLUG ASSEMBLY
GOLD PLATING

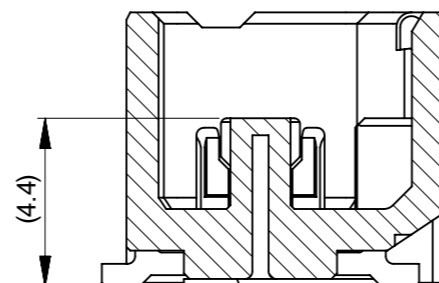
PRODUCT CUSTOMER DRAWING

| | | | |
|-----------------|----------|----------|----------|
| DOCUMENT NUMBER | DOC TYPE | DOC PART | REVISION |
| 5054330003-SD | PSD | 000 | D |

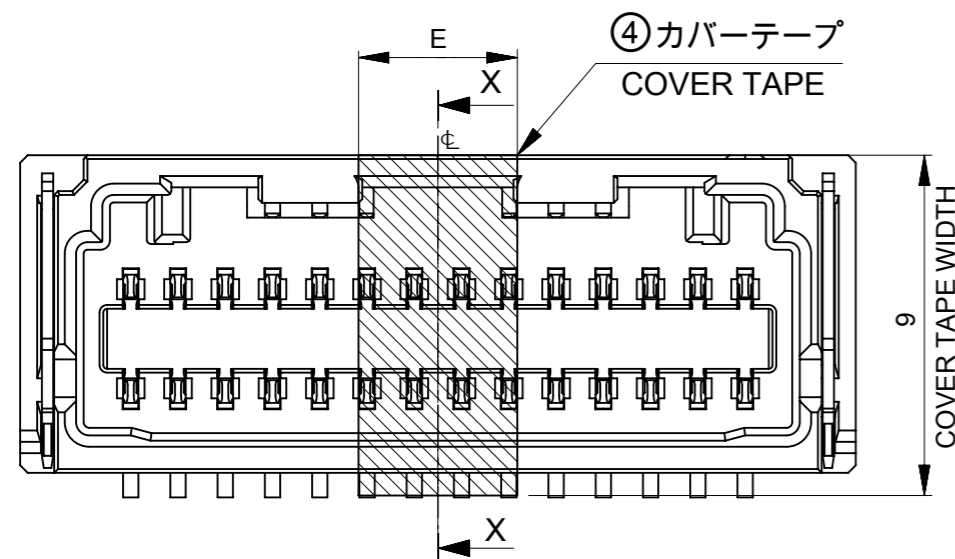
吸着エリア違い
SUCTION AREA DIFFERENCE



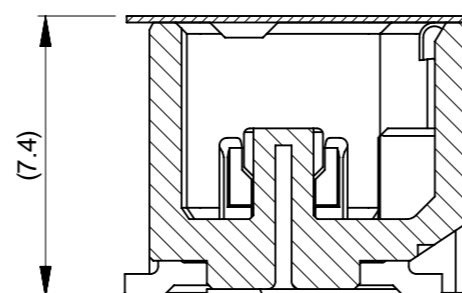
505433 **6**/**2**/**4**
カバーテープ無し
WITHOUT COVER TAPE



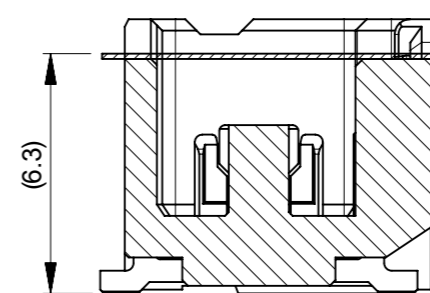
SECTION Y-Y
吸着高さ SUCTION HEIGHT



505433 **9**/**3**/**5**
カバーテープ有り
WITH COVER TAPE



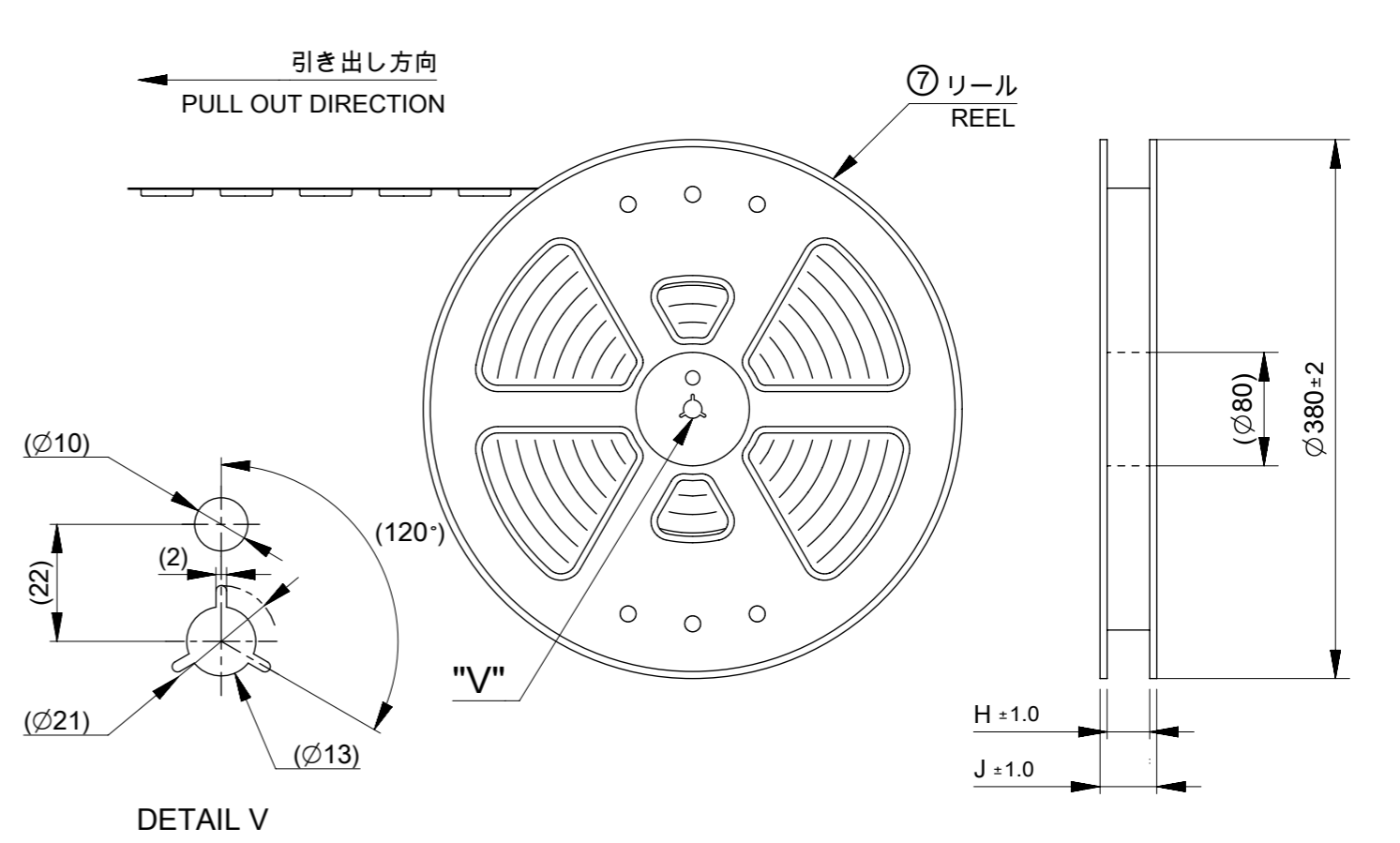
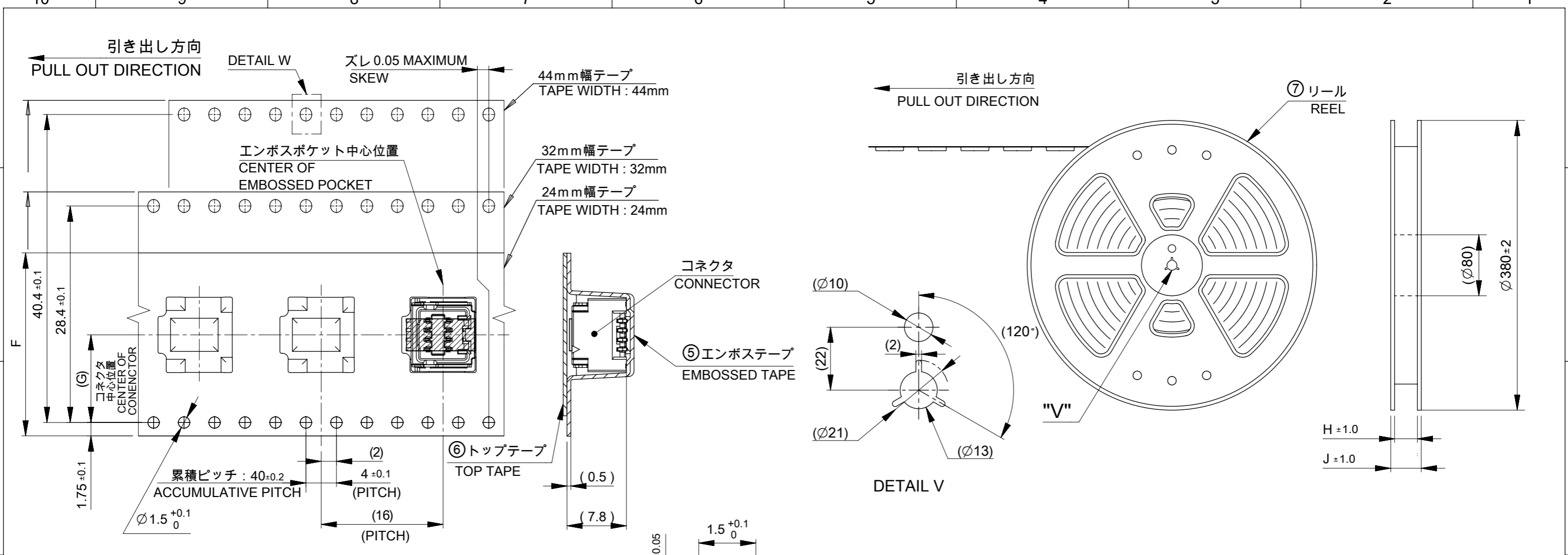
8-32極
8-32 CIRCUIT



34-42極
34-42 CIRCUIT

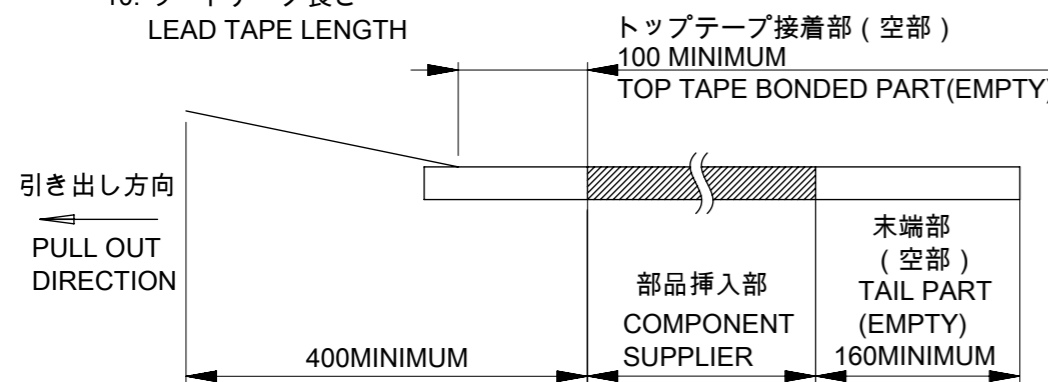
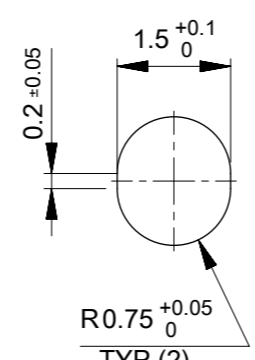
SECTION X-X
吸着テープ高さ COVER TAPE HEIGHT

| | | | | | | | | | | | | | | | |
|---|--|-------------------|--|--|--|---------------|--|------------------------|--|------------|--|-----------------|--|-----------|--|
| THIS DRAWING CONTAINS INFORMATION THAT IS PROPRIETARY TO MOLEX ELECTRONIC TECHNOLOGIES, LLC AND SHOULD NOT BE USED WITHOUT WRITTEN PERMISSION | | | | | | | | | | | | | | | |
| DIMENSION UNITS | | SCALE | | CURRENT REV DESC: | | | | | | | | | | | |
| mm | | NTS | | <p style="text-align: center;">molex</p> <p style="text-align: center;">MICRO-LOCK PLUS 1.25 W/B DUAL ROW VERTICAL SMT PLUG ASSEMBLY GOLD PLATING</p> <p style="text-align: center;">PRODUCT CUSTOMER DRAWING</p> | | | | | | | | | | | |
| GENERAL TOLERANCES (UNLESS SPECIFIED) | | | | | | | | | | | | | | | |
| ANGULAR TOL ± 3.0 ° | | | | | | | | | | | | | | | |
| 4 PLACES ± 0.2 | | EC NO: 736271 | | | | | | | | 2023/02/08 | | DOCUMENT NUMBER | | DOC TYPE | |
| 3 PLACES ± 0.2 | | DRWN: TENAGASE | | | | | | | | 2023/02/16 | | 5054330003-SD | | PSD 000 D | |
| 2 PLACES ± 0.2 | | CHK'D: SAKIYAMA | | | | | | | | 2020/01/21 | | MATERIAL NUMBER | | CUSTOMER | |
| 1 PLACE ± 0.2 | | APPR: AIDA | | 2023/02/16 | | SERIES | | SHEET NUMBER | | | | | | | |
| 0 PLACES ± 0.2 | | INITIAL REVISION: | | 2020/01/20 | | DRAWING | | THIRD ANGLE PROJECTION | | | | | | | |
| DRAFT WHERE APPLICABLE MUST REMAIN WITHIN DIMENSIONS | | DRWN: TENAGASE | | 2020/01/21 | | A3-SIZE | | 505433 | | | | | | | |
| | | APPR: KOMURAKAMI | | | | SEE SHEET 5,6 | | GENERAL | | | | | | | |



NOTES

- 8. 梱包数量 : 500個
NUMBER OF CONNECTORS : 500 PIECES/REEL.
- 9. 梱包仕様書 : 5054339200 PS 200
PACKING SPECIFICATION : 5054339200 PS 200
- 10. リードテープ長さ
LEAD TAPE LENGTH



11. トップテープの剥離強度については、IEC60286-3に準拠
TOP TAPE PEEL FORCE IS DEFINED BY IEC 60286-3.

TABLE 2

| 番号 NO. | 部品 PART | 材質 MATERIAL |
|-----------|---------------------------|---|
| ⑤ | エンボステープ EMBOSSSED TAPE | ポリスチレン(PS) POLYSTYRENE(PS) |
| ⑥ | トップテープ TOP TAPE | ポリエチレン(PE)、その他 POLYETHYLENE(PE), OTHER |
| ⑦ | リール REEL | ポリスチレン(PS) <リサイクル材を含む> POLYSTYRENE(PS) <RECYCLE MATERIAL CONTAINED > |

| | | | | | |
|---|---------|------------------------|---------|---|-----------------|
| THIS DRAWING CONTAINS INFORMATION THAT IS PROPRIETARY TO MOLEX ELECTRONIC TECHNOLOGIES, LLC AND SHOULD NOT BE USED WITHOUT WRITTEN PERMISSION | | CURRENT REV DESC: | | molex | |
| DIMENSION UNITS | SCALE | | | | |
| mm | NTS | | | MICRO-LOCK PLUS 1.25 W/B DUAL ROW VERTICAL SMT PLUG ASSEMBLY GOLD PLATING | |
| GENERAL TOLERANCES (UNLESS SPECIFIED) | | | | | |
| ANGULAR TOL | ± 3.0 ° | | | PRODUCT CUSTOMER DRAWING | |
| 4 PLACES | ± 0.2 | | | | |
| 3 PLACES | ± 0.2 | | | DOCUMENT NUMBER: 5054330003-SD | |
| 2 PLACES | ± 0.2 | | | | |
| 1 PLACE | ± 0.2 | | | DOC TYPE: PSD | |
| 0 PLACES | ± 0.2 | | | | |
| INITIAL REVISION: | | | | DOC PART: 000 | |
| DRWN: TENAGASE | | | | | |
| APPR: KOMURAKAMI | | | | REVISION: D | |
| | | | | | |
| DRAFT WHERE APPLICABLE MUST REMAIN WITHIN DIMENSIONS | | THIRD ANGLE PROJECTION | DRAWING | SERIES | MATERIAL NUMBER |
| | | | A3-SIZE | 505433 | SEE SHEET 5,6 |
| | | | | | CUSTOMER |
| | | | | | GENERAL |
| | | | | | SHEET NUMBER |
| | | | | | 4 OF 6 |

カバーテープ有 WITH COVER TAPE

△ 505433**9*発注番号一覧 ORDER NUMBER LIST


| GREEN | BLUE | RED | BLACK | NATURAL (BEIGE) | HOUSING COLOR |
|--|------------|------------|------------|-----------------|--------------------|
| 5054334296 | 5054334294 | 5054334292 | 5054334291 | 5054334290 | 42 |
| 5054334096 | 5054334094 | 5054334092 | 5054334091 | 5054334090 | 40 |
| 5054333896 | 5054333894 | 5054333892 | 5054333891 | 5054333890 | 38 |
| 5054333696 | 5054333694 | 5054333692 | 5054333691 | 5054333690 | 36 |
| 5054333496 | 5054333494 | 5054333492 | 5054333491 | 5054333490 | 34 |
| 5054333296 | 5054333294 | 5054333292 | 5054333291 | 5054333290 | 32 |
| 5054333096 | 5054333094 | 5054333092 | 5054333091 | 5054333090 | 30 |
| 5054332896 | 5054332894 | 5054332892 | 5054332891 | 5054332890 | 28 |
| 5054332696 | 5054332694 | 5054332692 | 5054332691 | 5054332690 | 26 |
| 5054332496 | 5054332494 | 5054332492 | 5054332491 | 5054332490 | 24 |
| 5054332296 | 5054332294 | 5054332292 | 5054332291 | 5054332290 | 22 |
| 5054332096 | 5054332094 | 5054332092 | 5054332091 | 5054332090 | 20 |
| 5054331896 | 5054331894 | 5054331892 | 5054331891 | 5054331890 | 18 |
| 5054331696 | 5054331694 | 5054331692 | 5054331691 | 5054331690 | 16 |
| 5054331496 | 5054331494 | 5054331492 | 5054331491 | 5054331490 | 14 |
| 5054331296 | 5054331294 | 5054331292 | 5054331291 | 5054331290 | 12 |
| 5054331096 | 5054331094 | 5054331092 | 5054331091 | 5054331090 | 10 |
| 5054330896 | 5054330894 | 5054330892 | 5054330891 | 5054330890 | 8 |
| 発注番号 ORDER NUMBER | | | | | 極数 CIRCUIT SIZE |
| 梱包形態 : エンボステープ、リール PACKAGING STYLE : EMBOSSED TAPE AND REEL | | | | | |

△ 505433**5*発注番号一覧 ORDER NUMBER LIST

| GREEN | BLUE | RED | BLACK | NATURAL (BEIGE) | HOUSING COLOR |
|--|------------|------------|------------|-----------------|--------------------|
| 5054334256 | 5054334254 | 5054334252 | 5054334251 | 5054334250 | 42 |
| 5054334056 | 5054334054 | 5054334052 | 5054334051 | 5054334050 | 40 |
| 5054333856 | 5054333854 | 5054333852 | 5054333851 | 5054333850 | 38 |
| 5054333656 | 5054333654 | 5054333652 | 5054333651 | 5054333650 | 36 |
| 5054333456 | 5054333454 | 5054333452 | 5054333451 | 5054333450 | 34 |
| 5054333256 | 5054333254 | 5054333252 | 5054333251 | 5054333250 | 32 |
| 5054333056 | 5054333054 | 5054333052 | 5054333051 | 5054333050 | 30 |
| 5054332856 | 5054332854 | 5054332852 | 5054332851 | 5054332850 | 28 |
| 5054332656 | 5054332654 | 5054332652 | 5054332651 | 5054332650 | 26 |
| 5054332456 | 5054332454 | 5054332452 | 5054332451 | 5054332450 | 24 |
| 5054332256 | 5054332254 | 5054332252 | 5054332251 | 5054332250 | 22 |
| 5054332056 | 5054332054 | 5054332052 | 5054332051 | 5054332050 | 20 |
| 5054331856 | 5054331854 | 5054331852 | 5054331851 | 5054331850 | 18 |
| 5054331656 | 5054331654 | 5054331652 | 5054331651 | 5054331650 | 16 |
| 5054331456 | 5054331454 | 5054331452 | 5054331451 | 5054331450 | 14 |
| 5054331256 | 5054331254 | 5054331252 | 5054331251 | 5054331250 | 12 |
| 5054331056 | 5054331054 | 5054331052 | 5054331051 | 5054331050 | 10 |
| 5054330856 | 5054330854 | 5054330852 | 5054330851 | 5054330850 | 8 |
| 発注番号 ORDER NUMBER | | | | | 極数 CIRCUIT SIZE |
| 梱包形態 : エンボステープ、リール PACKAGING STYLE : EMBOSSED TAPE AND REEL | | | | | |

△ 505433**3*発注番号一覧 ORDER NUMBER LIST

| GREEN | BLUE | RED | BLACK | NATURAL (BEIGE) | HOUSING COLOR |
|--|------------|------------|------------|-----------------|--------------------|
| 5054334236 | 5054334234 | 5054334232 | 5054334231 | 5054334230 | 42 |
| 5054334036 | 5054334034 | 5054334032 | 5054334031 | 5054334030 | 40 |
| 5054333836 | 5054333834 | 5054333832 | 5054333831 | 5054333830 | 38 |
| 5054333636 | 5054333634 | 5054333632 | 5054333631 | 5054333630 | 36 |
| 5054333436 | 5054333434 | 5054333432 | 5054333431 | 5054333430 | 34 |
| 5054333236 | 5054333234 | 5054333232 | 5054333231 | 5054333230 | 32 |
| 5054333036 | 5054333034 | 5054333032 | 5054333031 | 5054333030 | 30 |
| 5054332836 | 5054332834 | 5054332832 | 5054332831 | 5054332830 | 28 |
| 5054332636 | 5054332634 | 5054332632 | 5054332631 | 5054332630 | 26 |
| 5054332436 | 5054332434 | 5054332432 | 5054332431 | 5054332430 | 24 |
| 5054332236 | 5054332234 | 5054332232 | 5054332231 | 5054332230 | 22 |
| 5054332036 | 5054332034 | 5054332032 | 5054332031 | 5054332030 | 20 |
| 5054331836 | 5054331834 | 5054331832 | 5054331831 | 5054331830 | 18 |
| 5054331636 | 5054331634 | 5054331632 | 5054331631 | 5054331630 | 16 |
| 5054331436 | 5054331434 | 5054331432 | 5054331431 | 5054331430 | 14 |
| 5054331236 | 5054331234 | 5054331232 | 5054331231 | 5054331230 | 12 |
| 5054331036 | 5054331034 | 5054331032 | 5054331031 | 5054331030 | 10 |
| 5054330836 | 5054330834 | 5054330832 | 5054330831 | 5054330830 | 8 |
| 発注番号 ORDER NUMBER | | | | | 極数 CIRCUIT SIZE |
| 梱包形態 : エンボステープ、リール PACKAGING STYLE : EMBOSSED TAPE AND REEL | | | | | |

| | | | | | | | | | | | |
|---|--|------------------------|--|---|--|------------------|--|---|-----------------|---------------------|------------------------|
| THIS DRAWING CONTAINS INFORMATION THAT IS PROPRIETARY TO MOLEX ELECTRONIC TECHNOLOGIES, LLC AND SHOULD NOT BE USED WITHOUT WRITTEN PERMISSION | | | | | | | | | | | |
| DIMENSION UNITS | | SCALE | | CURRENT REV DESC: | | | |  | | | |
| mm | | NTS | | | | | | | | | |
| GENERAL TOLERANCES (UNLESS SPECIFIED) | | | | EC NO: 736271 DRWN: TENAGASE 2023/02/08 CHK'D: SAKIYAMA 2023/02/16 APPR: AIDA 2023/02/16 | | | | MICRO-LOCK PLUS 1.25 W/B DUAL ROW VERTICAL SMT PLUG ASSEMBLY GOLD PLATING | | | |
| ANGULAR TOL ± 3.0 ° | | | | | | | | | | | |
| 4 PLACES ± 0.2 | | 3 PLACES ± 0.2 | | INITIAL REVISION: DRWN: TENAGASE 2020/01/20 APPR: KOMURAKAMI 2020/01/21 | | | | PRODUCT CUSTOMER DRAWING | | | |
| 2 PLACES ± 0.2 | | 1 PLACE ± 0.2 | | | | | | | | | |
| 0 PLACES ± 0.2 | | | | DOCUMENT NUMBER 5054330003-SD | | | | DOC TYPE PSD | DOC PART 000 | REVISION D | |
| DRAFT WHERE APPLICABLE MUST REMAIN WITHIN DIMENSIONS | | THIRD ANGLE PROJECTION | | DRAWING A3-SIZE | | SERIES 505433 | | MATERIAL NUMBER SEE SHEET 5,6 | | CUSTOMER GENERAL | SHEET NUMBER 5 OF 6 |

カバーテープ無 WITHOUT COVER TAPE

△ 505433**6*発注番号一覧 ORDER NUMBER LIST


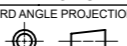
| GREEN | BLUE | RED | BLACK | NATURAL (BEIGE) | HOUSING COLOR |
|--|------------|------------|------------|-----------------|--------------------|
| 5054334266 | 5054334264 | 5054334262 | 5054334261 | 5054334260 | 42 |
| 5054334066 | 5054334064 | 5054334062 | 5054334061 | 5054334060 | 40 |
| 5054333866 | 5054333864 | 5054333862 | 5054333861 | 5054333860 | 38 |
| 5054333666 | 5054333664 | 5054333662 | 5054333661 | 5054333660 | 36 |
| 5054333466 | 5054333464 | 5054333462 | 5054333461 | 5054333460 | 34 |
| 5054333266 | 5054333264 | 5054333262 | 5054333261 | 5054333260 | 32 |
| 5054333066 | 5054333064 | 5054333062 | 5054333061 | 5054333060 | 30 |
| 5054332866 | 5054332864 | 5054332862 | 5054332861 | 5054332860 | 28 |
| 5054332666 | 5054332664 | 5054332662 | 5054332661 | 5054332660 | 26 |
| 5054332466 | 5054332464 | 5054332462 | 5054332461 | 5054332460 | 24 |
| 5054332266 | 5054332264 | 5054332262 | 5054332261 | 5054332260 | 22 |
| 5054332066 | 5054332064 | 5054332062 | 5054332061 | 5054332060 | 20 |
| 5054331866 | 5054331864 | 5054331862 | 5054331861 | 5054331860 | 18 |
| 5054331666 | 5054331664 | 5054331662 | 5054331661 | 5054331660 | 16 |
| 5054331466 | 5054331464 | 5054331462 | 5054331461 | 5054331460 | 14 |
| 5054331266 | 5054331264 | 5054331262 | 5054331261 | 5054331260 | 12 |
| 5054331066 | 5054331064 | 5054331062 | 5054331061 | 5054331060 | 10 |
| 5054330866 | 5054330864 | 5054330862 | 5054330861 | 5054330860 | 8 |
| 発注番号 ORDER NUMBER | | | | | 極数 CIRCUIT SIZE |
| 梱包形態 : エンボステープ、リール PACKAGING STYLE : EMBOSSED TAPE AND REEL | | | | | |

△ 505433**4*発注番号一覧 ORDER NUMBER LIST

| GREEN | BLUE | RED | BLACK | NATURAL (BEIGE) | HOUSING COLOR |
|--|------------|------------|------------|-----------------|--------------------|
| 5054334246 | 5054334244 | 5054334242 | 5054334241 | 5054334240 | 42 |
| 5054334046 | 5054334044 | 5054334042 | 5054334041 | 5054334040 | 40 |
| 5054333846 | 5054333844 | 5054333842 | 5054333841 | 5054333840 | 38 |
| 5054333646 | 5054333644 | 5054333642 | 5054333641 | 5054333640 | 36 |
| 5054333446 | 5054333444 | 5054333442 | 5054333441 | 5054333440 | 34 |
| 5054333246 | 5054333244 | 5054333242 | 5054333241 | 5054333240 | 32 |
| 5054333046 | 5054333044 | 5054333042 | 5054333041 | 5054333040 | 30 |
| 5054332846 | 5054332844 | 5054332842 | 5054332841 | 5054332840 | 28 |
| 5054332646 | 5054332644 | 5054332642 | 5054332641 | 5054332640 | 26 |
| 5054332446 | 5054332444 | 5054332442 | 5054332441 | 5054332440 | 24 |
| 5054332246 | 5054332244 | 5054332242 | 5054332241 | 5054332240 | 22 |
| 5054332046 | 5054332044 | 5054332042 | 5054332041 | 5054332040 | 20 |
| 5054331846 | 5054331844 | 5054331842 | 5054331841 | 5054331840 | 18 |
| 5054331646 | 5054331644 | 5054331642 | 5054331641 | 5054331640 | 16 |
| 5054331446 | 5054331444 | 5054331442 | 5054331441 | 5054331440 | 14 |
| 5054331246 | 5054331244 | 5054331242 | 5054331241 | 5054331240 | 12 |
| 5054331046 | 5054331044 | 5054331042 | 5054331041 | 5054331040 | 10 |
| 5054330846 | 5054330844 | 5054330842 | 5054330841 | 5054330840 | 8 |
| 発注番号 ORDER NUMBER | | | | | 極数 CIRCUIT SIZE |
| 梱包形態 : エンボステープ、リール PACKAGING STYLE : EMBOSSED TAPE AND REEL | | | | | |

△ 505433**2*発注番号一覧 ORDER NUMBER LIST

| GREEN | BLUE | RED | BLACK | NATURAL (BEIGE) | HOUSING COLOR |
|--|------------|------------|------------|-----------------|--------------------|
| 5054334226 | 5054334224 | 5054334222 | 5054334221 | 5054334220 | 42 |
| 5054334026 | 5054334024 | 5054334022 | 5054334021 | 5054334020 | 40 |
| 5054333826 | 5054333824 | 5054333822 | 5054333821 | 5054333820 | 38 |
| 5054333626 | 5054333624 | 5054333622 | 5054333621 | 5054333620 | 36 |
| 5054333426 | 5054333424 | 5054333422 | 5054333421 | 5054333420 | 34 |
| 5054333226 | 5054333224 | 5054333222 | 5054333221 | 5054333220 | 32 |
| 5054333026 | 5054333024 | 5054333022 | 5054333021 | 5054333020 | 30 |
| 5054332826 | 5054332824 | 5054332822 | 5054332821 | 5054332820 | 28 |
| 5054332626 | 5054332624 | 5054332622 | 5054332621 | 5054332620 | 26 |
| 5054332426 | 5054332424 | 5054332422 | 5054332421 | 5054332420 | 24 |
| 5054332226 | 5054332224 | 5054332222 | 5054332221 | 5054332220 | 22 |
| 5054332026 | 5054332024 | 5054332022 | 5054332021 | 5054332020 | 20 |
| 5054331826 | 5054331824 | 5054331822 | 5054331821 | 5054331820 | 18 |
| 5054331626 | 5054331624 | 5054331622 | 5054331621 | 5054331620 | 16 |
| 5054331426 | 5054331424 | 5054331422 | 5054331421 | 5054331420 | 14 |
| 5054331226 | 5054331224 | 5054331222 | 5054331221 | 5054331220 | 12 |
| 5054331026 | 5054331024 | 5054331022 | 5054331021 | 5054331020 | 10 |
| 5054330826 | 5054330824 | 5054330822 | 5054330821 | 5054330820 | 8 |
| 発注番号 ORDER NUMBER | | | | | 極数 CIRCUIT SIZE |
| 梱包形態 : エンボステープ、リール PACKAGING STYLE : EMBOSSED TAPE AND REEL | | | | | |

| | | | | | | | | | | | | | | |
|---|--|--|--|---|--|---------|--|---|--|--------------------------|--|--------------|----------|----------|
| THIS DRAWING CONTAINS INFORMATION THAT IS PROPRIETARY TO MOLEX ELECTRONIC TECHNOLOGIES, LLC AND SHOULD NOT BE USED WITHOUT WRITTEN PERMISSION | | | | | | | | | | | | | | |
| DIMENSION UNITS | | SCALE | | CURRENT REV DESC: | | | |  | | | | | | |
| mm | | NTS | | | | | | | | | | | | |
| GENERAL TOLERANCES (UNLESS SPECIFIED) | | | | EC NO: 736271 DRWN: TENAGASE 2023/02/08 CHK'D: SAKIYAMA 2023/02/16 APPR: AIDA 2023/02/16 | | | | MICRO-LOCK PLUS 1.25 W/B DUAL ROW VERTICAL SMT PLUG ASSEMBLY GOLD PLATING | | | | | | |
| ANGULAR TOL ± 3.0 ° | | | | | | | | | | PRODUCT CUSTOMER DRAWING | | | | |
| 4 PLACES ± 0.2 | | INITIAL REVISION: | | | | | | DOCUMENT NUMBER | | | | DOC TYPE | DOC PART | REVISION |
| 3 PLACES ± 0.2 | | DRWN: TENAGASE 2020/01/20 | | | | | | 5054330003-SD | | | | PSD | 000 | D |
| 2 PLACES ± 0.2 | | APPR: KOMURAKAMI 2020/01/21 | | | | | | MATERIAL NUMBER | | CUSTOMER | | SHEET NUMBER | | |
| 1 PLACE ± 0.2 | | DRAFT WHERE APPLICABLE MUST REMAIN WITHIN DIMENSIONS | | THIRD ANGLE PROJECTION | | DRAWING | | SERIES | | | | | | |
| 0 PLACES ± 0.2 | | | |  | | A3-SIZE | | 505433 | | | | | | |
| | | | | SEE SHEET 5,6 | | GENERAL | | 6 OF 6 | | | | | | |