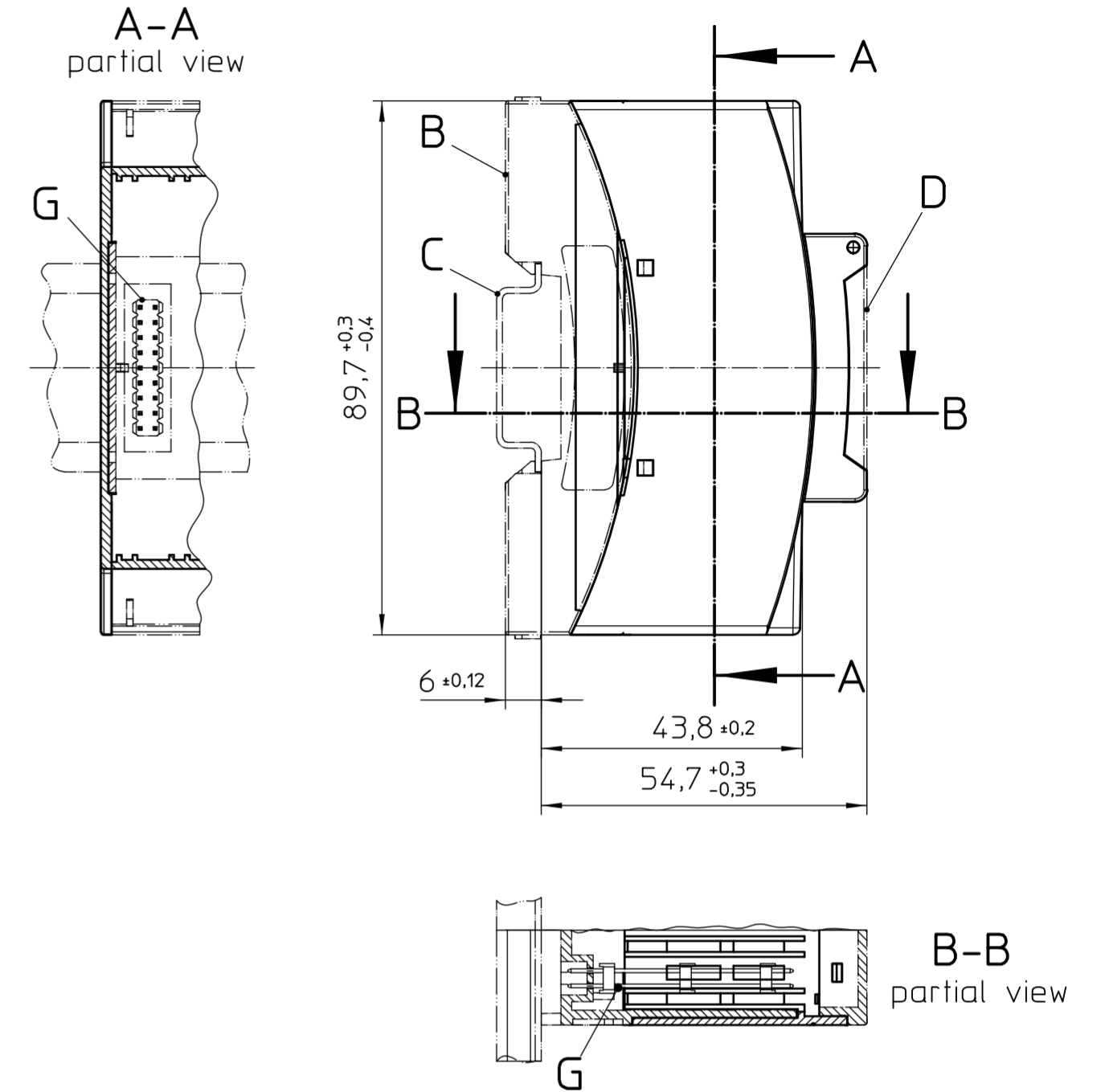
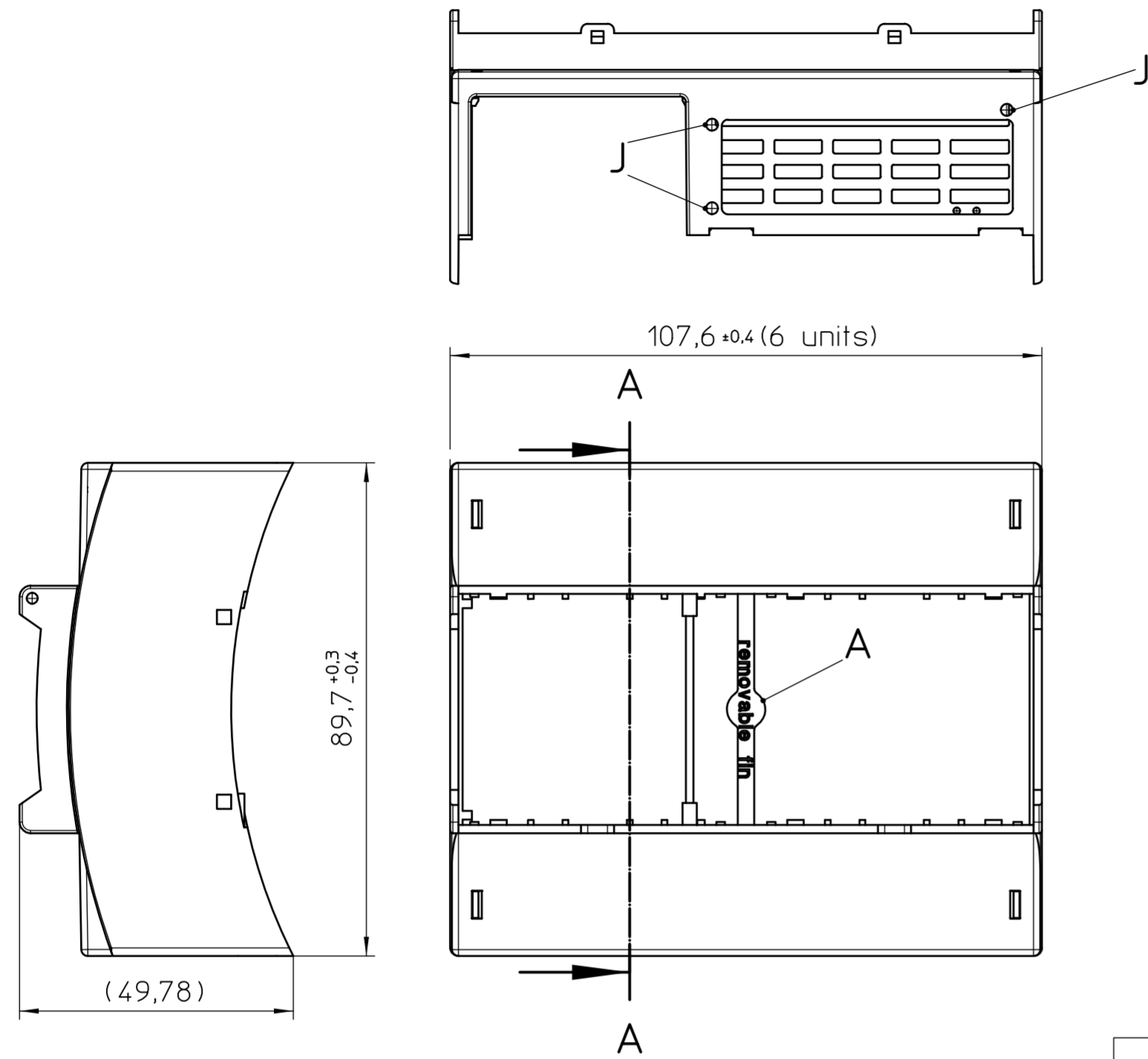


HOUSING UPPER PART: RPI HS BC 107,6

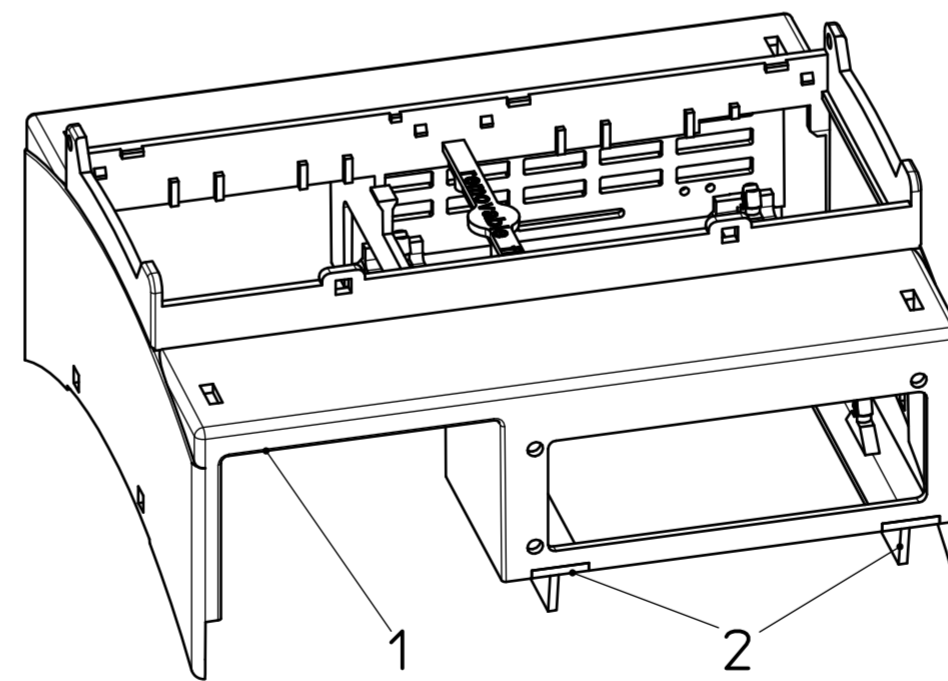
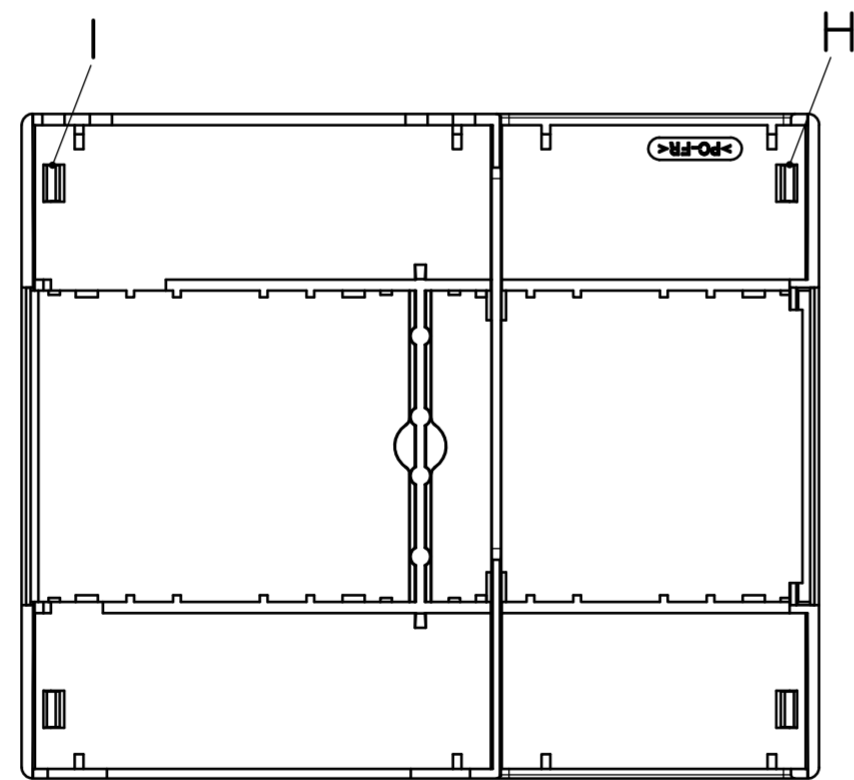
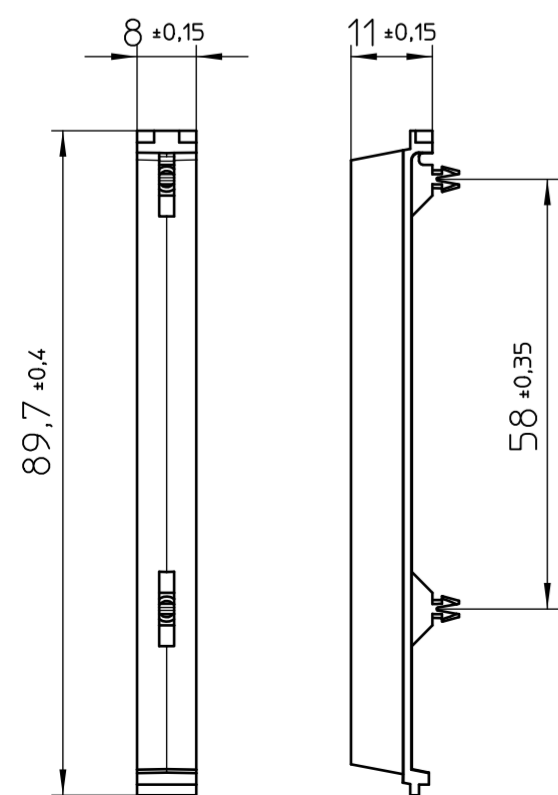
Assembly example
Overall dimensions complaint DIN 43880



Transfer or duplication of this document as well as the utilisation or communication of its content are not permitted unless express consent is granted. Violations give rise to claims for damages. All rights reserved in case of patent, utility model or design patent registrations.

Weitergabe sowie Vervielfältigung dieses Dokuments, Verwertung und Mitteilung seines Inhalts sind verboten, soweit nicht ausdrücklich gestattet. Zuwiderhandlungen verpflichten zu Schadensersatz. Alle Rechte für den Fall der Patent-, Gebrauchsmuster- oder Designeintragung vorbehalten.

PCB HOLDER



General Information:

- Simplified representation
- Document excluded from change process
- Linear dimensions [mm]
- Tolerances apply in a normale climate according to DIN 50014-23/50-2.
- Further information: www.phoenixcontact.com webcode: #0664

- A. Removeable fin
- B. Housing lower part (BC 107,6 UT HBUS)
- C. Mounting rail like EN 60715: TH 35-7,5 or mounting rail TH 35-15x1,5 similar to EN 60715
- D. Cover
- E. PCB
- F. Position PCB Ext and PCB Int
- G. Plug for HBUS (PSTD 0,65X0,65/18-3IS-2,54)
- H. Latching for PCB (RPI-BC EXT-PCB HBUS SET)
- I. Latching for PCB (RPI-BC INT-PCB SET)
- J. Mounting holes for RPI-BC A+-ADAPTER ATGY

KIT

RPI-BC 107,6 DEV-KIT P10

Pos.	QTY	Description
1	1	HOUSING UPPER PART
2	2	PCB Holder

DIN A2	document-No. / RI 00911685 / 01	date 11.02.2016	scale 1:1
	ident.-No. 2202875	document-type Customer drawing	
page 1 of 1	description RPI-BC 107,6 DEV-KIT KMGY P10		