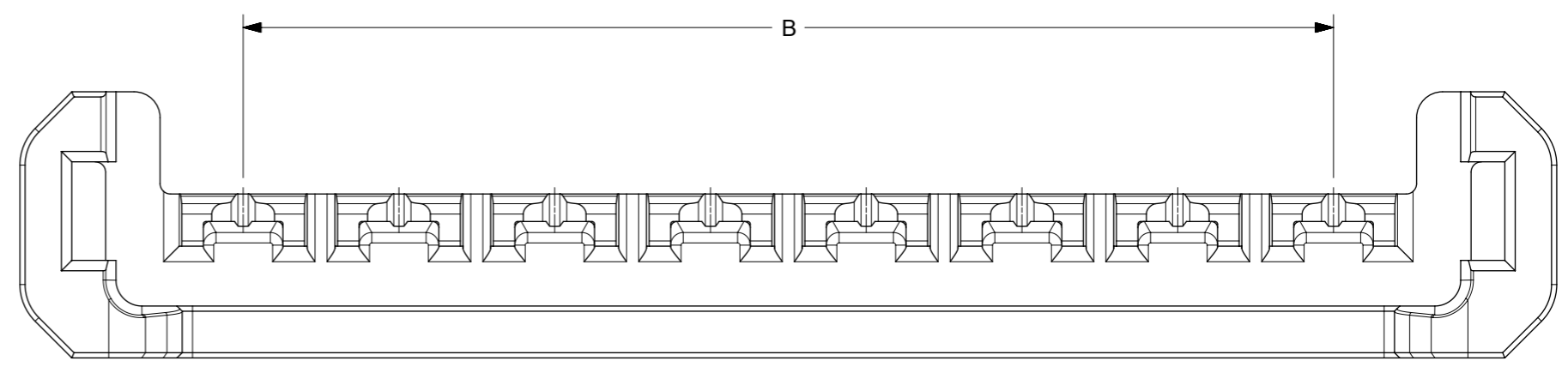
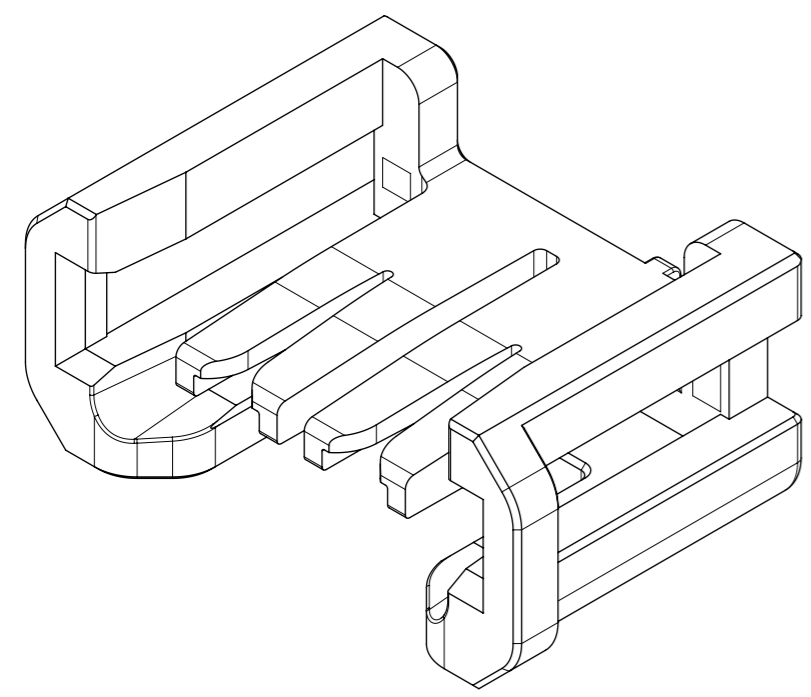


- NOTES:
1. MATERIAL:
PA66,
UL RATED 94V-0
COLOR: BLACK
 2. 150212 SERIES PARTS ARE USED WITH 150170 HOUSING SERIES.
 3. PRODUCT SPECIFICATION PS-150197-0000
 4. PACKAGING SPECIFICATION PK-150212-0000
 5. COSMETIC SPECIFICATION: PS-45499-002 CLASS B



PART NUMBER	CIRCUIT SIZE	A	B
1502120002	2	11.6	3.0
1502120003	3	14.6	6.0
1502120004	4	17.6	9.0
1502120005	5	20.6	12.0
1502120006	6	23.6	15.0
1502120007	7	26.6	18.0
1502120008	8	29.6	21.0

THIS DRAWING CONTAINS INFORMATION THAT IS PROPRIETARY TO MOLEX ELECTRONIC TECHNOLOGIES, LLC AND SHOULD NOT BE USED WITHOUT WRITTEN PERMISSION

DIMENSION UNITS mm	SCALE 8:1	CURRENT REV DESC: DOC TYPE MODIFIED		molex		
GENERAL TOLERANCES (UNLESS SPECIFIED)		EC NO: 177380				
ANGULAR TOL ± 0.5°	4 PLACES ±	DRWN: NCSR	2018/05/29	PRODUCT CUSTOMER DRAWING		
3 PLACES ±	3 PLACES ±	CHK'D: NCSR	2018/05/31	DOCUMENT NUMBER		
2 PLACES ± 0.13	2 PLACES ±	APPR: NCSR	2018/05/31	SD-150212-0000		
1 PLACE ± 0.25	1 PLACE ±	INITIAL REVISION:		DOC TYPE	DOC PART	REVISION
0 PLACES ±	0 PLACES ±	DRWN: GES	2015/04/03	PSD	001	A1
DRAFT WHERE APPLICABLE MUST REMAIN WITHIN DIMENSIONS	THIRD ANGLE PROJECTION	DRAWING	SERIES	MATERIAL NUMBER	CUSTOMER	SHEET NUMBER
		A3-SIZE	150212	SEE TABLE	GENERAL MARKET	1 OF 1