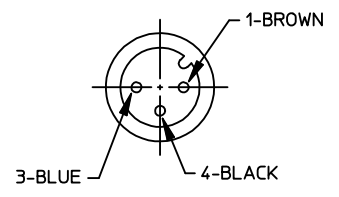
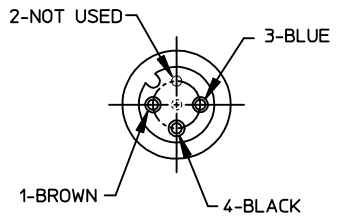
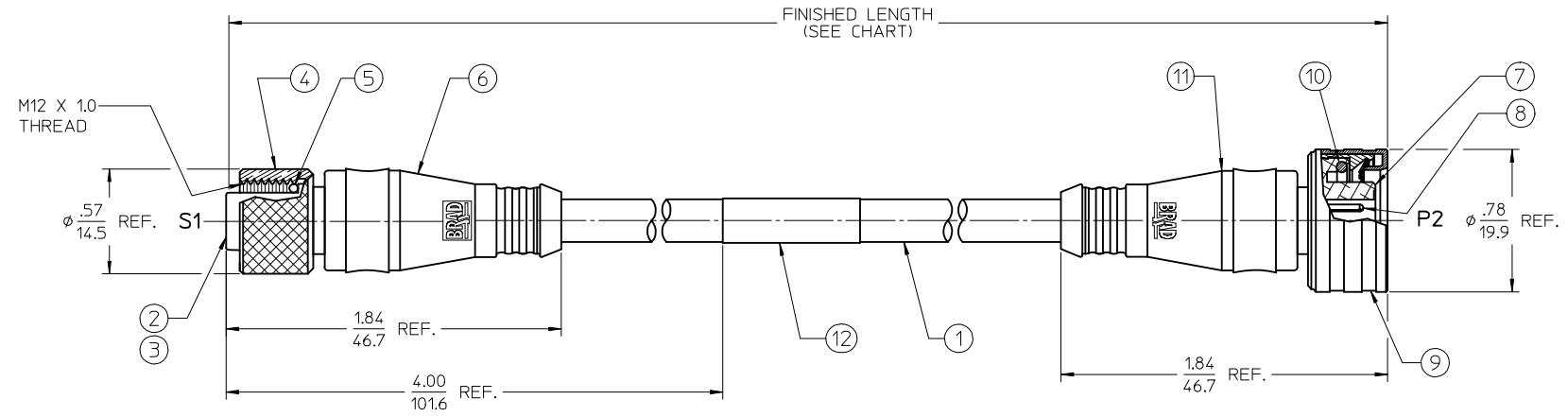


FRONT VIEW - FEMALE INSERT

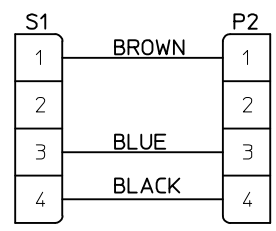
FRONT VIEW - MALE INSERT



MATERIAL NO.	ENGINEERING NO.	FINISHED LENGTH
1200800068	8W3030K05M010	3'3" +2.19/-0 (1M +55.6mm/-0)
1200800069	8W3030K05M020	6'7" +3.50/-0 (2M +88.9mm/-0)
1200800476	8W3030K05M030	9'10" +3.50/-0 (3M +88.9mm/-0)
1200800070	8W3030K05M040	13'1" +6.50/-0 (4M +165.1mm/-0)
1200800071	8W3030K05M050	16'5" +6.50/-0 (5M +165.1mm/-0)



- NOTES:
1. MATERIAL: SEE TABLE
 2. FINISHES: SEE TABLE
 3. ELECTRICAL SPECIFICATIONS
VOLTAGE RATING: 250V AC/DC
CURRENT RATING: 4 AMPS
 4. PROTECTION: IP67
 5. ASSEMBLY IS RoHS COMPLIANT BY EXEMPTION



WIRING DIAGRAM

ITEM	QTY.	DESCRIPTION	MATERIAL	FINISH
12	1	WRAP LABEL	VINYL	BLACK/YELLOW
11	1	U-LOCK OVERMOLD	TPE	YELLOW
10	1	U-LOCK O-RING	VITON	GREEN
9	1	U-LOCK MALE COUPLING	BRASS	TEFLON/WHITE-BRONZE
8	3	CONTACT PIN	Cu ALLOY	GOLD PLATED
7	1	U-LOCK INSERT, MALE, 3P	PUR	BLACK
6	1	MIC OVERMOLD	TPE	YELLOW
5	1	MIC O-RING	VITON	RED
4	1	MIC COUPLING	BRASS	TEFLON/NICKEL PLATED
3	3	CONTACT SOCKET	Cu ALLOY	GOLD PLATED
2	1	MIC INSERT, FEMALE, 3P	PUR	BLACK
1	A/R	CABLE, 22/3 ITC/PLTC	TPE JACKET	YELLOW

NEW SALES DOC
EC NO: IPG2013-1402
DRAWN BY: DRWINSTONE 2013/03/08
CHKD BY: JOZWIK 2013/03/15
APPR: JF MURPHY 2013/04/25

QUALITY SYMBOLS
▽=0
▽=0

GENERAL TOLERANCES (UNLESS SPECIFIED)

	mm	INCH
4 PLACES ±	---	---
3 PLACES ±	---	---
2 PLACES ±	---	±.01
1 PLACE ±	0.3	---
0 PLACE ±	---	---

ANGULAR ± 2°

DRAFT WHERE APPLICABLE MUST REMAIN WITHIN DIMENSIONS

DIMENSION STYLE
IN/MM

DRAWN BY: RSTONE DATE: 2013/03/08
CHECKED BY: K JOZWIK DATE: 2013/03/15
APPROVED BY: JFMURPHY DATE: 2013/04/25

MATERIAL NO.
SEE CHART

SCALE 2:1
DESIGN UNITS INCH
THIRD ANGLE PROJECTION

TITLE
MIC 3P MALE STR U-LOCK TO MIC 3P FEM STR, 22/3

molex

DOCUMENT NO. SD-120080-038
SHEET NO. 1 OF 1

THIS DRAWING CONTAINS INFORMATION THAT IS PROPRIETARY TO MOLEX INCORPORATED AND SHOULD NOT BE USED WITHOUT WRITTEN PERMISSION