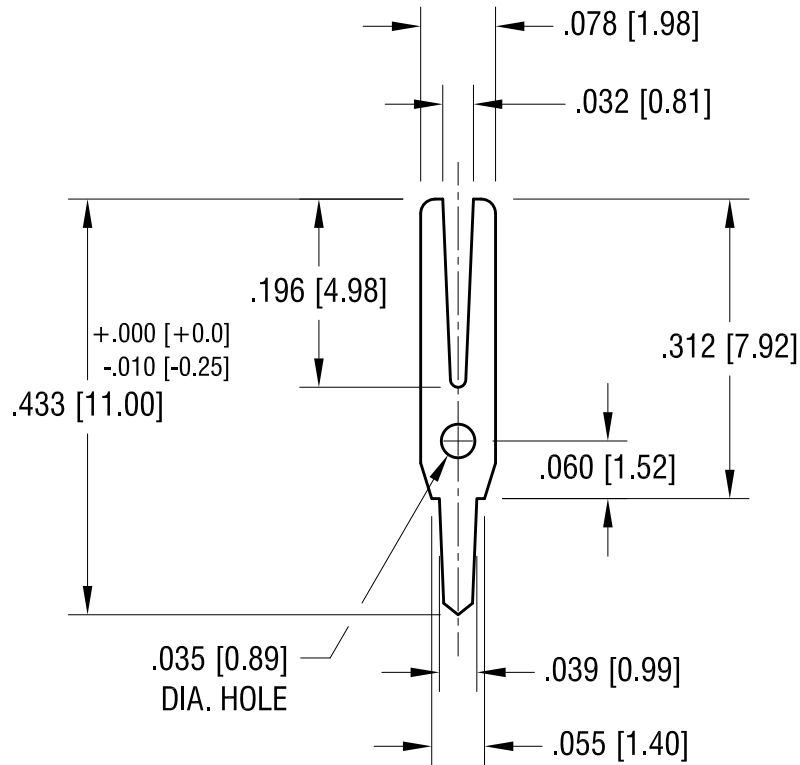


THIS DOCUMENT IS THE PROPERTY OF
KEYSTONE ELECTRONICS CORP. AND
SHALL NOT BE REPRODUCED, DISTRIBUTED
OR USED AS A BASIS FOR MANUFACTURE
WITHOUT PRIOR WRITTEN PERMISSION
FROM KEYSTONE ELECTRONICS CORP.

ACTUAL SIZE



KEYSTONE ELECTRONICS CORP.

www.keyelco.com • NEW HYDE PARK, NY 11040 • Tel (516) 328-7500

PART NAME
PC TEST POINT TERMINAL

MATERIAL
.016 [0.41] TH'K BRASS

| | | | | |
|----------------------------------|--------|-------|-------|----------|
| FINISH MATTE TIN PLATE | DRN BY | BOONE | DATE | 11.08.93 |
| | APP'D | LN | SCALE | 5X |

| | | | | |
|----------------------------|--------|----------|------|-------------|
| TOLERANCES | INCH | [MM] | CODE | DWG NO. |
| DECIMAL | ± .005 | [± 0.13] | C | 1037 |
| ANGULAR | ± 1° | | | |
| UNLESS OTHERWISE SPECIFIED | | | | |

| | | |
|---------|-------------------------------|------|
| 7.07.09 | ECN 09-095 FINISH WAS TIN PL. | D |
| 9.06.05 | CHANGE AS PER ECN 05-063 | C |
| DATE | DESCRIPTION | REV. |