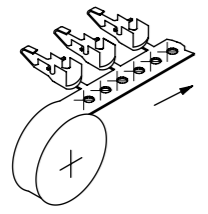


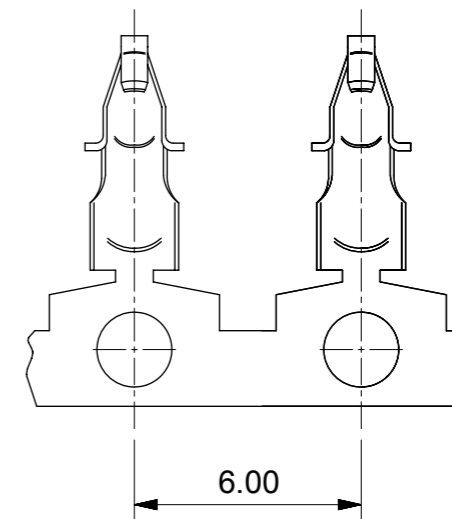
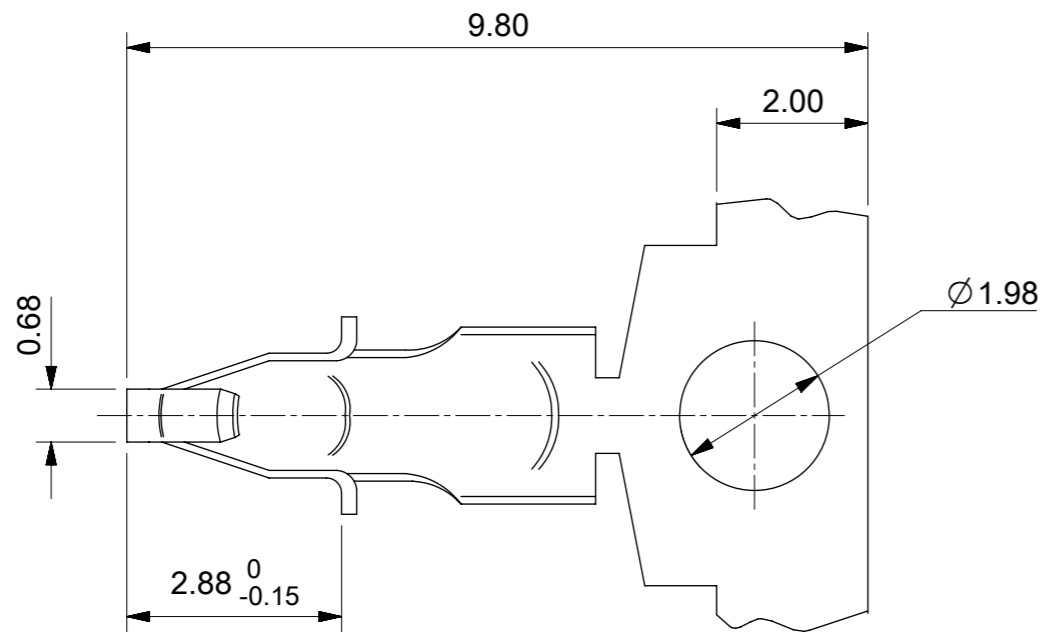
- NOTES:
1. MATERIAL: 0.20 PHOS.BR. PER E.S. 99001-0545.
 2. PLATING: HOT TIN DIP 1.0 μ m - 2.5 μ m
 3. TERMINAL WILL ACCOMODATE
22 AAWG SOLID OR FUSED WIRE
24 AND 26 AWG SOLID, STRANDED OR FUSED WIRE
WIRE 1.52 MAX. INSULATION DIA.
 4. P.C.B. MOUNTING HOLE:
22 AWG DIA 1.23/1.30 - .048/.051
24 AND 26 AWG DIA 1.17/1.25 - .046/.049
 5. MAX. PCB THICKNESS 1.57 \pm 0.20

NOTE: INTER LEAF PAPER
BETWEEN LAYERS

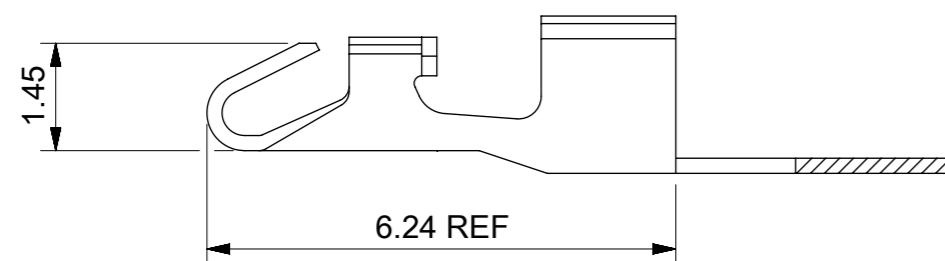


UNREEILING DIRECTION
TO CUSTOMER

SYMBOLS	THIS DRAWING CONTAINS INFORMATION THAT IS PROPRIETARY TO MOLEX ELECTRONIC TECHNOLOGIES, LLC AND SHOULD NOT BE USED WITHOUT WRITTEN PERMISSION		CURRENT REV DESC: CAD MIGRATION			molex					
	DIMENSION UNITS	SCALE							EC NO: 610359	DRWN: CRAODOREMS	2019/01/11
▽ = 0	mm	10:1	DRWN: DMAHER	2019/02/06	CHK'D: DMAHER	2019/02/06	PRODUCT CUSTOMER DRAWING	DOCUMENT NUMBER	DOC TYPE	DOC PART	REVISION
▽ = 0	GENERAL TOLERANCES (UNLESS SPECIFIED)		APPR: DMAHER	2019/02/06	INITIAL REVISION:	DRWN: MC	1988/10/03	SD-90198	PSD	001	N
▽ = 0	ANGULAR TOL \pm 0.5°		APPR: MWILHITE	1996/07/22	0 PLACES \pm	0 PLACES \pm					
▽ = 0	4 PLACES \pm				DRAFT WHERE APPLICABLE MUST REMAIN WITHIN DIMENSIONS	THIRD ANGLE PROJECTION	DRAWING	SERIES	MATERIAL NUMBER	CUSTOMER	SHEET NUMBER
▽ = 0	3 PLACES \pm						A3-SIZE	90198	901980002	GENERAL MARKET	1 OF 2
▽ = 0	2 PLACES \pm 0.2										
▽ = 0	1 PLACE \pm 0.38										
▽ = 0	0 PLACES \pm										



SCALE 5:1



NOTES:

1. MATERIAL: 0.20 PHOSPHOR BRONZE
2. PLATING: HOT TIN DIP
3. TERMINAL WILL ACCOMODATE
22 AWG SOLID OR FUSED WIRE
24 AND 26 AWG SOLID, STRANDED OR FUSED WIRE
WIRE 1.52 MAX. INSULATION DIA.
4. P.C.B. MOUNTING HOLE:
22 AWG DIA 1.23/1.30 - .048/.051
24 AND 26 AWG DIA 1.17/1.25 - .046/.049
5. MAX. PCB THICKNESS 1.19±0.20

SYMBOLS	THIS DRAWING CONTAINS INFORMATION THAT IS PROPRIETARY TO MOLEX ELECTRONIC TECHNOLOGIES, LLC AND SHOULD NOT BE USED WITHOUT WRITTEN PERMISSION										
	DIMENSION UNITS	SCALE	CURRENT REV DESC: CAD MIGRATION							molex	
▽ = 0	mm	10:1	EC NO: 610359								
▽ = 0	GENERAL TOLERANCES (UNLESS SPECIFIED)		DRWN: CRAODOREMS 2019/01/11							STAND ALONE 1TNL	
▽ = 0	ANGULAR TOL ± 0.5°		CHK'D: DMAHER 2019/02/06							PRODUCT CUSTOMER DRAWING	
▽ = 0	4 PLACES	±	APPR: DMAHER 2019/02/06							DOCUMENT NUMBER	
▽ = 0	3 PLACES	±	INITIAL REVISION:							SD-90198	
▽ = 0	2 PLACES	± 0.2	DRWN: CTOBIN 1998/07/06							DOC TYPE	
▽ = 0	1 PLACE	± 0.38	APPR: MWILHITE 1998/07/06							DOC PART	
▽ = 0	0 PLACES	±	DRAFT WHERE APPLICABLE MUST REMAIN WITHIN DIMENSIONS							REVISION	
□ = 0	THIRD ANGLE PROJECTION		DRAWING		SERIES	MATERIAL NUMBER	CUSTOMER	SHEET NUMBER			
▽ = 0	A3-SIZE		90198	901980002	GENERAL MARKET	2 OF 2					