

MATERIALS AND FINISHES:

BODY, COUPLING NUT: BRASS
PLATED SEE TABLE

CENTER CONTACT: BRASS
PLATED GOLD
SEE TABLE

INSULATOR: TEFLON

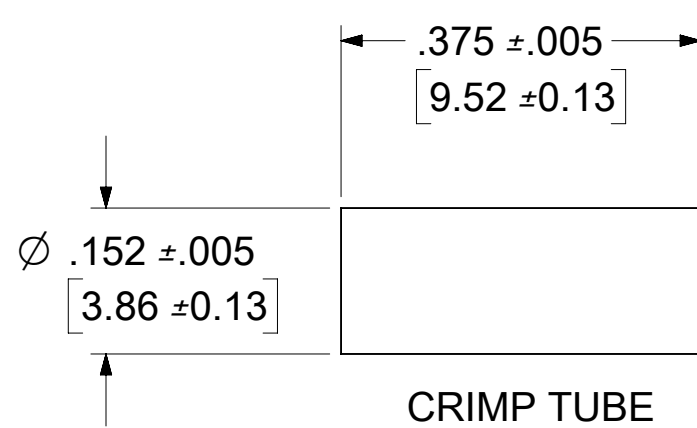
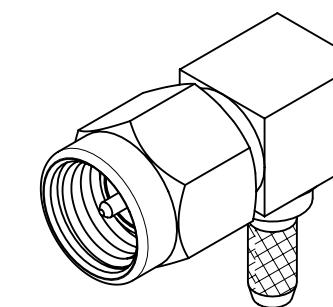
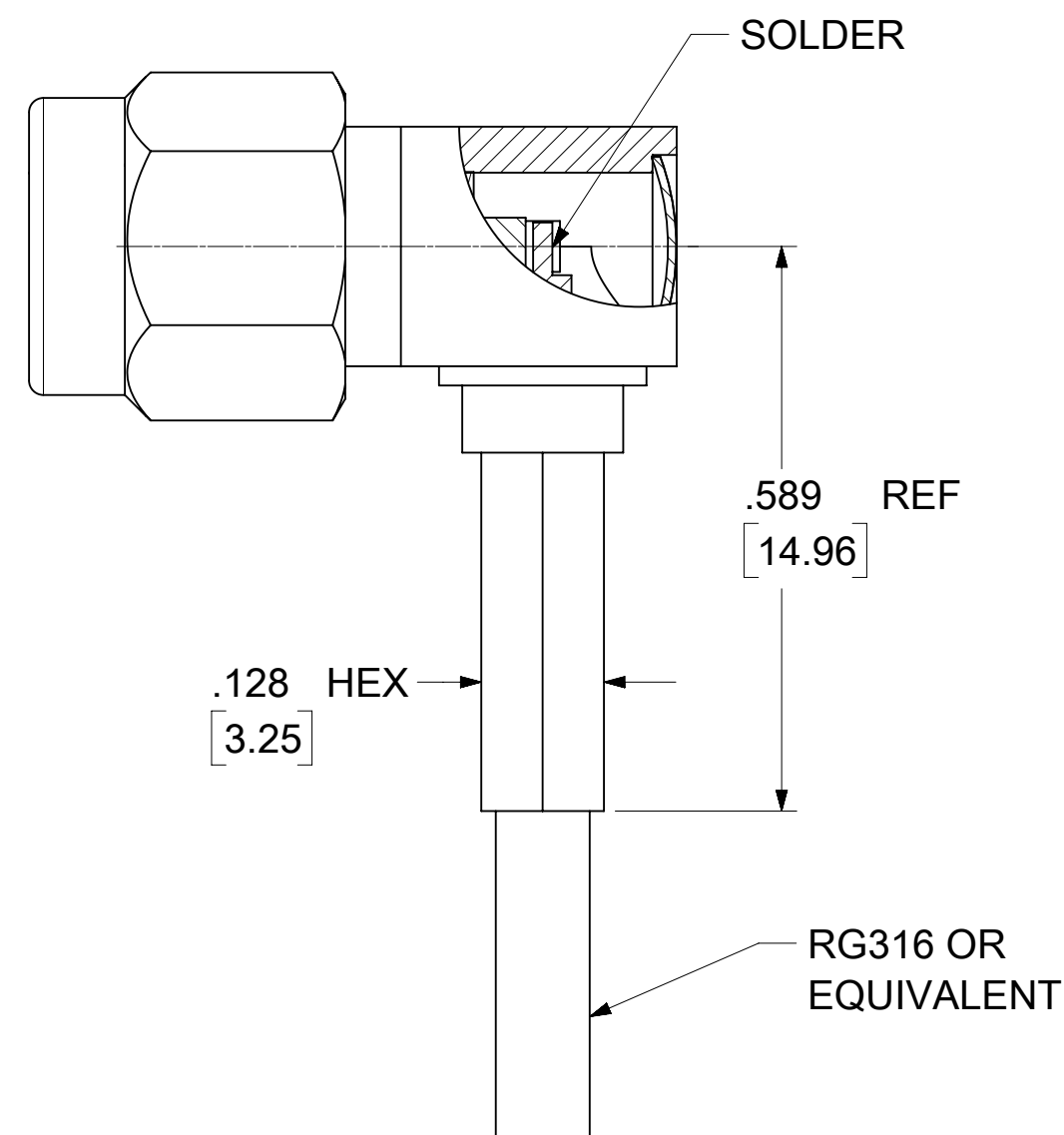
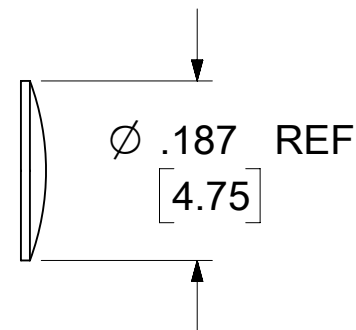
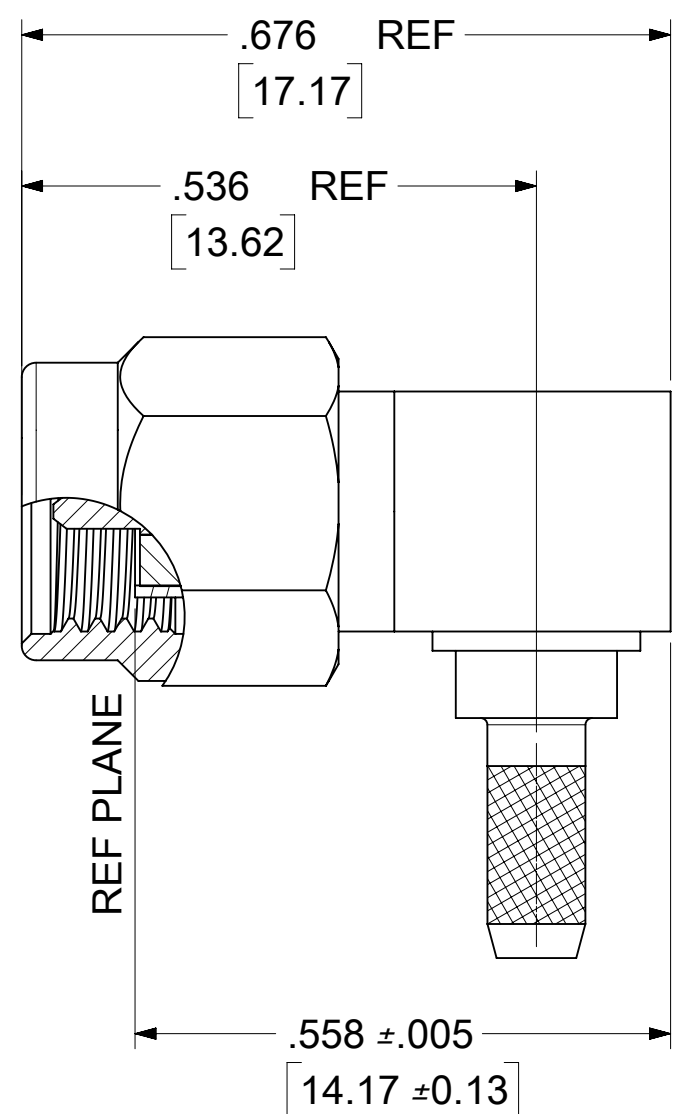
CAP: STAINLESS STEEL
PASSIVATED

C'RING: BERYLLIUM COPPER

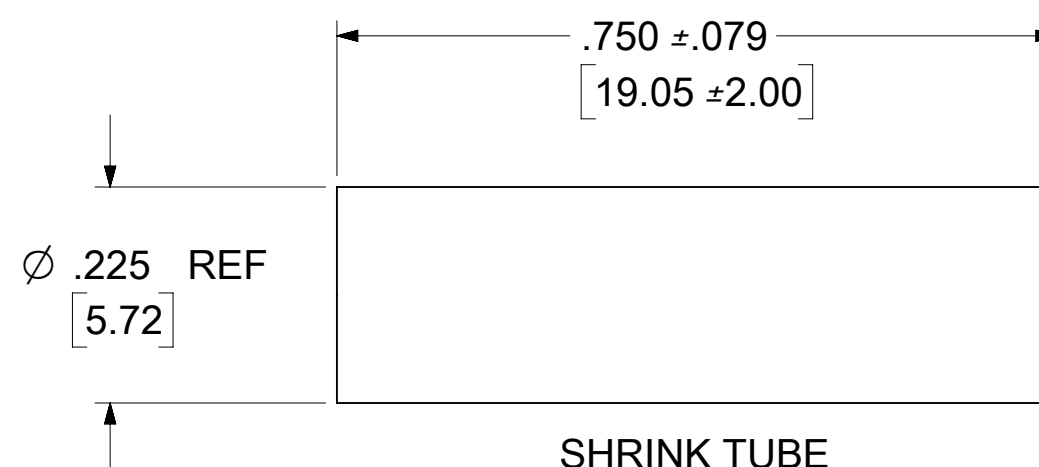
CRIMP TUBE: BRASS
PLATED SEE TABLE

GASKET: SILICONE RUBBER

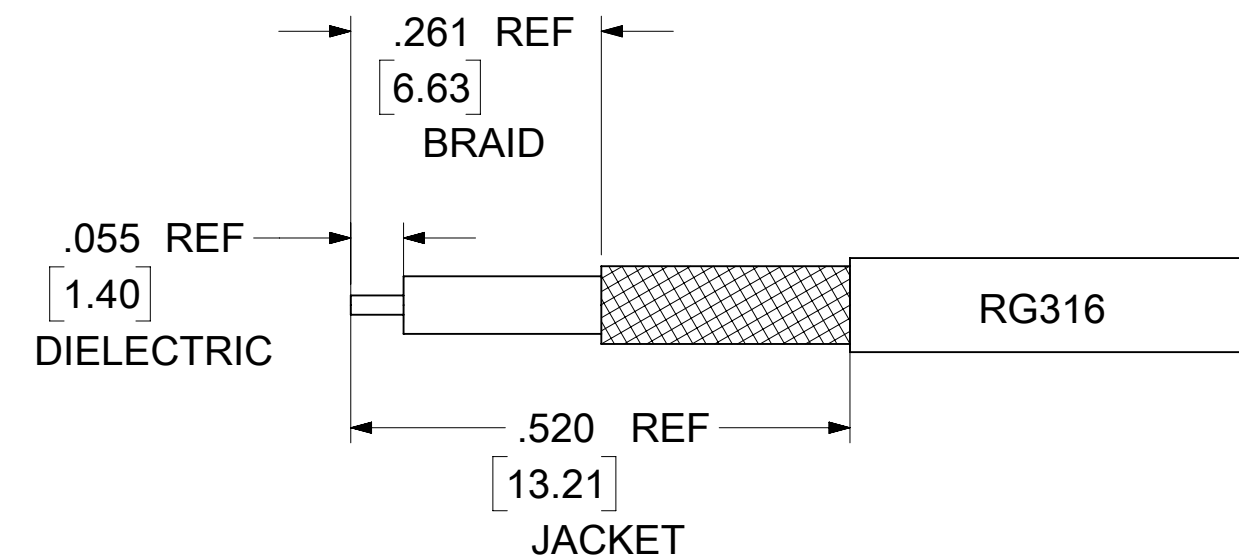
SHRINK TUBE: VERSAFIT
SEE TABLE



CRIMP TUBE



SHRINK TUBE
(73391-0231) ONLY



RECOMMENDED CABLE STRIP

73391-0236	NOT INCLUDED	GOLD (5µ" MIN.)	GOLD (5µ" MIN.)	GOLD (30µ" MIN.)	STANDARD TRAY (PER SPEC PK-89542-006)
73391-0235	NOT INCLUDED	NICKEL	NICKEL	GOLD	STANDARD TRAY (PER SPEC PK-89542-006)
73391-0234	NOT INCLUDED	GOLD	NICKEL	GOLD	73391-0230 PACKED ONE PER BAG
73391-0233	NOT INCLUDED	GOLD	GOLD	GOLD	STANDARD TRAY (PER SPEC PK-89542-006)
73391-0232	NOT INCLUDED	GOLD	NICKEL	GOLD	73391-0230 PACKED IN SMALL TRAY (20 CAVITY)
73391-0231	INCLUDED	GOLD	NICKEL	GOLD	STANDARD TRAY (PER SPEC PK-89542-006)
73391-0230	NOT INCLUDED	GOLD	NICKEL	GOLD	STANDARD TRAY (PER SPEC PK-89542-006)
PART NO.	SHRINK TUBE	BODY & NUT	CRIMP TUBE	CONTACT	PACKAGING
		PLATING	PLATING	PLATING	

* THE GOLD PLATING IS 1µ" MIN. EXCEPT FOR 73251-0236

PS-89675-3460	ELECTRICAL/MECHANICAL
MIL-STD-348A, FIG. 310-1	INTERFACE
SPECIFICATION	DESCRIPTION

A8	2020/04/23	ADD -0236 PER EWR13738-B
REV.	DATE	DESCRIPTION

FUNCTIONAL SYMBOLS	THIS DRAWING CONTAINS INFORMATION THAT IS PROPRIETARY TO MOLEX ELECTRONIC TECHNOLOGIES, LLC AND SHOULD NOT BE USED WITHOUT WRITTEN PERMISSION		CURRENT REV DESC:		molex
$\frac{E}{A} = 0$ $\frac{E}{C} = 0$ $\frac{E}{P} = 0$	DIMENSION UNITS	SCALE	EC NO: 637132 DRWN: CWEI02 CHK'D: YCHENG APPR: YCHENG		
DIVISIONAL SYMBOLS	INCH	NTS	2020/04/23 2020/05/20 2020/05/20		SMA PLUG R/A 50 OHMS FOR RG-316 SMA-PC/RA EWR-1765
	GENERAL TOLERANCES (UNLESS SPECIFIED)		INITIAL REVISION:		PRODUCT CUSTOMER DRAWING
	ANGULAR TOL ± 2.0°		DRWN: LYNN LIN APPR: MISEN		DOCUMENT NUMBER
	4 PLACES ±		2001/01/30 2001/01/30		SD-73391-023
	3 PLACES ±	0.01			DOC TYPE
	2 PLACES ±				DOC PART
	1 PLACE ±				REVISION
	0 PLACES ±				A8
DRAFT WHERE APPLICABLE MUST REMAIN WITHIN DIMENSIONS	THIRD ANGLE PROJECTION	DRAWING	SERIES	MATERIAL NUMBER	CUSTOMER
		C-SIZE	73391	SEE TABLE	GENERAL MARKET
					SHEET NUMBER
					1 OF 1