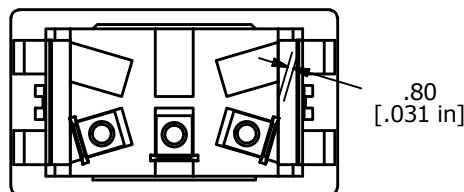
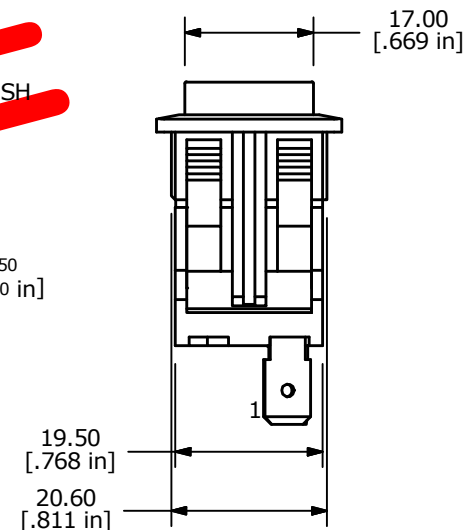
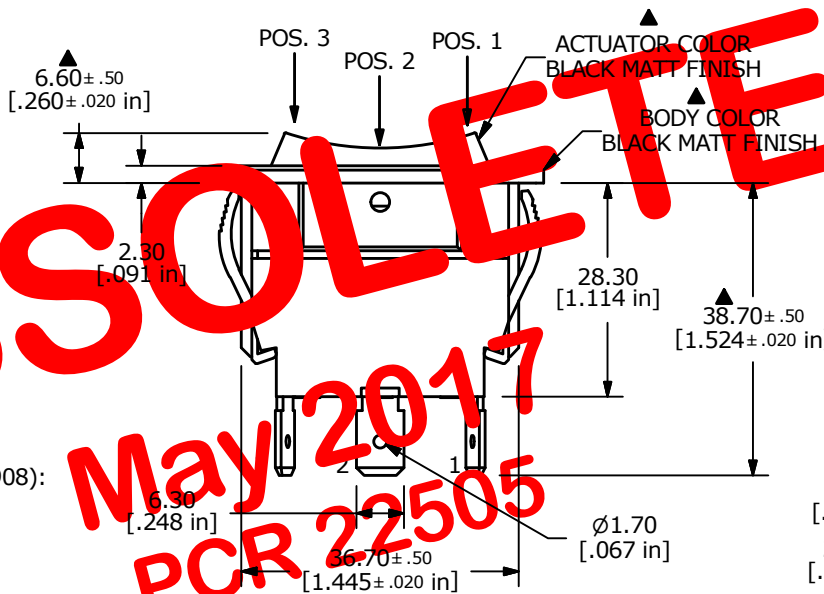
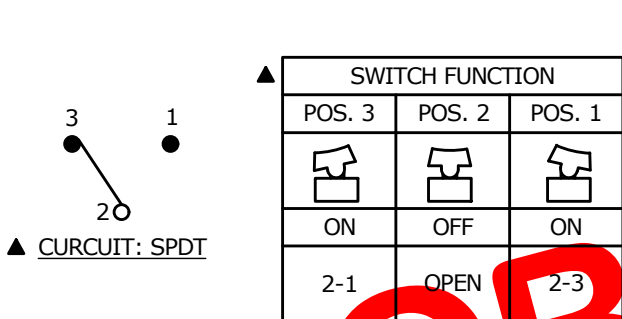
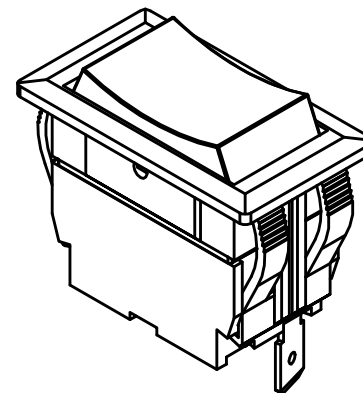
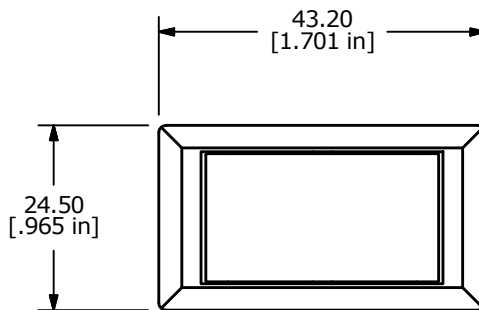


SUGGESTED PANNELL CUTOUT
MAX PANEL THICKNESS 6.0mm



NOTES:

1. ALL DIMESNSIONS IN MM [INCH]
2. GENERAL TOLERANCE: X.X±0.4
X.XX±0.25
- ▲ 3. RATINGS: ANSI/UL 508 AND CAN/CSA C22.2 NO.14 (E195908):
20A, 125VAC [cURus]
15A, 277VAC [cURus]
ⓑ 2HP, 110/250VAC [cURus]
4. CONTACT RESISTANCE: 50 mΩ MAX. @ 50VAC
5. INSULATION RESISTANCE: 800 MΩ MIN. @ 500VDC
6. OPERATING TEMPERATURE: -20°C TO +65°C [cURus, CSA]
-20°C TO +125°C [VDE]
7. ELECTRICAL LIFE: 6,000 [cURus]
8. DIELECTRIC STRENGTH: 1,500V FOR 1 MINUTE
9. OPERATING TEMPERATURE: -20°C TO 55°C [cURus]
- ▲ 10. INGRESS PROTECTION: IP54
11. ▲ DENOTES CRITICAL PARAMETER
12. 2002/95/EC (RoHS) COMPLIANT.

OBSOLETE

May 2017

PCR 22505



B	20444	CORRECT 2HP RATING	1/31/12	BGL
A	20421	RELEASE FOR PRODUCTION	1/24/12	BGL
REV	PCR NO	DESCRIPTION	DATE	BY

TITLE RVW45D1100				
SCALE 1:1	DATE 1/24/2012	DR BGL	DWG 34-RVW45D1100	REV B

THE INFORMATION CONTAINED IN THIS DOCUMENT IS PROPRIETARY TO E-SWITCH AND IS NOT TO BE COPIED OR TRANSFERRED