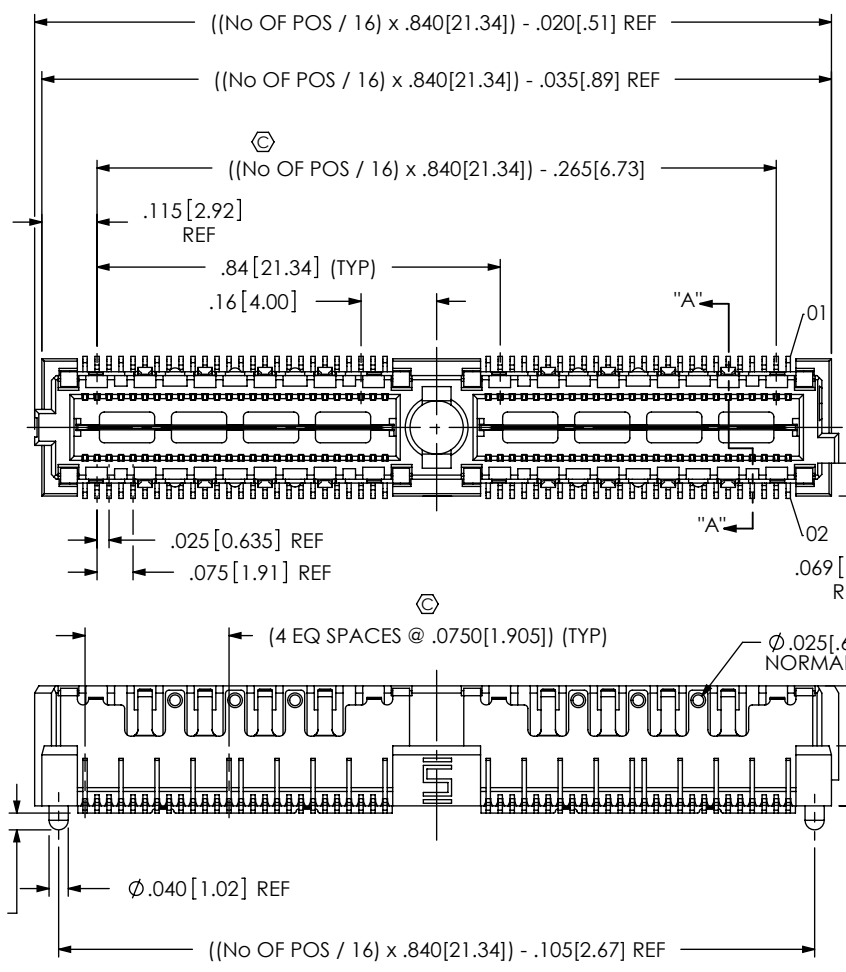


QMSS-XXX-XX.XX-X-D-DP-X-XXX-XX



**No OF PAIRS**  
 -016, -032, -048, -064, \* -080 (PER ROW)

**LEAD STYLE**  
 -06.75 (SEE FIG 1, SEE NOTE 9)

**PLATING SPECIFICATION**  
 -L: 10µ" LIGHT GOLD IN CONTACT AREA  
 MATTE TIN ON TAIL (USE T-1M19-06.75-L)  
 -H: 30µ" HEAVY GOLD IN CONTACT AREA  
 3µ" GOLD ON TAIL (USE T-1M19-06.75-H)  
 (ALL PLATING STYLES USE SH1-XX-L & T-1G19-06.75-L)

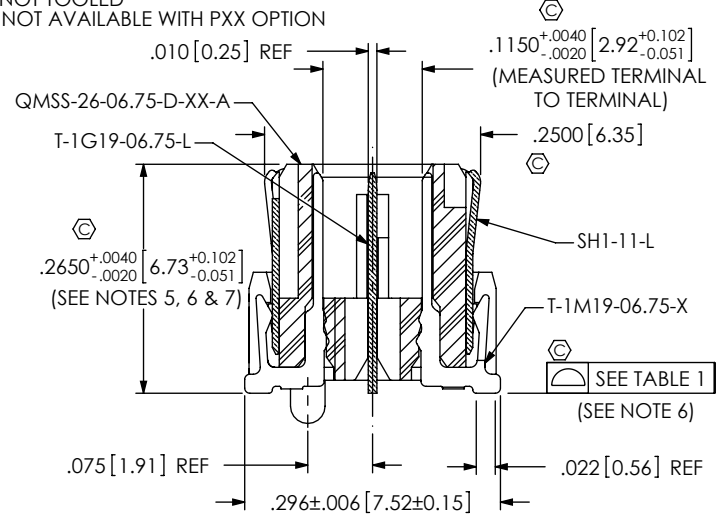
**ROW SPECIFICATION**  
 -D: DOUBLE  
 -DP: DIFFERENTIAL PAIRS  
 SEE FIG 1 FOR SHIELD BEAM CONFIGURATION

**OPTION**  
 \*\* -A: ALIGNMENT PIN

**PACKAGING OPTION**  
 -TR: TAPE & REEL  
 (-016 THRU -048 WITHOUT OPTIONS  
 -GP OR -PXX, -016 THRU -032 WITH  
 OPTIONS -GP OR -PXX)

**OPTION**  
 \*\* -GP: GUIDE POSTS (SEE FIG 3, SHEET 2)  
 \*\* -K: KAPTON PAD (SEE FIG 2, SHEET 2)  
 -PC4: POWER COMBO 4 (.062" THICK BOARD (SEE FIG 4, SHEET 3)  
 -PC8: POWER COMBO 8 (.062" THICK BOARD (SEE FIG 4, SHEET 3)  
 -PT4: POWER COMBO 4 (.093" THICK BOARD (SEE FIG 4, SHEET 3)  
 -PT8: POWER COMBO 8 (.093" THICK BOARD (SEE FIG 4, SHEET 3)  
**-PXX NOT AVAILABLE WITH -GP, -A, -K**  
**-PXX AVAILABLE ON POSITIONS -016, -032 & -048 ONLY AND ON LEAD STYLE -06.75 ONLY**

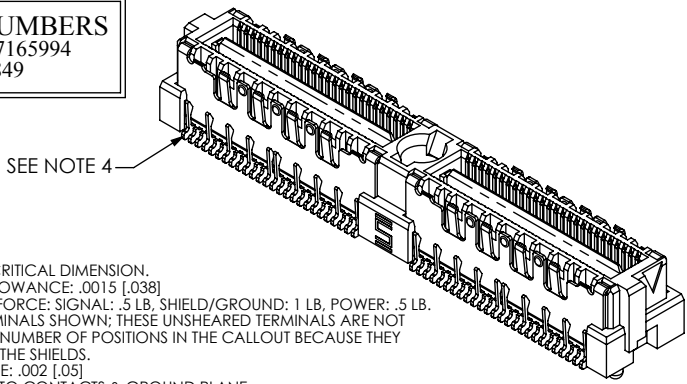
\* = NOT TOOLED  
 \*\* = NOT AVAILABLE WITH PXX OPTION



**FIG 1**  
 -06.75 LEAD STYLE  
 (QMSS-032-06.75-X-D-DP-A SHOWN)  
 (MATED HEIGHT WITH QFSS-04.25: .433 [11.00] REF)

**SECTION "A"- "A"**  
 SCALE 4.5 : 1

**PATENT NUMBERS**  
 6739884/ 7165994  
 7121849



- NOTES:**
1. Ⓢ REPRESENTS A CRITICAL DIMENSION.
  2. MAXIMUM BURR ALLOWANCE: .0015 [0.038]
  3. MINIMUM PUSHOUT FORCE: SIGNAL: .5 LB. SHIELD/GROUND: 1 LB. POWER: .5 LB.
  4. DO NOT SHEAR TERMINALS SHOWN; THESE UNSHEARED TERMINALS ARE NOT CONSIDERED IN THE NUMBER OF POSITIONS IN THE CALLOUT BECAUSE THEY ARE GROUNDED TO THE SHIELDS.
  5. MAXIMUM VARIANCE: .002 [0.05]
  6. DIMENSION APPLIES TO CONTACTS & GROUND PLANE.
  7. GROUND PLANE PRESS HEIGHT MUST BE .003[.08] LESS THAN THE MAXIMUM HEIGHT OR .001[.03] GREATER THAN THE MINIMUM HEIGHT OF THE TERMINALS.
  8. PARTS TO BE PACKAGED IN TRAYS AS STANDARD.
  9. LEADSTYLE -11 MAY BE SUBSTITUTED IN PART CALLOUT FOR -06.75 FOR EXISTING CUSTOMERS ONLY

**TABLE 1**

No OF PAIRS	No OF BANKS	COPLANARITY
-016 THRU -048	1 THRU 3	.004[.10]
-064 AND -080	4 AND 5	.006[.15]

<b>CPC THIS SHEET</b>	UNLESS OTHERWISE SPECIFIED, DIMENSIONS ARE IN INCHES. TOLERANCES ARE:	<b>PROPRIETARY NOTE</b> THIS DOCUMENT CONTAINS CONFIDENTIAL AND PROPRIETARY INFORMATION AND ALL DESIGN, MANUFACTURING, REPRODUCTION, USE, PATENT RIGHTS AND SALES RIGHTS ARE EXPRESSLY RESERVED BY SAMTEC, INC. THIS DOCUMENT SHALL NOT BE DISCLOSED, IN WHOLE OR PART, TO ANY UNAUTHORIZED PERSON OR ENTITY NOR REPRODUCED, TRANSFERRED OR INCORPORATED IN ANY OTHER PROJECT IN ANY MANNER WITHOUT THE EXPRESS WRITTEN CONSENT OF SAMTEC, INC.
	DECIMALS ANGLES .XX: ±.01 [.3] 2° .XXX: ±.005 [.13] .XXXX: ±.0020 [.051]	
C1, C2, C3, C4, C5, C6, C7	<b>MATERIAL:</b> DO NOT SCALE DRAWING INSULATOR: LCP, COLOR: BLACK TERMINAL, GROUND PLANE, & SHIELD: PHOS BRONZE	SHEET SCALE: 2.5:1
F:\D\WG\MISC\MKTG\QMSS-XXX-XX.XX-X-D-DP-X-XXX-XX-MKT.SLDRW		

**samtec**

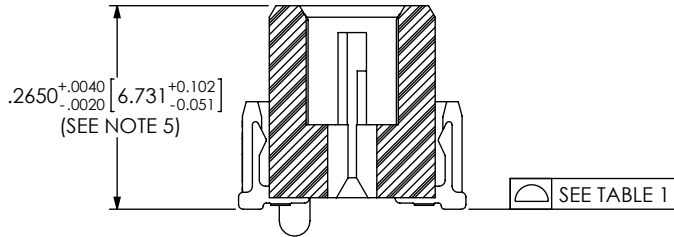
520 PARK EAST BLVD. NEW ALBANY, IN 47150  
 PHONE: 812-944-6733 FAX: 812-948-5047  
 e-Mail: info@SAMTEC.com code: 55322

DESCRIPTION:  
 .635mm DIFFERENTIAL PAIRS SHIELDED TERMINAL STRIP

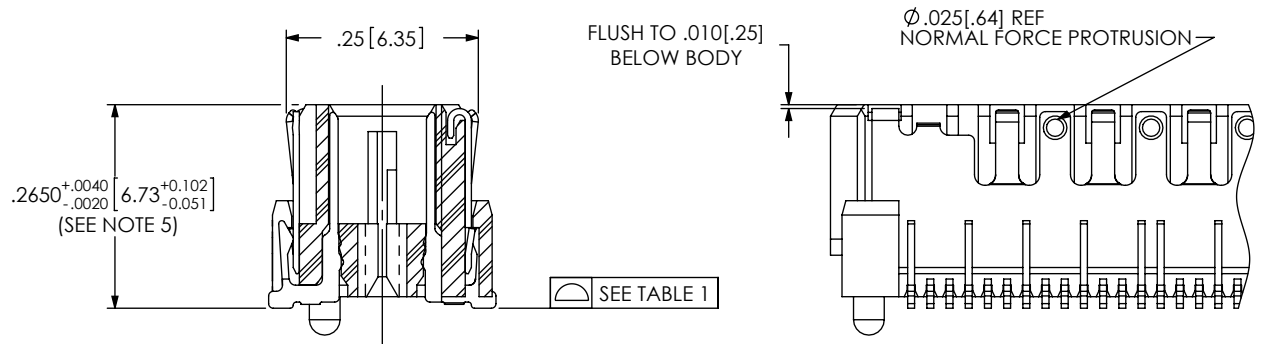
DWG. NO.  
**QMSS-XXX-XX.XX-X-D-DP-X-XXX-XX**

BY: BRATCHER 08/12/03 SHEET 1 OF 3

IN-PROCESS 1



IN-PROCESS 2



TERMINAL DETAILS

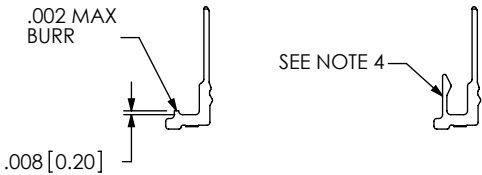


FIG 3

-GP: GUIDE POST OPTION  
(QMSS-032-06.75-X-D-DP-A-GP SHOWN)

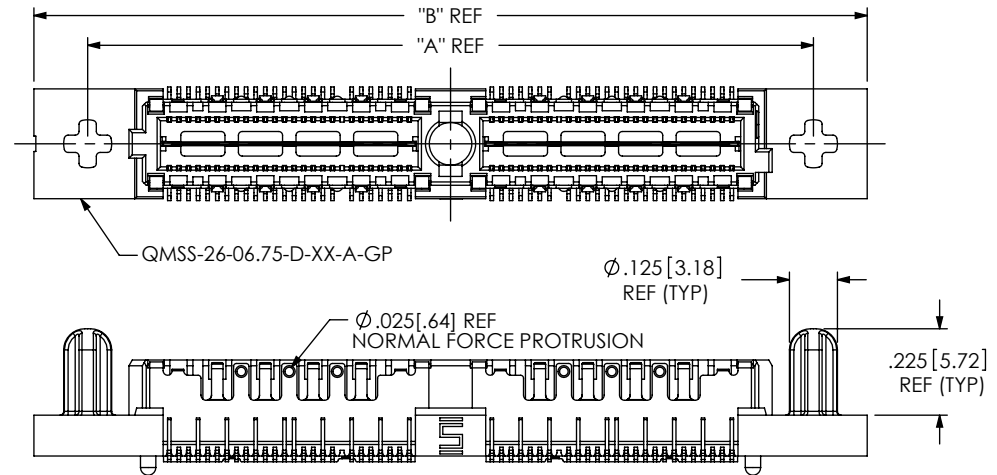


FIG 2

-K: KAPTON PAD OPTION  
(USE K-DOT .217-.313-.005 FOR -GP OPTION, NOT APPROVED FOR VISION INTEGRATED KAPTON APPLICATION)  
(QMSS-032-06.75-X-D-DP-A-K SHOWN)

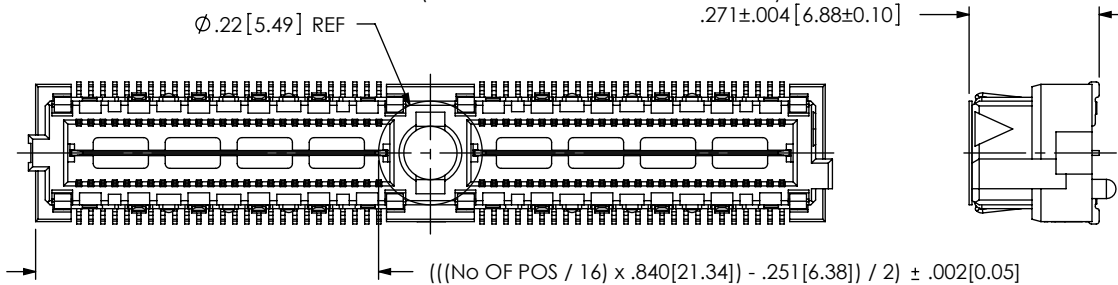


TABLE 2		
ASSEMBLY	"A"	"B"
QMSS-016-06.75-X-D-GP	1.050 [26.67]	1.330 [33.78]
QMSS-032-06.75-X-D-GP	1.890 [48.00]	2.170 [55.12]
QMSS-048-06.75-X-D-GP	2.730 [69.34]	3.010 [76.45]
QMSS-064-06.75-X-D-GP	3.570 [90.68]	3.850 [97.79]
QMSS-080-06.75-X-D-GP	4.410 [112.01]	4.690 [119.13]

CPC  
THIS SHEET

**PROPRIETARY NOTE**  
THIS DOCUMENT CONTAINS CONFIDENTIAL AND PROPRIETARY INFORMATION AND ALL DESIGN, MANUFACTURING, REPRODUCTION, USE, PATENT RIGHTS AND SALES RIGHTS ARE EXPRESSLY RESERVED BY SAMTEC, INC. THIS DOCUMENT SHALL NOT BE DISCLOSED, IN WHOLE OR PART, TO ANY UNAUTHORIZED PERSON OR ENTITY NOR REPRODUCED, TRANSFERRED OR INCORPORATED IN ANY OTHER PROJECT IN ANY MANNER WITHOUT THE EXPRESS WRITTEN CONSENT OF SAMTEC, INC.

DO NOT SCALE DRAWING

SHEET SCALE: 2.5:1

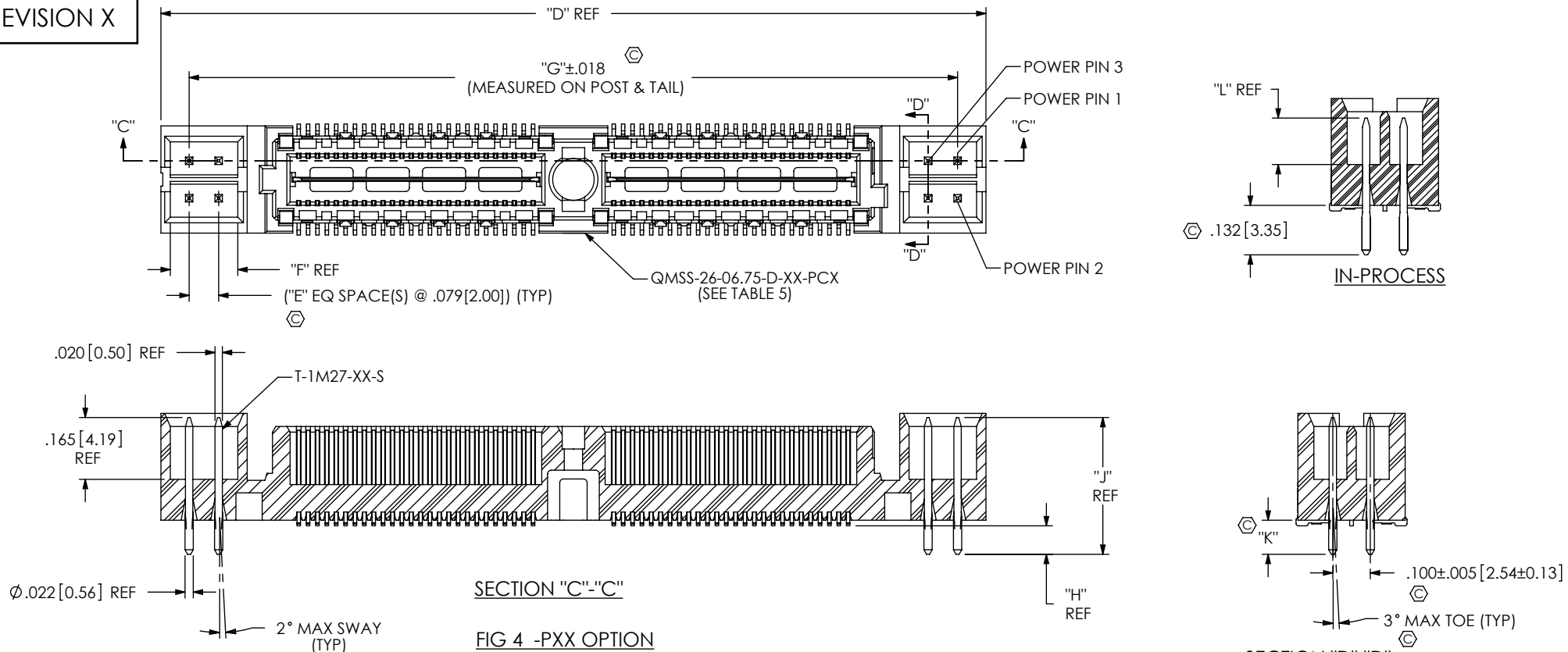


520 PARK EAST BLVD, NEW ALBANY, IN 47150  
PHONE: 812-944-6733 FAX: 812-948-5047  
e-Mail: info@SAMTEC.com code: 53322

DESCRIPTION:  
.635mm DIFFERENTIAL PAIRS SHIELDED TERMINAL STRIP

DWG. NO.  
QMSS-XXX-XX.XX-X-D-DP-X-XXX-XX

BY: BRATCHER 08/12/03 SHEET 2 OF 3



SECTION "C"- "C"

FIG 4 -PXX OPTION

POWER COMBO OPTIONS (-PXX)  
 QMSS-032-06.75-X-D-DP-PC4 SHOWN  
 (SAME AS FIG 1, UNLESS OTHERWISE STATED)  
 [NOT AVAILABLE WITH -GP, -A, OR -K OPTION]  
 [AVAILABLE ON -016, -032 & -048 POSITIONS ONLY]

TABLE 5

ASSEMBLY	BODY	"D"	"E"	"F"	"G"
QMSS-016-06.75-X-DP-X-PX4	QMSS-26-06.75-D-01-PC4	1.360[34.54]	1	.180[4.57]	1.209[30.71]
QMSS-016-06.75-X-DP-X-PX8	QMSS-26-06.75-D-01-PC8	1.675[42.55]	3	.337[8.56]	1.524[38.71]
QMSS-032-06.75-X-DP-X-PX4	QMSS-26-06.75-D-02-PC4	2.200[55.88]	1	.180[4.57]	2.049[52.04]
QMSS-032-06.75-X-DP-X-PX8	QMSS-26-06.75-D-02-PC8	2.515[63.88]	3	.337[8.56]	2.364[60.05]
QMSS-048-06.75-X-DP-X-PX4	QMSS-26-06.75-D-03-PC4	3.040[77.22]	1	.180[4.57]	2.889[73.38]
QMSS-048-06.75-X-DP-X-PX8	QMSS-26-06.75-D-03-PC8	3.355[85.22]	3	.337[8.56]	3.204[81.38]

TABLE 6

POWER OPTION	TERMINAL	"H"	"J"	"K"	"L"
PC4 / PC8	T-1M27-01-S	.071[1.80]	.365[9.27]	.086[2.18]	.124[3.15]
PT4 / PT8	T-1M27-03-S	.110[2.79]	.400[10.16]	.125[3.18]	.159[4.04]

CPC  
THIS SHEET

C8, C9,  
C10, C12,  
C13, C14

**PROPRIETARY NOTE**  
 THIS DOCUMENT CONTAINS CONFIDENTIAL AND PROPRIETARY INFORMATION AND ALL DESIGN, MANUFACTURING, REPRODUCTION, USE, PATENT RIGHTS AND SALES RIGHTS ARE EXPRESSLY RESERVED BY SAMTEC, INC. THIS DOCUMENT SHALL NOT BE DISCLOSED, IN WHOLE OR PART, TO ANY UNAUTHORIZED PERSON OR ENTITY NOR REPRODUCED, TRANSFERRED OR INCORPORATED IN ANY OTHER PROJECT IN ANY MANNER WITHOUT THE EXPRESS WRITTEN CONSENT OF SAMTEC, INC.

DO NOT SCALE DRAWING

SHEET SCALE: 2.5:1



520 PARK EAST BLVD, NEW ALBANY, IN 47150  
 PHONE: 812-944-6733 FAX: 812-948-5047  
 e-Mail: info@SAMTEC.com code: 55322

DESCRIPTION:  
 .635mm DIFFERENTIAL PAIRS SHIELDED TERMINAL STRIP  
 DWG. NO.  
 QMSS-XXX-XX.XX-X-D-DP-X-XXX-XX  
 BY: BRATCHER 08/12/03 SHEET 3 OF 3