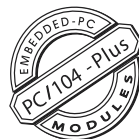


PCM-3620 PC/104-Plus USB and IEEE 1394 Module



Startup Manual

Introduction

The PCM-3620 is a USB2.0 and IEEE1394 interface-module that attaches to the PC/104-plus connector on your CPU card or PC/104-plus CPU module

The PCM-3620 provides 480Mbps USB2.0 and 400Mbps IEEE 1394 high speed I/O capability, and is fully compliant with USB2.0 and IEEE1394 specifications. The module includes 4 USB 2.0 port and 3 IEEE 1394 a port. The PCM 3620, with its NEC uPD720101 and TI TSB43AB23 chipset, brings the latest USB, IEEE1394 performance features to Advantech's PC/104 line

Packing list

Before you begin installing your card, please make sure that the following materials have been shipped:

- 1 4 ports USB Cable (PCM-3620P-00A1 only)
- 1 3 ports IEEE1394 cable (PCM-3620P-00A1 only)

Features

PCM-3620 PC/104-Plus USB and IEEE1394 Module

- 4 USB 2.0 Compliant Port, up to 480 Mbps transactions
- USB EHCI 1.0 and PHCI 1.0a compatible
- 3 IEEE1394a Compliant Port, up to 400 Mbps
- IEEE 1394a OHCI 1.1 Compliant

Specifications

- Chipset: NEC uPD720101 and TI TSB43AB23

USB

- 4 USB 2.0 Compliant Ports
- Compliant with OHCI USB Rev 1.0a
- Compliant with EHCI for USB Rev 1.0
- High-speed (480Mbps),full-speed (12Mbps)and low-speed (1.5Mbps) transactions

IEEE 1394a

- 3 port compliant with 1394 Open Host
- Controller Interface Specification (Release 1.1)
- Power Requirement +5 V , +12 V
- Temperature 0 ~ 60° C (32~140° F),
- operation, -20~80° C , operation (optional)
- Operating Humidity 0% ~ 90% relative humidity, noncondensing
- Size/Weight 96 x 90 mm/0.81 kg(0.18b)

For more information on this and other Advantech products, please visit our website at:

<http://www.advantech.com>

<http://www.advantech.com/epc>

For technical support and service, please visit our support website at:

<http://service.advantech.com/support>

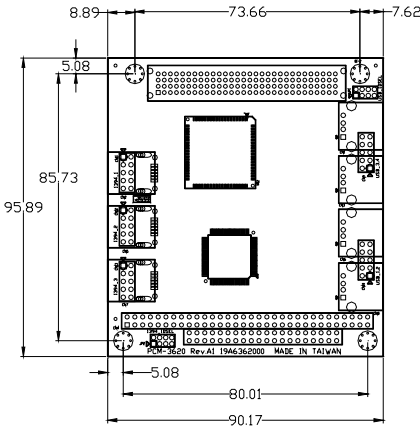
This manual is for the PCM-3620

Part No. 2006362000

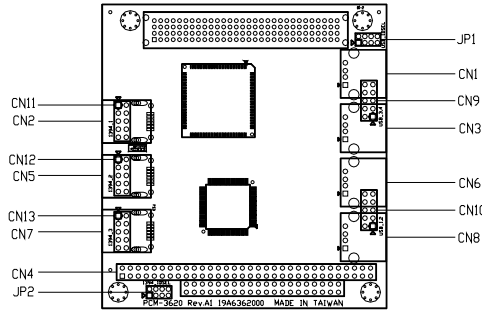
1st Edition
August 2004

Mechanical Drawings

Board Dimensions



Locating Connectors and Jumpers



Jumpers & Connectors

The board has a number of jumpers and connectors that allow you to configure your system to suit your application.

The tables below list the function of each jumper and connector.

Jumpers

Label	Function
JP1	USB PCI ID Select
JP2	1394 PCI ID Select

J1	USB PCI ID Select
Close pins	Result
1-2	ID-SELECT0
3-4	ID-SELECT1
5-6	ID-SELECT2
7-8	ID-SELECT3

J2	1394 PCI ID Select
Close pins	Result
1-2	ID-SELECT0
3-4	ID-SELECT1
5-6	ID-SELECT2
7-8	ID-SELECT3

Connectors

Label	Function
CN1	1394-connector1
CN2	1394-connector1
CN3	1394-connector2
CN5	1394-connector2
CN6	1394-connector3
CN7	1394-connector3
CN8	1394-connector4
CN9	USB port 3,4connector(Pin Header)
CN10	USB port 1,2connector(Pin Header)
CN11	1394-connector1(Pin Header)
CN12	1394-connector2(Pin Header)
CN13	1394-connector3(Pin Header)