

## SUMMARY

### # Wires

Low voltage 4



Image is for illustrative purpose only

Series	2W
Termination type	Male solder
IP rating	68
AWG wire size	28.00 - 20.00
Cable Ø	5.60 - 6.00 mm
Status	active
Matching parts	<a href="#">EVG.2W.304.CLL</a>

### Download

[Request a quote](#)

[Catalog](#)

## TECHNICAL DETAILS

### Mechanics

Shell Style/Model	FV_/Z*: Straight plug, cable collet and nut for fitting a bend relief
Keying	1 key (alpha=0; Plug: male contacts; Receptacle: female contacts)
Housing Material	Brass (chrome plated [SAE AMS 2460]) shell and collet nut, nickel plated [SAE AMS QQ N 290] brass latch sleeve and mid pieces
Variant	Z : Nut for fitting a bend relief
Weight	52.43 g

### Performance

Configuration	2W.304 : 4 Low Voltage
Insulator	
Rated Current	15 Amps

### Specifications

Contact Type: Solder  
Contact Dia.: 1.3 mm (0.051in)  
Bucket Dia.: 1 mm (0.039in)  
Max. Solid Conductor: 0.5 mm<sup>2</sup> (AWG 20)  
Max. Stranded Conductor: 0.5 mm<sup>2</sup> (AWG 20)  
R (max): 3.6 mOhm

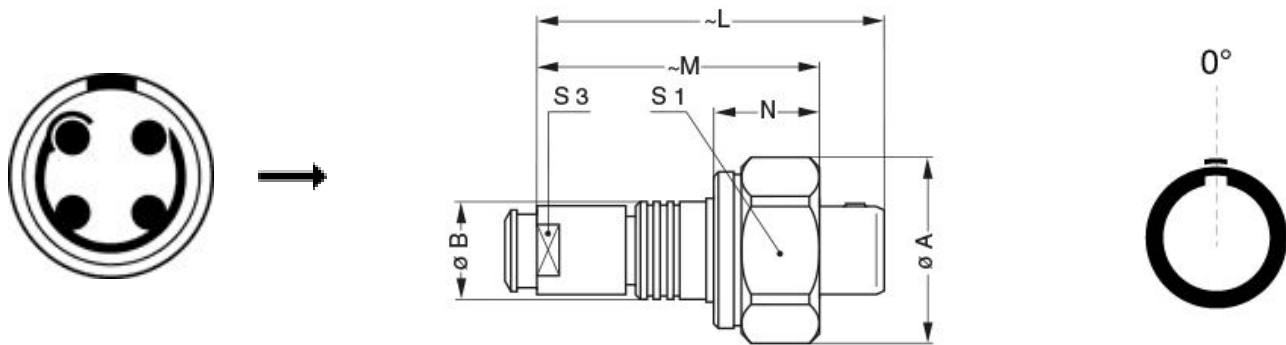
LEMO products and services are provided "as is". LEMO makes no warranties or representations with regard to LEMO product & services or use of them, express, implied or statutory, including for accuracy, completeness, or security. The user is fully responsible for his products and applications using LEMO components.

Vtest (contact-contact): 1850 V (AC) 2600 V (DC)  
Vtest (contact-shell): 1850 V (AC) 2600 V (DC)

## Others

Endurance (Shell): 1000 mating cycles  
Temp (min / max): -20°C / +200°C  
Humidity (max): ≤95% [at 60 deg C / 140 F]  
Climatical Category: 20/200/21  
Shielding (min): 95 dB (10 MHz)  
Shielding (min): 80 dB (1 GHz)  
Salt Spray Corrosion: >1000 hr  
Pressure: 30 bars

## DRAWINGS



## Dimensions

	A	B	L	M	N	S1	S3
mm.	23.5	14	52.5	43	15.5	22	12
in.	0,93	0,55	2,07	1,69	0,61	0,87	0,47

## RECOMMENDED BY LEMO

### Tools

LEMO products and services are provided "as is". LEMO makes no warranties or representations with regard to LEMO product & services or use of them, express, implied or statutory, including for accuracy, completeness, or security. The user is fully responsible for his products and applications using LEMO components.

## Cables

*LEMO products and services are provided "as is". LEMO makes no warranties or representations with regard to LEMO product & services or use of them, express, implied or statutory, including for accuracy, completeness, or security. The user is fully responsible for his products and applications using LEMO components.*