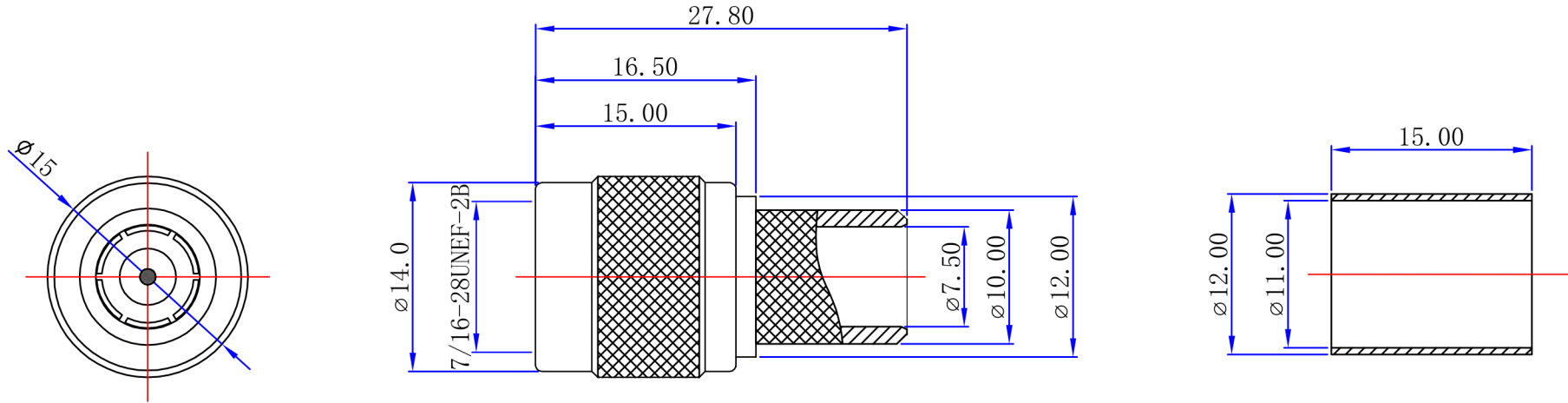




Product NO. BC-101-400

REV	DESCRIPTION	DWN	DATE	APPROVEN
R1.0	First issue	Gavin	2021/03/09	JIM. KING



Specifications:

IMPEDANCE: 50 Ohms
 Frequency range: 0~6GHZ
 VSWR: 1.5MAX
 Working voltage: 500V rms @ sea level
 Insulation resistance: 5000 MOhms min
 Temperature range: -40°C TO +155°C

No	Connector color
BC-101-400-RD	Body electrophoresis: Red
BC-101-400-BL	Body electrophoresis: Blue
BC-101-400-BK	Body electrophoresis: Black

-TOLERANCES- UNLESS OTHERWISE SPECIFIED	BIG CAT CABLES				
	PART DESCRIPTION: MALE TNC PLUG FOR LMR400 CABLE				
UNLESS OTHERWISE SPECIFIED TOLERANCES FOR MILLIMETERS ARE: 0.5 - 8mm ± 0.20mm 8 - 30mm ± 0.25mm 30 - 120mm ± 0.30mm	Appd: JIM. KING		P/N: BC-101-400		
	Check:	Date	Scale	Unit	Type
	Draw: Gavin	2021.03.09	Free	MM	Z
				Page	1/1

4	Copper pipe	BRASS	NICKEL	1
3	CONTACT PIN	BRASS	GOLD	1
2	INSULATOR	PTFE	NINE	1
1	BOOY	BRASS	Electrophoresis	1
NO	DESCRIPTION	MATERIAL	FINISH	QTY