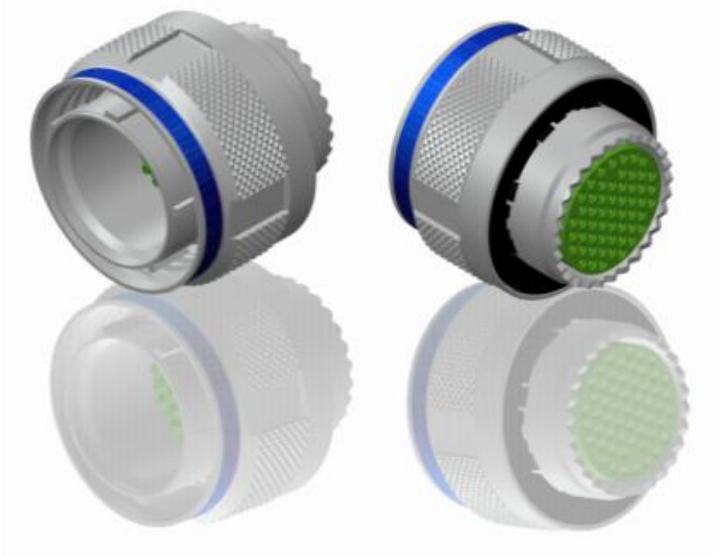
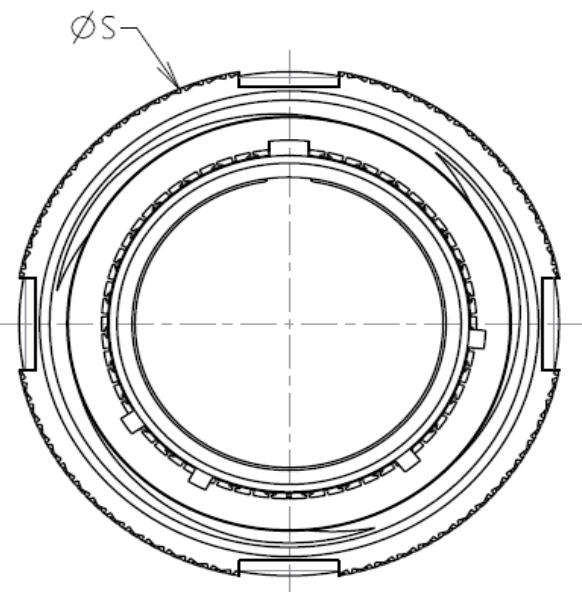
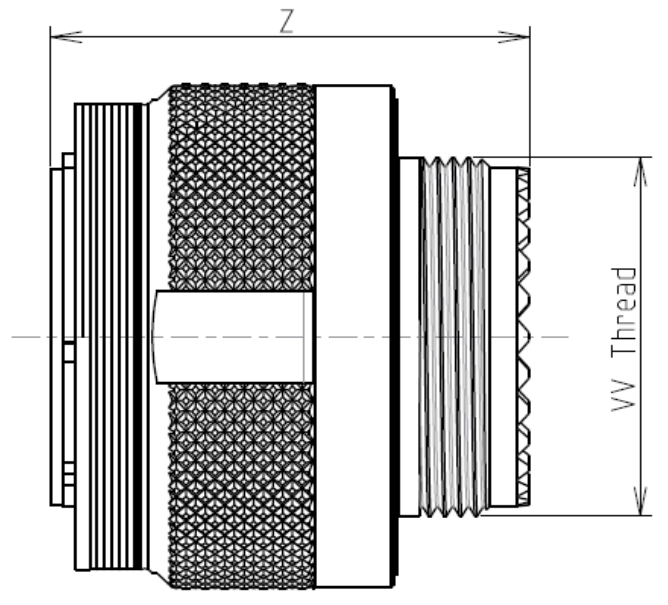


H G F E D C B A



LAYOUT SHOWN AS EXAMPLE

Keying Shown as example

CHARACTERISTICS

- Standard : Based on MIL-DTL-38999 Series III
- Shell Material : Stainless Steel
- Shell Plating : Nickel
- Insulator : Thermoplastic
- Contacts : Copper Alloy
- Seals & Grommet : Silicon Elastomer
- Contact Plating : Gold over copper Alloy 0.8µm minimum
- Durability : 500 Mating cycles
- Delivered without Souriau contacts
- Temperature Range : -65°C to +200°C
- Salt Spray : 500 hours
- Mass : 108.51 g ± 10%

| Connector dimension | |
|---------------------|----------|
| Dim | Nominal |
| ØS | 48 Max |
| Z | 31 Max |
| VV THREAD | M37x1-6g |

SOURIAU shall not be liable for any non-conformity or damage due to a use of the Products which does not comply with the Specifications issued by either of the Parties or by a third party (professional recommendation, technical notice.)

| Country | Jurisdiction & Control List |
|---------|-----------------------------|
| FR | Not Listed |

PN: 8D525S37PDL

| | | | |
|--------------|---|--------------------------------|---|
| A | 08-10-2016 | First Release | |
| ISS | DATE | Latest modification - by | MOD N° |
| Designed By: | | Date: | CUSTOMER DRAWING |
| TITLE | Stainless Steel Plug 8D series | | |
| SCALE | | General linear Tolerances: ±-- | NPRDS / PROJECT 859 |
| NA | SOURIAU WWW.SOURIAU.COM | | This document is the property of SOURIAU it must not be reproduced or communicated without permission |
| FORMAT | A3 | | SOURIAU DRG N° 8D525S37PDL-C SHEET 1/2 |

| | | | | | | | | | | |
|----------------|-------------------------|---|---|----|---------------------------------|----|---|---|---|------------------------|
| BASIC SERIES: | 8D | 5 | - | 25 | S | 37 | P | D | L | Delivered W/O Contacts |
| SHELL TYPE : | Plug with RFI Shielding | | | | ORIENTATION : D | | | | | |
| CONTACT TYPE : | Standard Crimp Contact | | | | CONTACT TYPE : PIN(500 Matings) | | | | | |
| SHELL SIZE : | 25 | | | | CONTACT LAYOUT : 25-37 | | | | | |
| PLATING : | S = Nickel | | | | | | | | | |

H G F E D C B A

Contact Layout



| Contacts (Insert arrangement 25-37) | | | | | |
|--|--------------|--------------|---------------------|-------------|-------------|
| Contact position ID | Location | | Contact position ID | Location | |
| | X-axis (mm) | Y-axis (mm) | | X-axis (mm) | Y-axis (mm) |
| A | +000 (.00) | +472 (11.99) | W | +242 (6.15) | +236 (5.99) |
| B | +185 (4.70) | +472 (11.99) | X | +326 (8.28) | +086 (2.18) |
| C | +333 (8.46) | +382 (9.70) | Y | +326 (8.28) | -086 (2.18) |
| D | +441 (11.20) | +249 (6.32) | Z | +242 (6.15) | -236 (5.99) |
| E | +500 (12.70) | +086 (2.18) | a | +086 (2.18) | -320 (8.13) |
| F | +500 (12.70) | -086 (2.18) | b | -086 (2.18) | -320 (8.13) |
| G | +441 (11.20) | -249 (6.32) | c | -242 (6.15) | -236 (5.99) |
| H | +333 (8.46) | +382 (9.70) | d | -326 (8.28) | -086 (2.18) |
| J | +186 (4.72) | -472 (11.99) | e | -326 (8.28) | +086 (2.18) |
| K | +000 (.00) | -472 (11.99) | f | -242 (6.15) | +236 (5.99) |
| L | -186 (4.72) | -472 (11.99) | g | -086 (2.18) | +320 (8.13) |
| M | -333 (8.46) | -382 (9.70) | h | +000 (.00) | +172 (4.37) |
| N | -441 (11.20) | -249 (6.32) | k | +154 (3.91) | +086 (2.18) |
| P | -500 (12.70) | -086 (2.18) | m | +154 (3.91) | -086 (2.18) |
| R | -500 (12.70) | +086 (2.18) | n | +000 (.00) | -172 (4.37) |
| S | -441 (11.20) | +249 (6.32) | p | -154 (3.91) | -086 (2.18) |
| T | -333 (8.46) | +382 (9.70) | q | -154 (3.91) | +086 (2.18) |
| U | -186 (4.72) | +472 (11.99) | r | +000 (.00) | +000 (.00) |
| V | +086 (2.18) | +320 (8.13) | --- | --- | --- |

| Shell size | Arrangement no. | Number of contacts | Size contacts | Service rating | Contact location | Supersedes |
|------------|-----------------|--------------------|---------------|----------------|------------------|------------|
| 25 | -37 | 37 | 16 | II | All | --- |

SOURIAU shall not be liable for any non-conformity or damage due to a use of the Products which does not comply with the Specifications issued by either of the Parties or by a third party (professional recommendation, technical notice.)

| Country | Jurisdiction & Control List |
|---------|-----------------------------|
| FR | Not Listed |

PN: 8D525S37PDL

| | | | |
|----------------|----------------------|---|-------------------------|
| A | 08-10-2016 | First Release | |
| ISS | DATE | Latest modification - by | MOD N° |
| Designed By: | | Date: | CUSTOMER DRAWING |
| TITLE | | Stainless Steel Plug 8D series | |
| SCALE | | General linear Tolerances: | NPRDS / PROJECT |
| NA | | ±-- | 859 |
| SOURIAU | | WWW.SOURIAU.COM | |
| | | This document is the property of SOURIAU it must not be reproduced or communicated without permission | |
| FORMAT | SOURIAU DRG N° | | SHEET |
| A3 | 8D525S37PDL-C | | 2/2 |