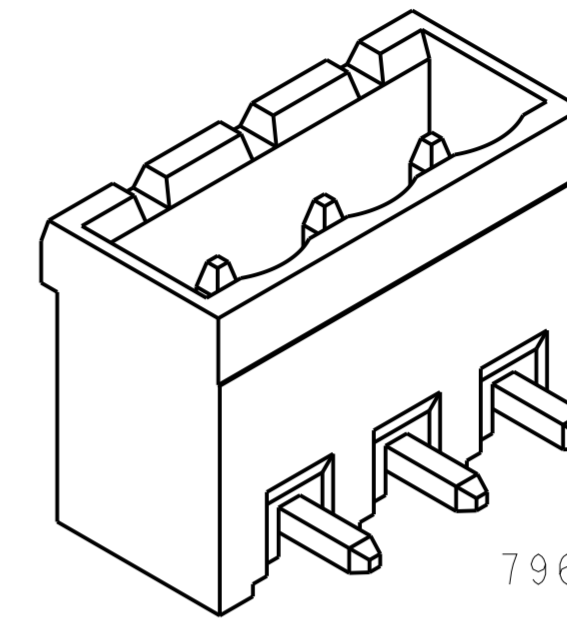
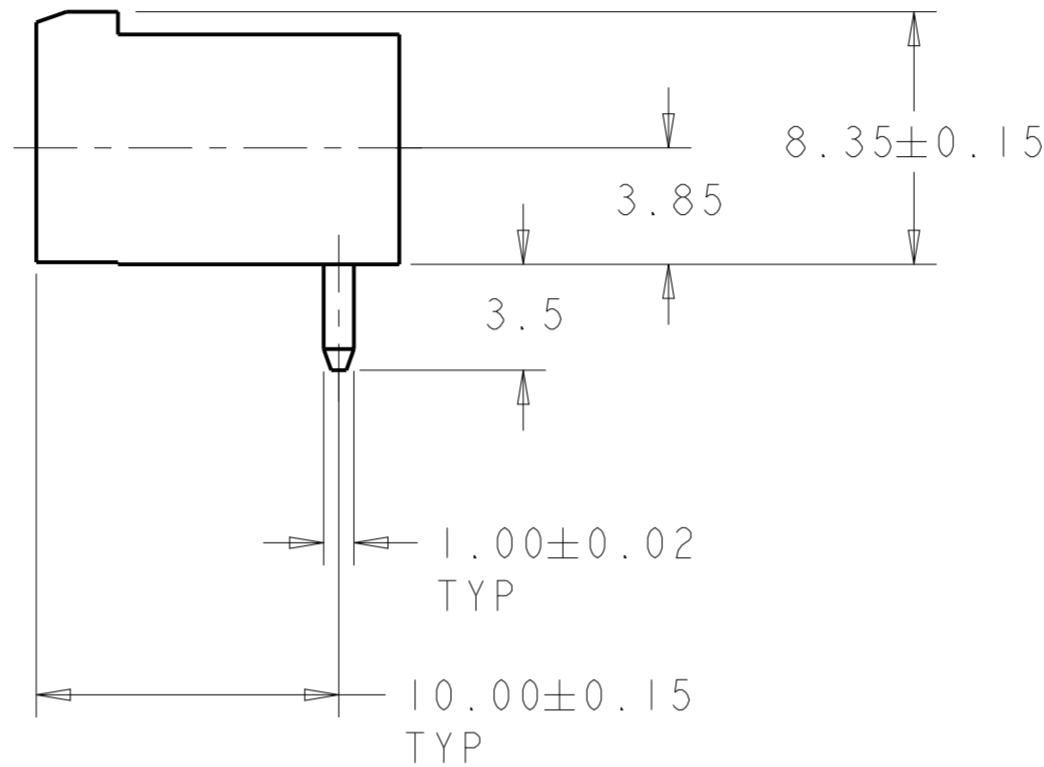
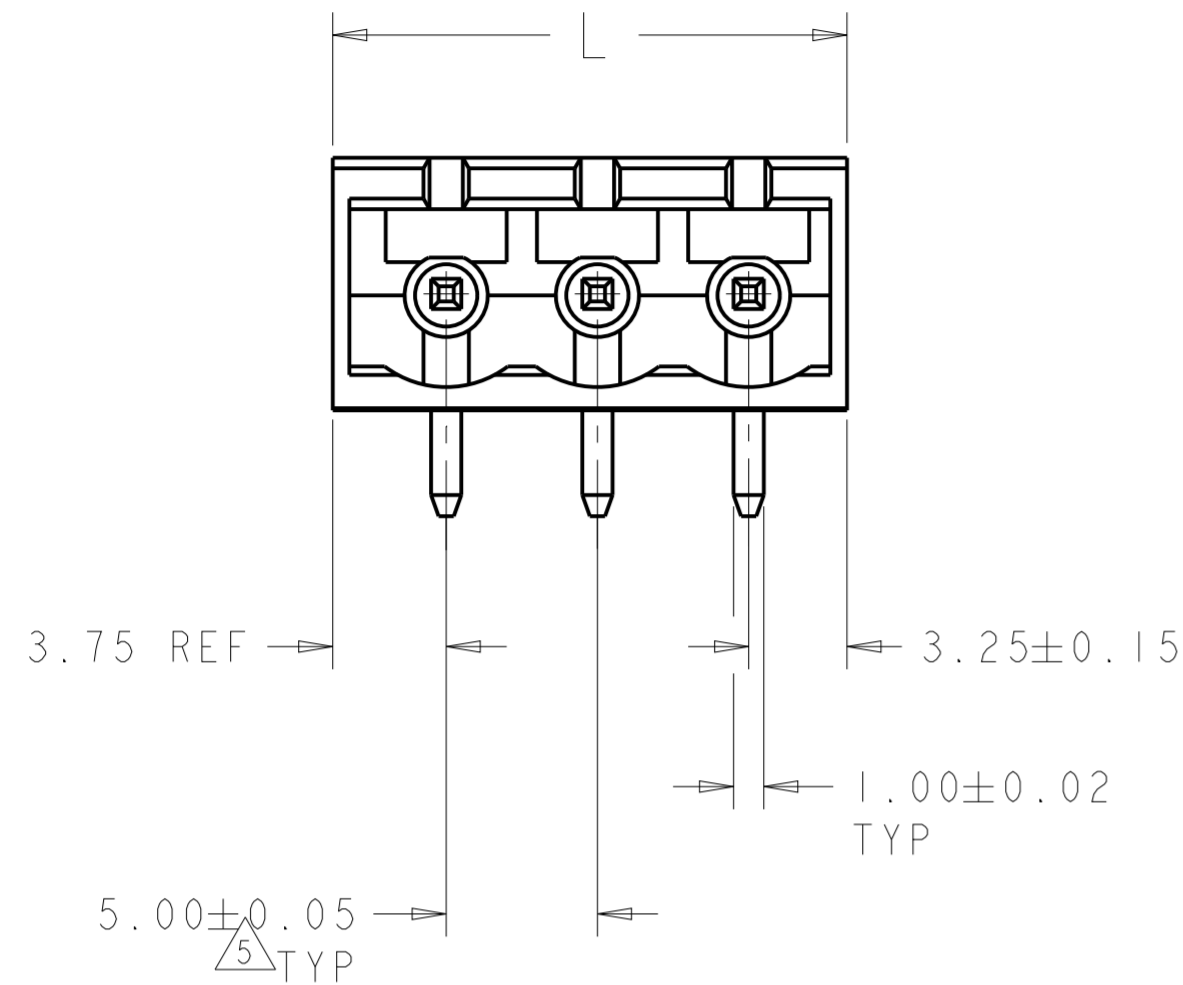
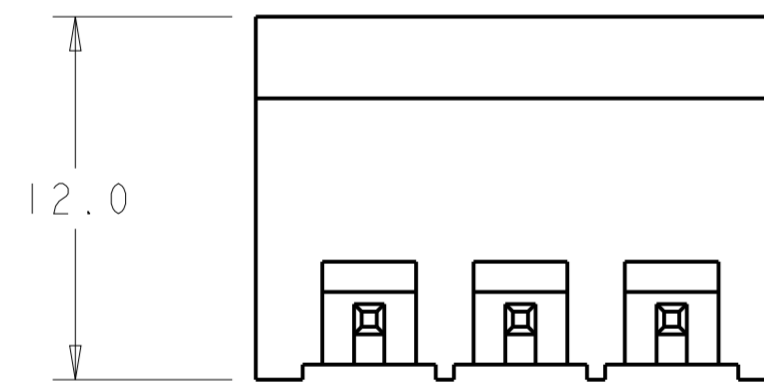


REVISIONS					
P	LTR	DESCRIPTION	DATE	DWN	APVD
A3		REVISED PER ECO-12-007711	25APR2012	KH	MS
A4		PART OBSOLETE	01SEP2020	DV	PS



796645-3 AS SHOWN

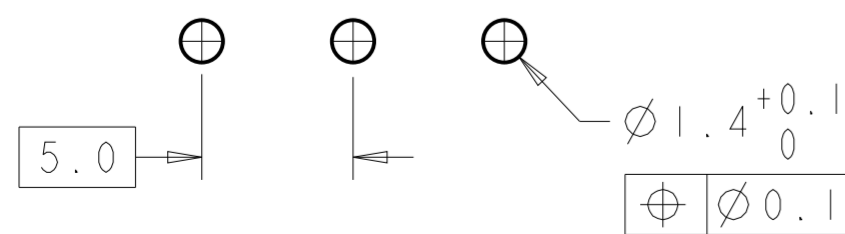


- ⚠ MATERIALS AND FINISH:  
 HOUSING: PA 6-6, UL 94-V0, COLOR: BLACK.  
 TERMINAL: COPPER ALLOY, FINISH: SEE TABLE.
- SUITABLE FOR 1,6-2, 4mm PC BOARD THICKNESS.
  - RECOGNIZED UNDER THE COMPONENT PROGRAM OF UNDERWRITERS LABORATORIES INC. FILE N° E60677.
  - IMQ CERTIFICATE WITH SURVEILLANCE IN CONFORMITY WITH IEC 998-1/998-2-1.)

⚠ NOT CUMULATIVE TOLERANCE

CONTACT PLATING	DIM L	NO OF POSN	PART NUMBER
0.76 μm GOLD	47.0	9	<del>3-796645-2</del>
0.76 μm GOLD	37.0	7	<del>3-796645-1</del>
0.76 μm GOLD	32.0	6	<del>3-796645-0</del>
0.76 μm GOLD	27.0	5	<del>2-796645-9</del>
0.76 μm GOLD	22.0	4	<del>2-796645-8</del>
0.76 μm GOLD	17.0	3	<del>2-796645-7</del>
0.76 μm GOLD	42.0	8	<del>2-796645-6</del>
TIN	127.0	25	<del>2-796645-5</del>
TIN	122.0	24	<del>2-796645-4</del>
TIN	117.0	23	<del>2-796645-3</del>
TIN	112.0	22	<del>2-796645-2</del>
TIN	107.0	21	<del>2-796645-1</del>
TIN	102.0	20	<del>2-796645-0</del>
TIN	97.5	19	<del>1-796645-9</del>
TIN	92.0	18	<del>1-796645-8</del>
TIN	87.0	17	<del>1-796645-7</del>
TIN	82.0	16	<del>1-796645-6</del>
TIN	77.0	15	<del>1-796645-5</del>
TIN	72.0	14	<del>1-796645-4</del>
TIN	67.0	13	<del>1-796645-3</del>
TIN	62.0	12	<del>1-796645-2</del>
TIN	57.0	11	<del>1-796645-1</del>
TIN	52.0	10	<del>1-796645-0</del>
TIN	47.0	9	796645-9
TIN	42.0	8	796645-8
TIN	37.0	7	796645-7
TIN	32.0	6	796645-6
TIN	27.0	5	796645-5
TIN	22.0	4	796645-4
TIN	17.0	3	796645-3
TIN	12.0	2	796645-2

OBSOLETE



RECOMMENDED PC BOARD LAYOUT

THIS DRAWING IS A CONTROLLED DOCUMENT.		DWN S. WELDON 19OCT2000	TE Connectivity	
DIMENSIONS: mm		CHK D. BIEVENOUR 19OCT2000		
TOLERANCES UNLESS OTHERWISE SPECIFIED:		APVD D. BIEVENOUR 19OCT2000	NAME: TERMI-BLOK HEADER ASSEMBLY, 90 DEGREE, CLOSED ENDS, 5.00mm PITCH	
0 PLC ±		PRODUCT SPEC	SIZE: A2	
1 PLC ±0.2		APPLICATION SPEC	CAGE CODE: 00779	
2 PLC ±		WEIGHT	DRAWING NO: C-796645	
3 PLC ±		CUSTOMER DRAWING		
4 PLC ±		SCALE: 4:1		
ANGLES ±		SHEET 1 OF 1		
FINISH		REV A4		