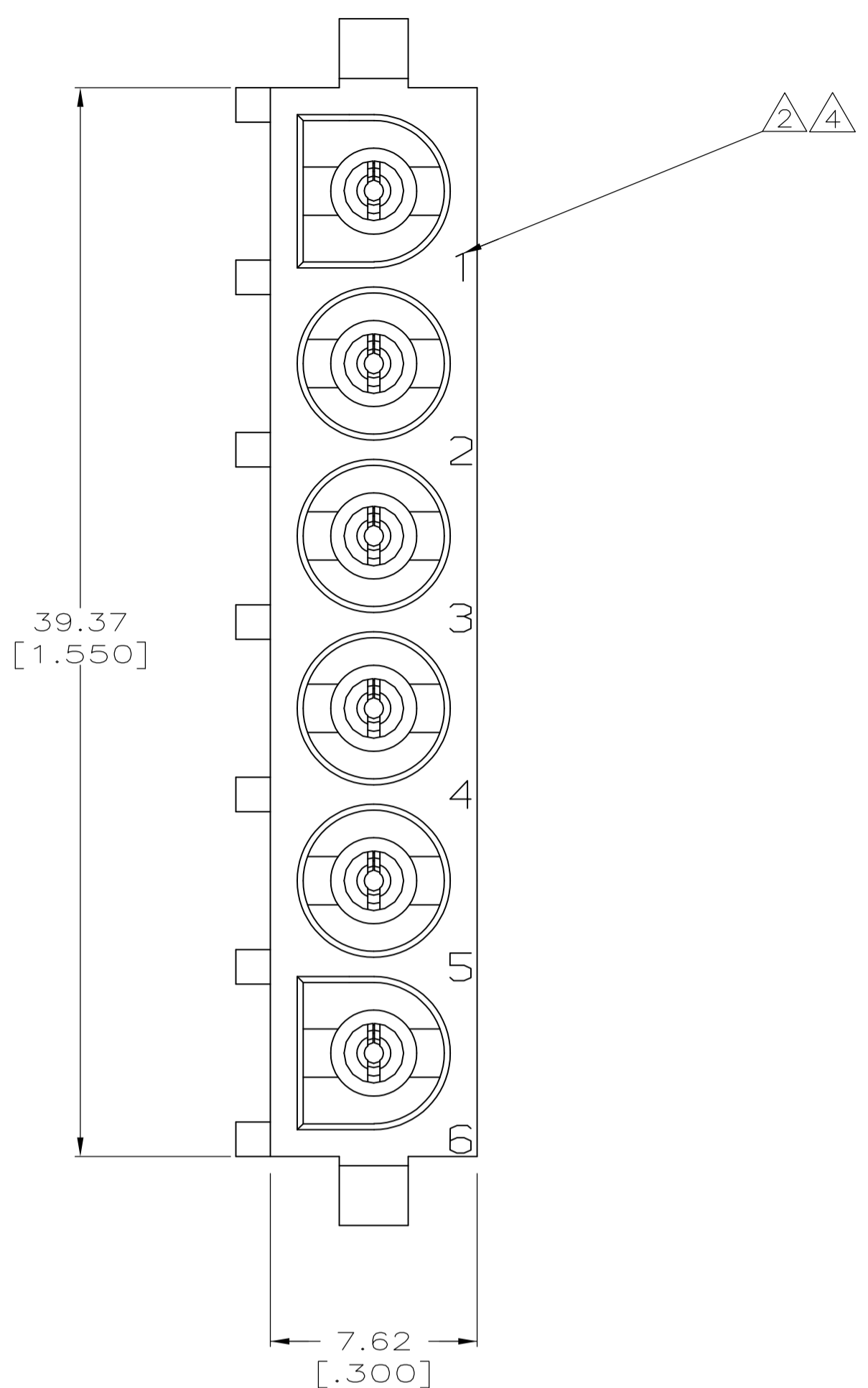
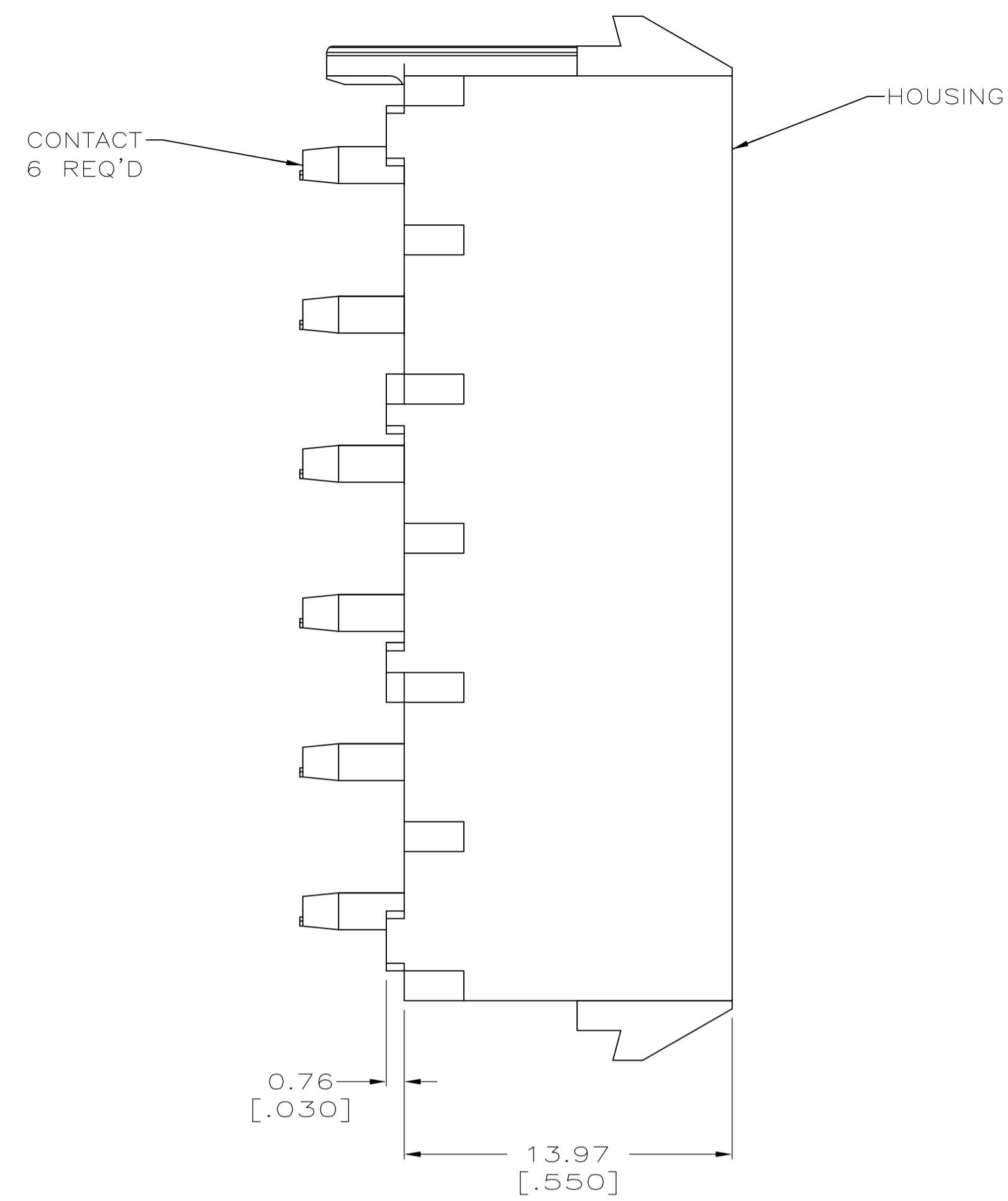
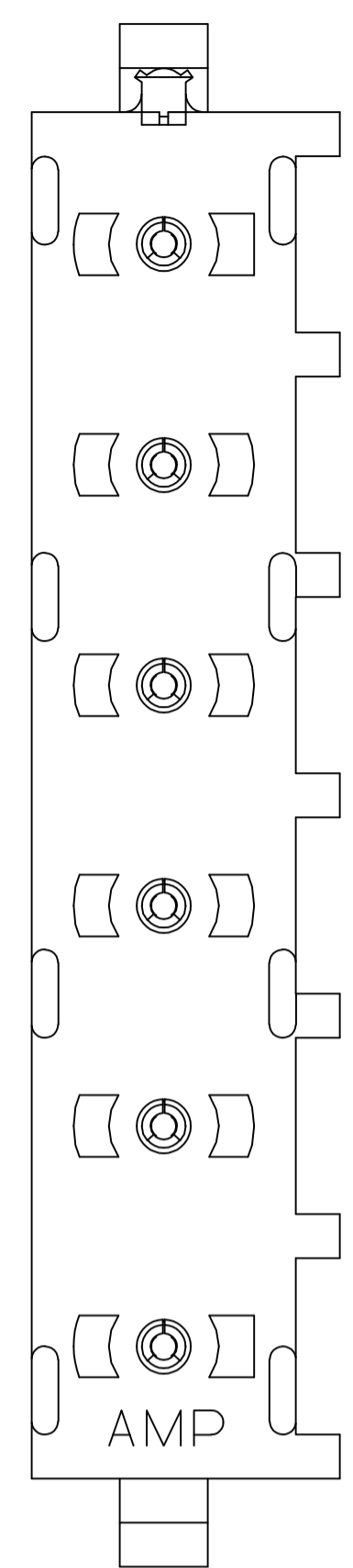
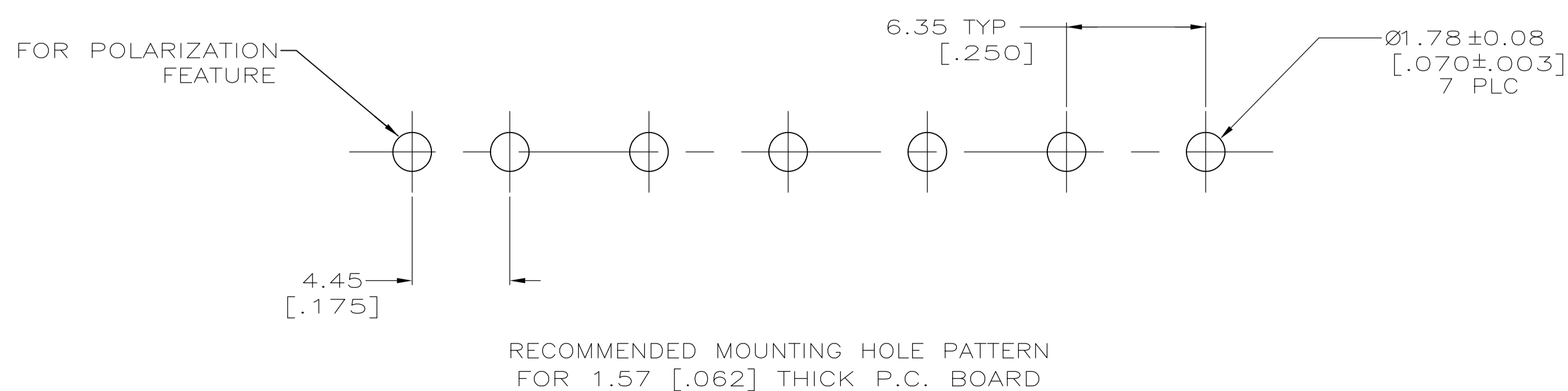
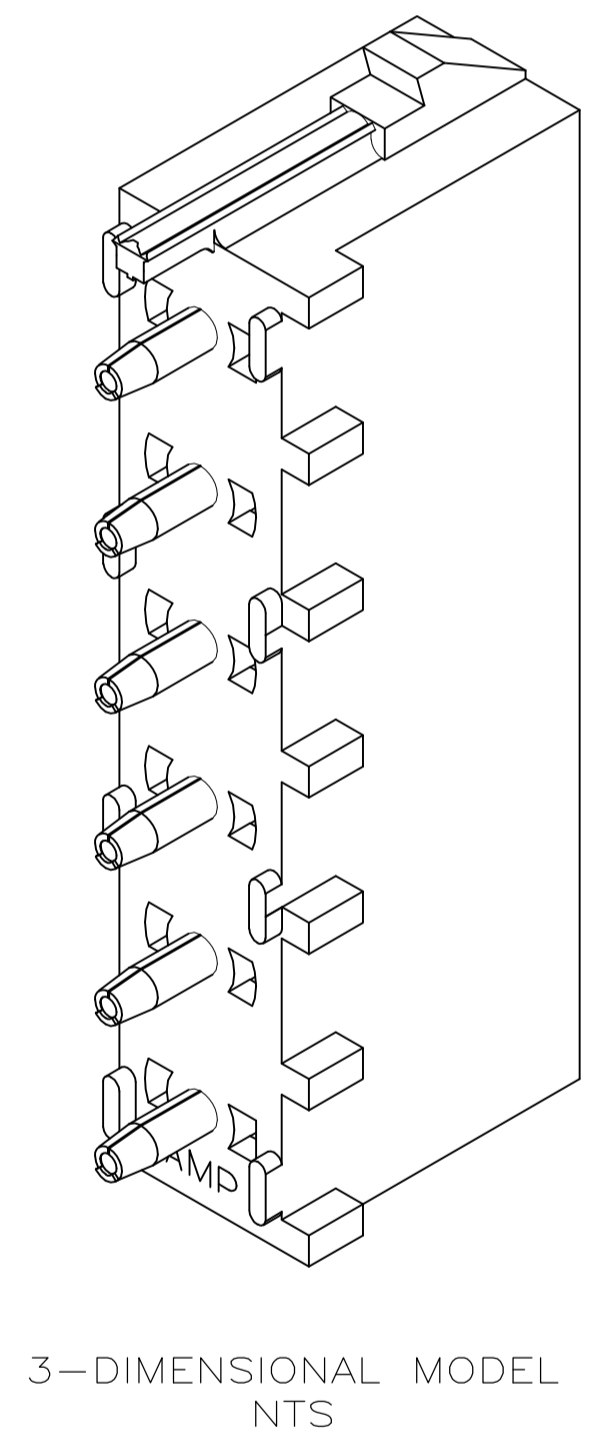
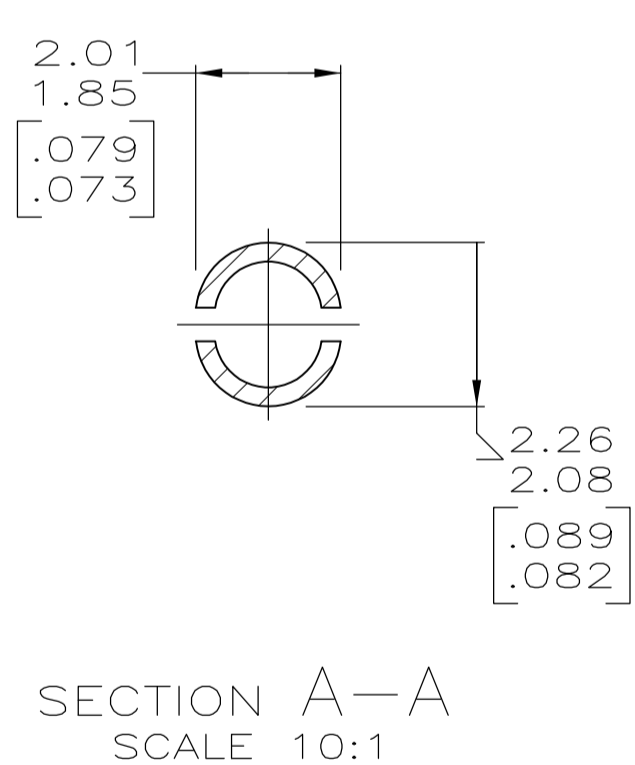
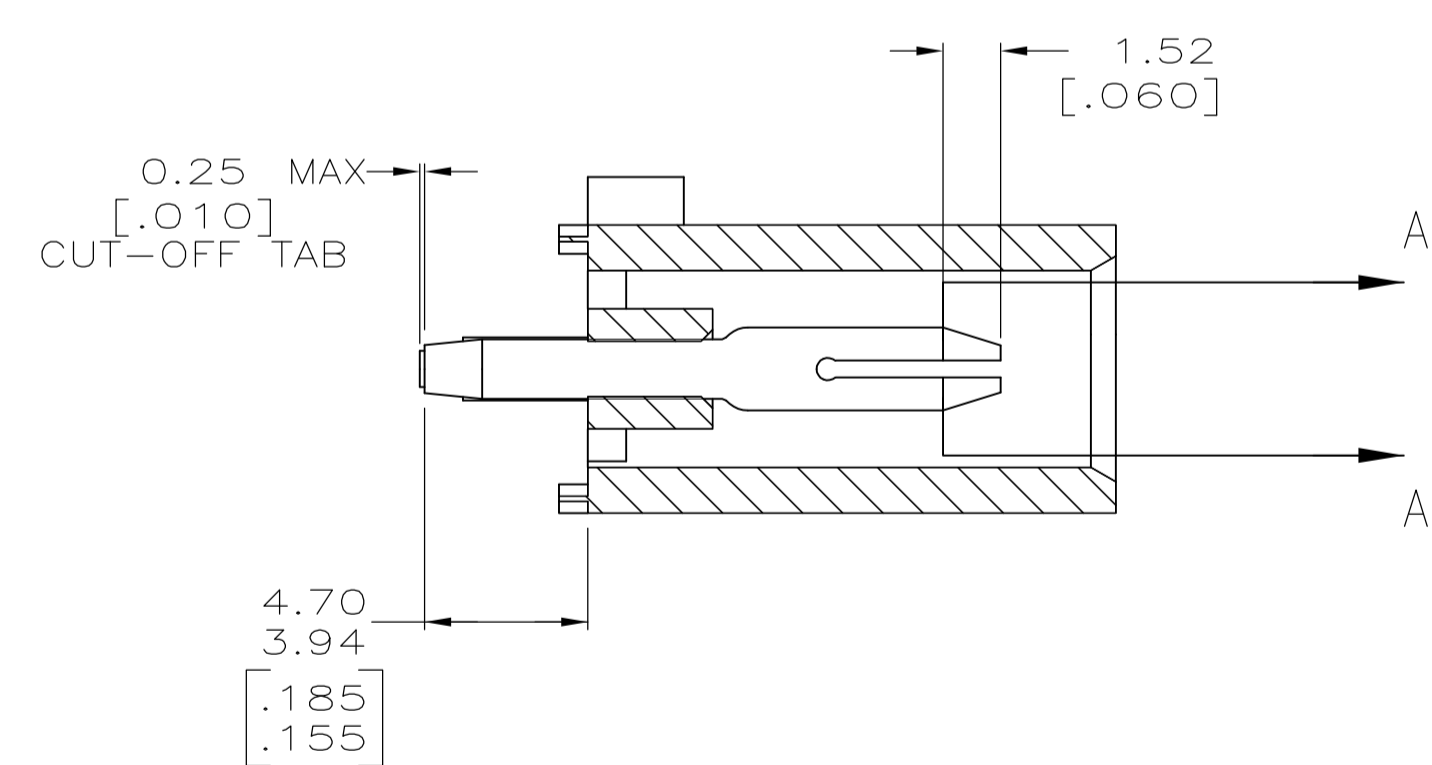


REVISIONS					
P	LTR	DESCRIPTION	DATE	DMN	APVD
M3		REVISED PER ECR-18-000430	12JAN2018	BDA	KR



1. PARTS COMPLY TO AMP SOLDERABILITY SPECIFICATION 109-11-3.
- △ CIRCUIT IDENTIFICATION CHARACTERS ARE ADJACENT TO THE INDICATED CAVITIES, BUT LOCATION AND ORIENTATION MAY DIFFER FROM PRINT.
3. DIMENSIONS IN BRACKETS ARE IN INCHES.
- △ IDENTIFICATION WILL APPEAR AT CIRCUIT NO. 1, OTHERS OPTIONAL.
- △ 0.76 MICRO-METERS [30 MICRO-INCHES] MINIMUM GOLD
- 6 DIMENSIONS SHOWN REPRESENT PRODUCT IN DRY CONDITION. ADDITIONAL 2% GROWTH DUE TO END USE LOCATION MOISTURE ABSORPTION MAY OCCUR AND SHOULD BE ACCOUNTED FOR



PHOSPHOR BRONZE, GOLD △5	NYLON, UL94V-0, WHITE	643408-3
PHOSPHOR BRONZE, PRE-TIN	NYLON, UL94V-0, WHITE	643408-1
PIN CONTACT MATL AND FINISH	HOUSING MATERIAL	PART NO.
THIS DRAWING IS A CONTROLLED DOCUMENT.		
DIMENSIONS: mm [INCHES] TOLERANCES UNLESS OTHERWISE SPECIFIED: 0 PLC ± - 1 PLC ± - 2 PLC ± 0.13 [.005] 3 PLC ± - 4 PLC ± - ANGLES ± -		BIN L. McEACHIN 07-JAN-2000 CHK K. COBLE 07-JUN-2000 APVD K. COBLE 07-JUN-2000 NAME PRODUCT SPEC APPLICATION SPEC SIZE CAGE CODE DRAWING NO. RESTRICTED TO A1 00779 C=643408 WEIGHT CUSTOMER DRAWING SCALE 5:1 SHEET 1 OF 1 REV M3
MATERIAL SEE TABLE FINISH SEE TABLE		NAME PIN HEADER ASSEMBLY, POLARIZED, 6 CIRCUIT UNIVERSAL MATE-N-LOK