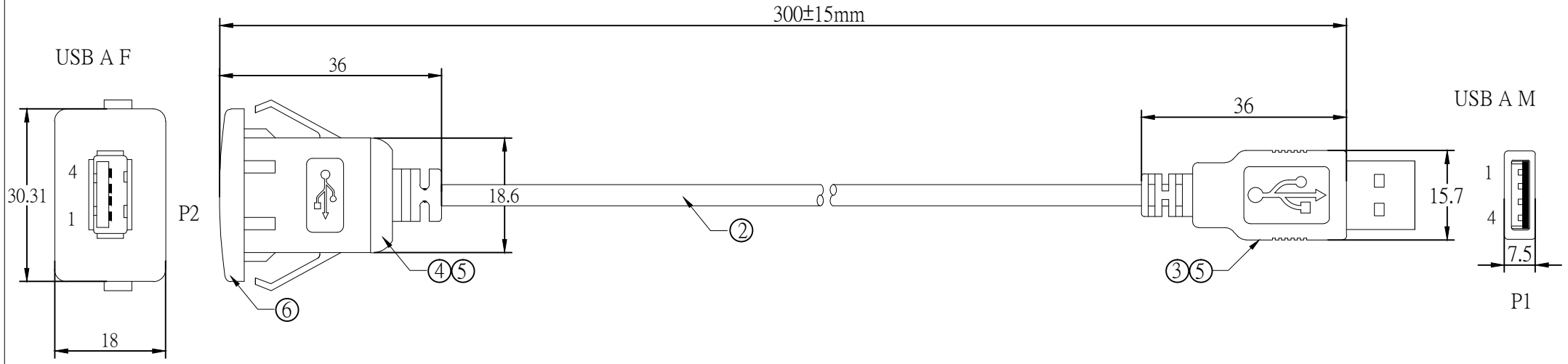


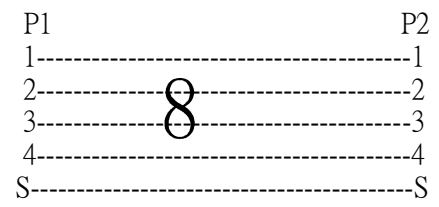
RoHS Compliant



OPEN/SHORT TEST: 100% TEST
INSULATION: 5M.

6	ABS BLACK.	10g
5	OVERMOLD BLACK PVC 45P MA-001.	18g
4	USB2.0 A F WHITE INSULATOR SOLDER TYPE.	1PCS
3	USB2.0 A M WHITE INSULATOR SOLDER TYPE.	1PCS
2	28AWG*1P+24AWG*2C+AEB OD:422MM L:300mm BLACK PVC JACKET UL2725.	1PCS
1	Description USB-A Snap Extend	Q'ty

PIN ASSIGNMENT



Company	Adafruit	Goods Code	Draw	Date	2018.12.07
ITEM NO.	USB A M-F-30cm	Drawing Evidence:	Check	Date	
Goods NO.	C11086-001		Approval	L.Fried	Date
Original NO.	Unit(mm)		Audit	Date	

Premier Cable

D		
C		
B		
VER.	REVISE	Date