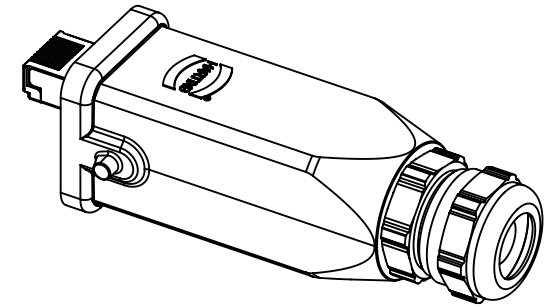


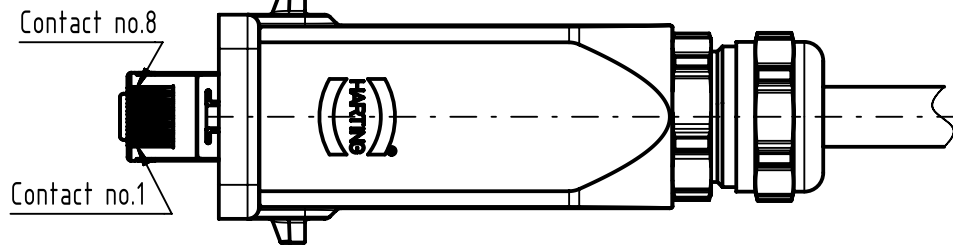
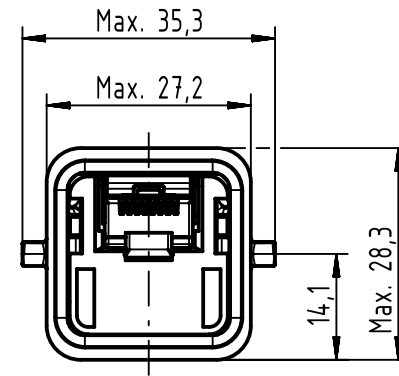
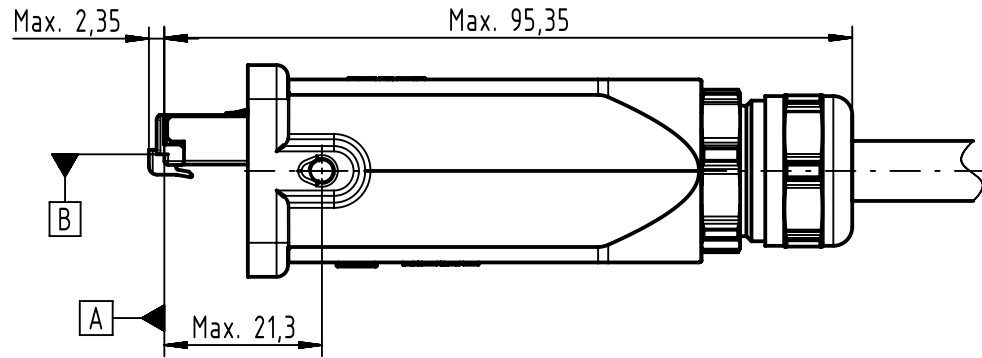
1 2 3 4 5 6

M3 screw for assembly

M20x1,5 metal sealing gland



Mating face acc. to IEC 60603-7



- For stranded conductors (AWG28 up to AWG24)
- Max. wire diameter 1.05mm
- Cable diameter 5 to 9mm
- Degree of protection IP65/IP67
- Cat.6A, Performance class E_A
- Suitable for 1/10 Gigabit Ethernet
- Temperature range: -40°C up to +70°C
- 750 mating cycles

Data contacts plating:
Au 1,27µm (50µ") over Nickel

	All Dimensions in mm Original Size DIN A4	Scale 1:1	Free size tol.		Ref.	
	All rights reserved Department EC PD - RO	Created by TAMAS	Inspected by POPESCUD	Standardisation HOFFMANN	Date 2017-08-30	State Final Release
HARTING Electronics GmbH D-32339 Espelkamp		Title Han3M RJ45 GL Cat6A plug 8p met.			Doc-Key / ECM-Nr. 100515098/UGD/001/C 500000124639	
		Type TB	Number 09451151522		Rev. C	Page 1/1