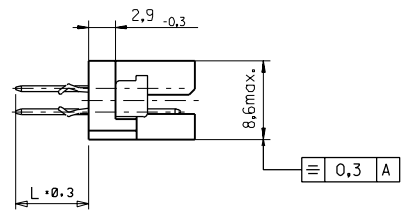
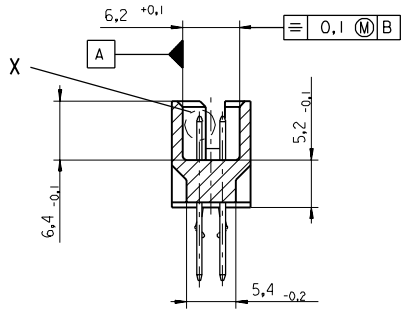
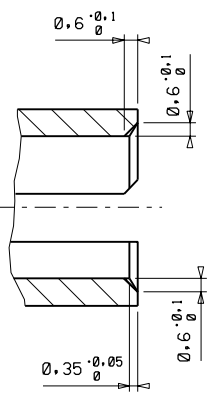
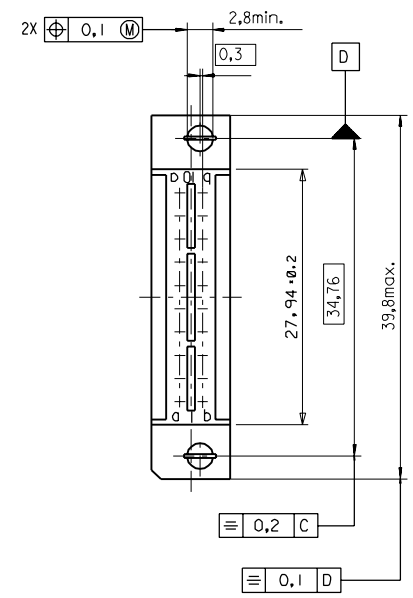
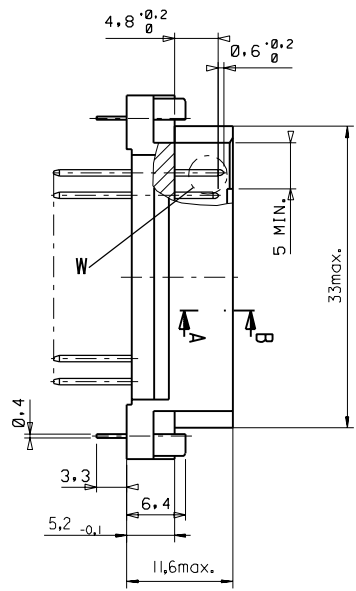
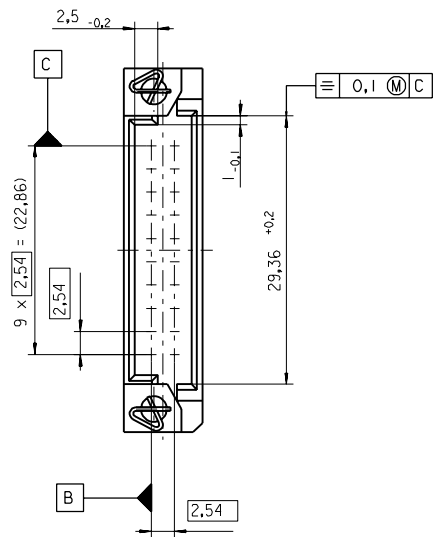
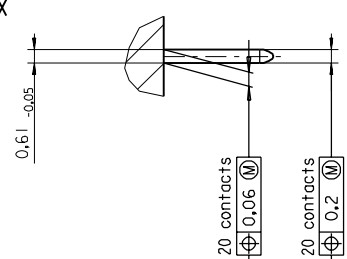


PART NO.
DWG. NO.

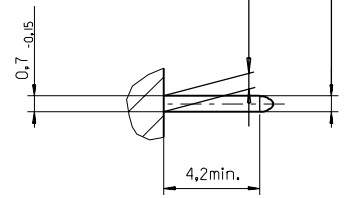
Section A - B
5:1



View X
5:1



View W
5:1



| | | | | | | | |
|-----------------------------------|--|-----------------------|------|--|---|-------------------|------------------|
| first release see ECN No. 1887 | REVISIONS FOR PREVIOUS REVISIONS SEE MRI LIST 3 PLACE ± . ± 2 PLACE ± . ± 1 PLACE ± . ± DRAFT WHERE APPLICABLE MUST REMAIN WITHIN DIMENSIONS DESIGN DIMENSION <input checked="" type="checkbox"/> MM <input type="checkbox"/> IN. EQUIVALENT DIMENSION <input type="checkbox"/> MM <input type="checkbox"/> IN. IF TWO DIMENSIONS ARE SHOWN THE UPPER IS THE DESIGN DIMENSION, LOWER IS SECONDARY | DRWG BY Ca | SIGN | CAD/CAM PROJECT NAME 8501000 611 | THIS DRAWING CONTAINS INFORMATION THAT IS PROPRIETARY TO MOLEX INC. & SHOULD NOT BE USED WITHOUT WRITTEN PERMISSION | SH. | REV. |
| | | CHK'D BY KN | SIGN | TITLE 20 pos. Male connector acc. DIN 41612 style Q/3 Dimensions | | SHEET NO. 1 OF | DATE 95/06/08 |
| A | LTR | APP'D BY | SIGN | MOLEX MOLEX EUROPE | | PART NO. | SIZE B |
| | | SCALE 2:1 | | DWG. NO. SDA-85011-0001 | | | |

View on mating side

| | | | | | | | | | |
|---|---|---|---|---|---|---|---|---|---|
| △ | A | A | A | A | A | A | A | A | A |
| ○ | A | A | A | A | A | A | A | A | A |

▽ ◀ ▶ ↻ ↺ ↻ ↺ ↻ ↺


A = 20 standard contacts L=2,9

| | |
|-------------------|--|
| Marking | Standard |
| Performance level | G1/0 = Contact area perform. level I / Termination tin |
| Flux proof | no |
| Fixing clip | no |
| Lubrication | yes |
| Dimensions | SDA-85011-0001 sht.1 |
| Technical Data | PS-85013-0001 |

| | | |
|----------------|----------------|-------------------------|
| A | G1/0 | b1-l0 |
| Contact symbol | Perform. level | Contact position number |

| | |
|-------------------------------------|-------------|
| □ | LTR |
| see ECN No. 2204 | 96/07/18 CD |
| FOR PREVIOUS REVISIONS SEE MRI LIST | REVISIONS |

| | | |
|---|--|------|
| UNLESS OTHERWISE SPECIFIED TOLERANCES: ANGULAR ± 2° | DRWG BY | SIGN |
| INCH | Cd | |
| METRIC | CHK'D BY | |
| 3 PLACE ± ° | KN | |
| 2 PLACE ± ° | APP'D BY | |
| 1 PLACE ± ° | SCALE | |
| DRAFT WHERE APPLICABLE MUST REMAIN WITHIN DIMENSIONS | DESIGN DIMENSION | SIGN |
| | <input type="checkbox"/> MM <input type="checkbox"/> IN. | |
| | EQUIVALENT DIMENSION | |
| | <input type="checkbox"/> MM <input type="checkbox"/> IN. | |
| IF TWO DIMENSIONS ARE SHOWN THE UPPER IS THE DESIGN DIMENSION, LOWER IS SECONDARY | | |

| | | |
|--|---|----------------|
| REVISE ONLY ON CAD SYSTEM | SH. | REV. |
| CAD/CAM PROJECT NAME | THIS DRAWING CONTAINS INFORMATION THAT IS PROPRIETARY TO MOLEX INC. & SHOULD NOT BE USED WITHOUT WRITTEN PERMISSION | |
| TITLE | SHEET NO. | DATE |
| 20 pos. Male connector acc. DIN 41612 style Q/3 contacts arrangement | 1 OF 1 | 95/06/21 |
|  MOLEX EUROPE | DWG NO. | SIZE |
| | 85011-0086 | SDA-85011-0086 |
| PART NO. | | A |