

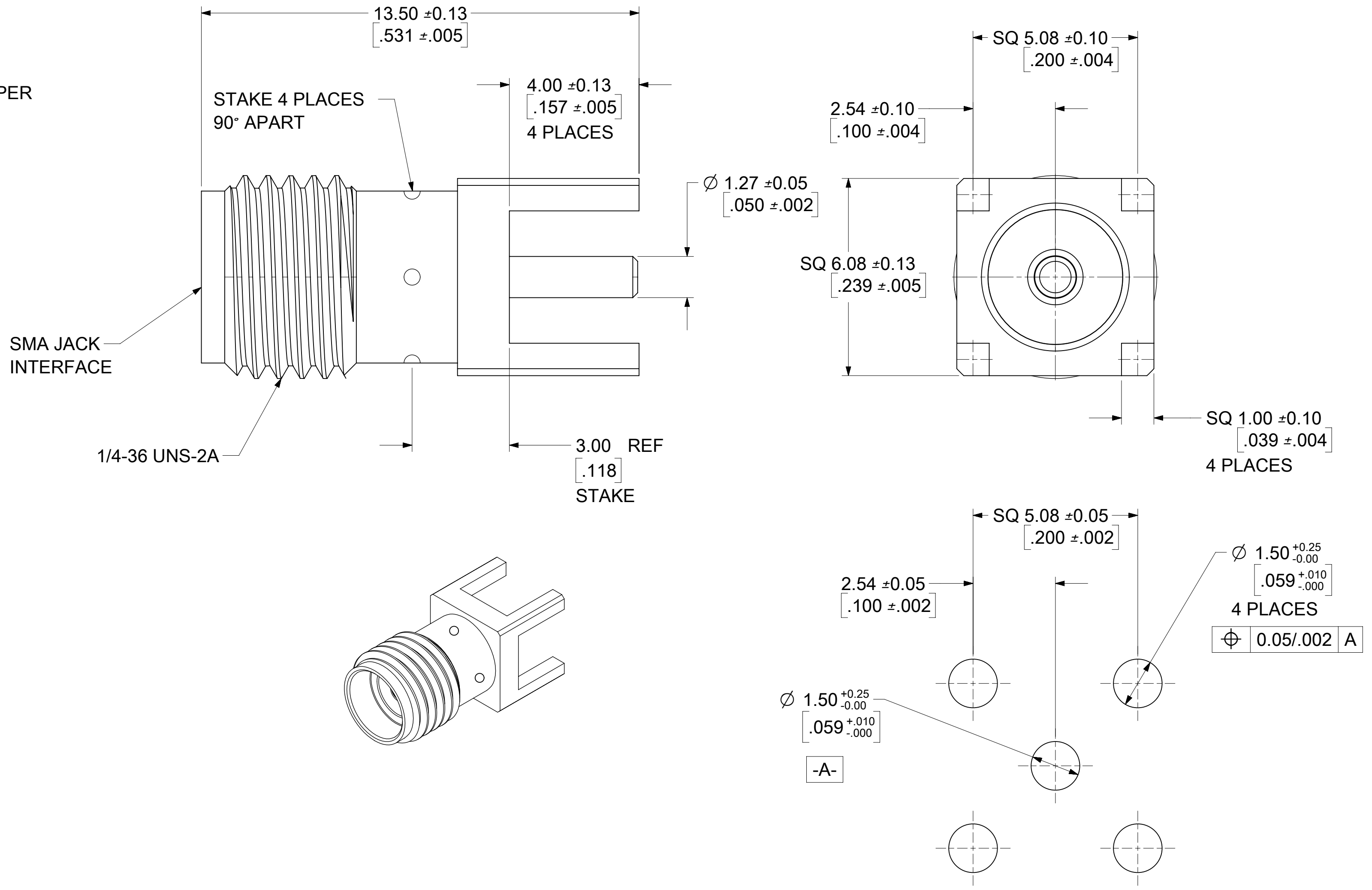
MATERIALS AND FINISHES

BODY BRASS  
PLATED GOLD

CENTER CONTACT BERYLLIUM COPPER  
PLATED GOLD

INSULATOR TEFLON

WILL WITHSTAND REFLOW  
TEMPERATURE OF  
265°C ± 5°C



RECOMMENDED PCB CONFIGURATION

73251-3141	73391-0060 BY TRAY 20 CAVITIES
73251-3140	73391-0060 SINGLE BAG
73391-0060	BY TRAY 80 CAVITIES
PART NO.	DESCRIPTION

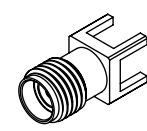
PS-89675-3460	ELEC/MECH PERFORMANCE
SPECIFICATION	DESCRIPTION

FUNCTIONAL SYMBOLS	THIS DRAWING CONTAINS INFORMATION THAT IS PROPRIETARY TO MOLEX ELECTRONIC TECHNOLOGIES, LLC AND SHOULD NOT BE USED WITHOUT WRITTEN PERMISSION		
⊕ = 0	DIMENSION UNITS	SCALE	CURRENT REV DESC: EWR-14025-A ADD STAKE 4 PLACES AND 3.00 REF DIMENSION
⊕ = 0	HYBRID	1:1	
⊕ = 0	GENERAL TOLERANCES (UNLESS SPECIFIED)		
	ANGULAR TOL ± 2.0°		EC NO: 645031
	4 PLACES	±	DRWN: JSU18 2020/09/08
DIVISIONAL SYMBOLS	3 PLACES	±	CHK'D: YCHENG 2020/09/10
	2 PLACES	±	APPR: YCHENG 2020/09/10
	1 PLACE	±	INITIAL REVISION:
	0 PLACES	±	DRWN: TFLAHERTY 2007/02/08
	DRAFT WHERE APPLICABLE MUST REMAIN WITHIN DIMENSIONS		APPR: GHUBBARD 1993/02/08
	THIRD ANGLE PROJECTION	DRAWING	SERIES
	⊕	C-SIZE	73391
	DOCUMENT NUMBER		DOC TYPE   DOC PART   REVISION
	SD-73391-0060		PSD   001   C8
	MATERIAL NUMBER	CUSTOMER	SHEET NUMBER
		GENERAL MARKET	1 OF 2

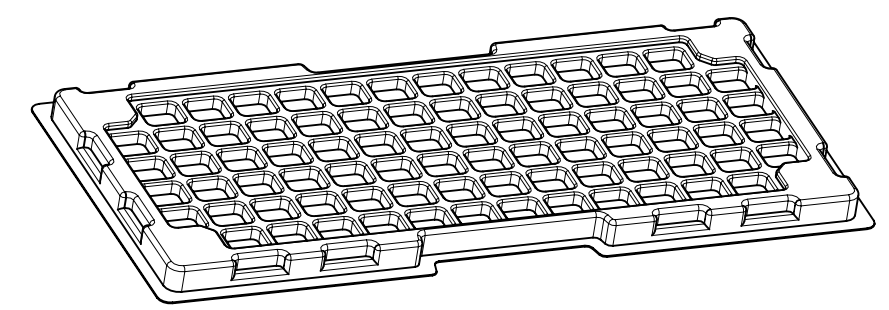
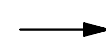


SMA JACK STR  
PCB TH SMA-J/PCB

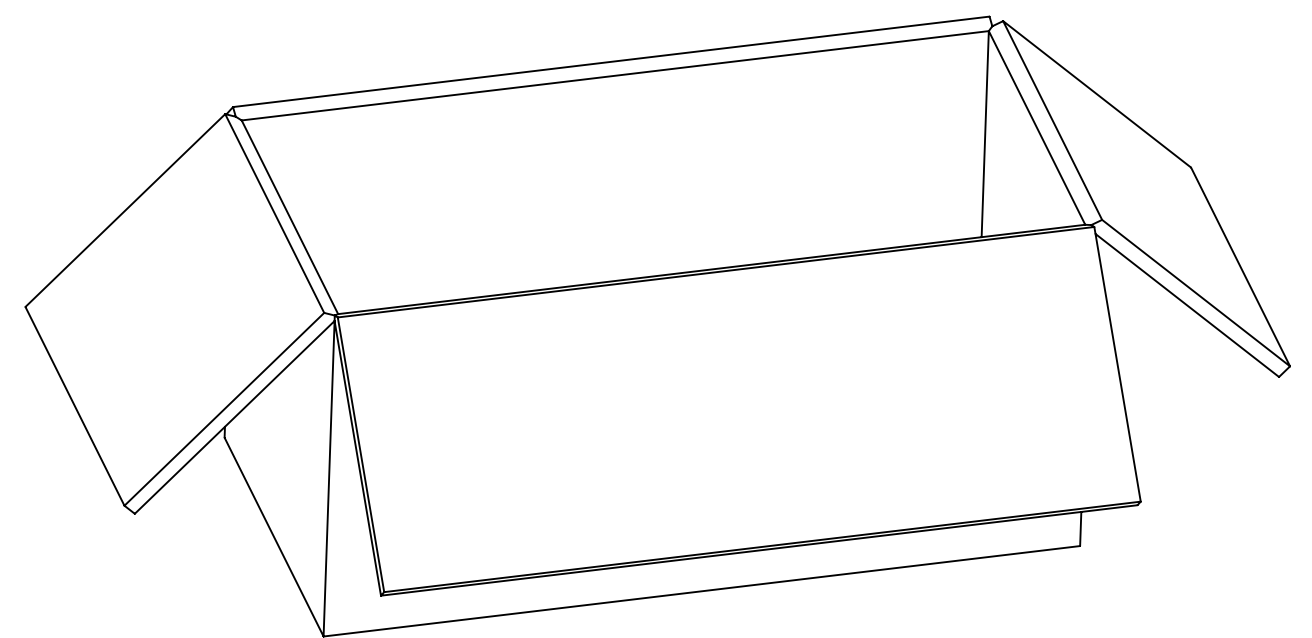
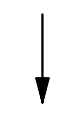
PRODUCT CUSTOMER DRAWING



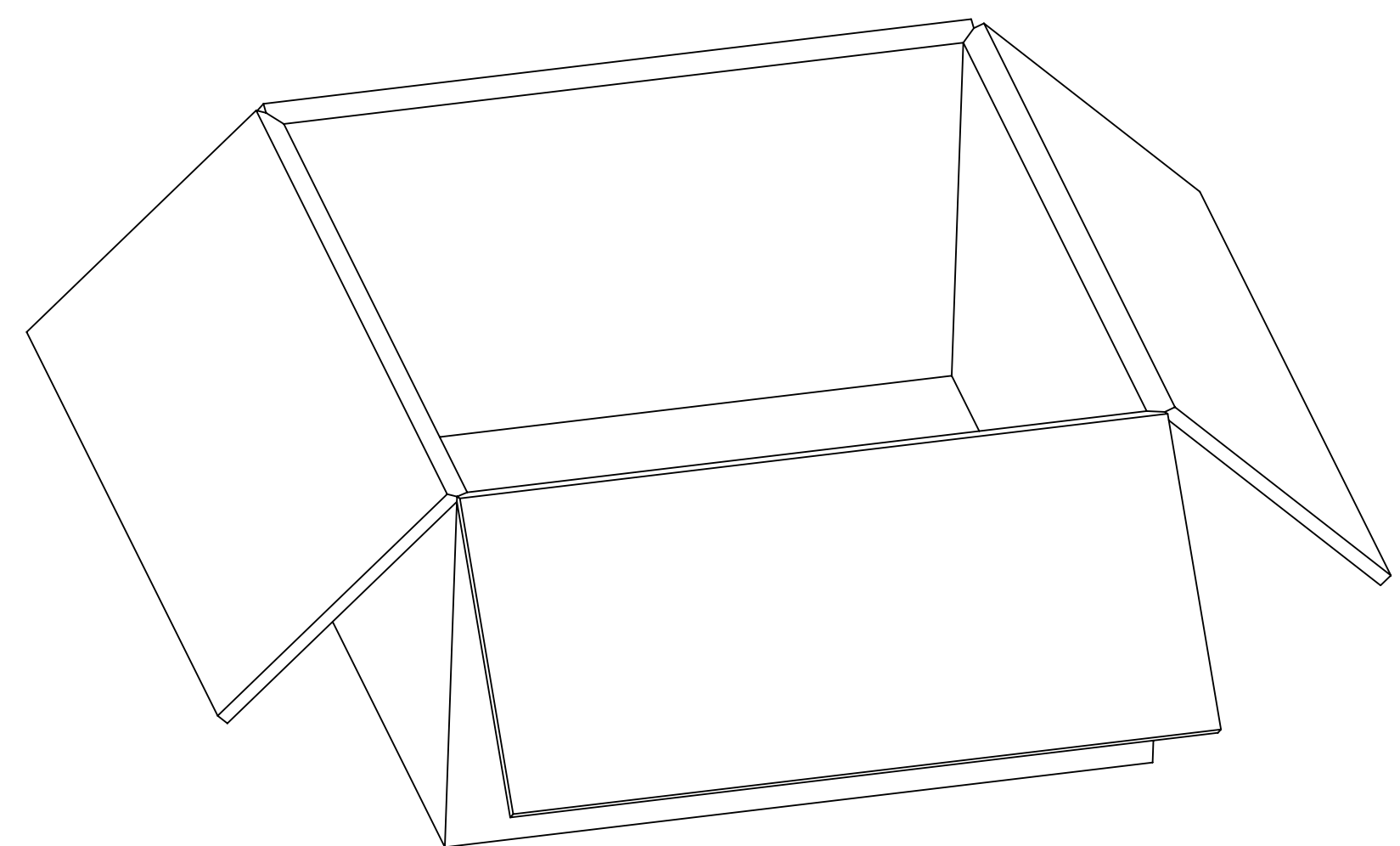
P/N: 73391-0060



80 SETS PER TRAY  
P/N: 89707-0190



1600 SETS PER INNER  
CARTON BOX  
P/N: 96707-0001



3200 SETS PER OUTER  
CARTON BOX  
P/N: 96708-0005

FUNCTIONAL SYMBOLS $\nabla_A = 0$ $\nabla_C = 0$ $\nabla_P = 0$ DIVISIONAL SYMBOLS	THIS DRAWING CONTAINS INFORMATION THAT IS PROPRIETARY TO MOLEX ELECTRONIC TECHNOLOGIES, LLC AND SHOULD NOT BE USED WITHOUT WRITTEN PERMISSION										
	DIMENSION UNITS	SCALE	CURRENT REV DESC: EWR-14025-A ADD STAKE 4 PLACES AND 3.00 REF DIMENSION								
	HYBRID	1:5									
	GENERAL TOLERANCES (UNLESS SPECIFIED)			EC NO: 645031							2020/09/08
ANGULAR TOL $\pm 2.0^\circ$			DRWN: JSU18							2020/09/10	
4 PLACES $\pm$			CHK'D: YCHENG							2020/09/10	
3 PLACES $\pm$			APPR: YCHENG								
2 PLACES $\pm$			INITIAL REVISION:							DOCUMENT NUMBER	
1 PLACE $\pm$			DRWN: TFLAHERTY							SD-73391-0060	
0 PLACES $\pm$			APPR: GHUBBARD							PSD 001 C8	
DRAFT WHERE APPLICABLE MUST REMAIN WITHIN DIMENSIONS			THIRD ANGLE PROJECTION		DRAWING		SERIES		MATERIAL NUMBER		
					C-SIZE		73391		GENERAL MARKET		
									SHEET NUMBER		
									2 OF 2		