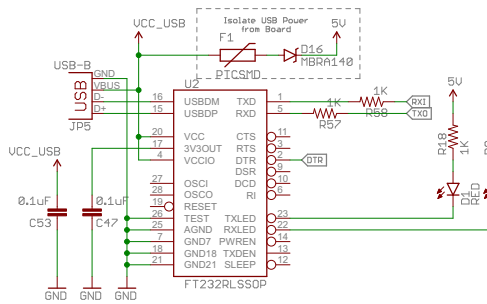
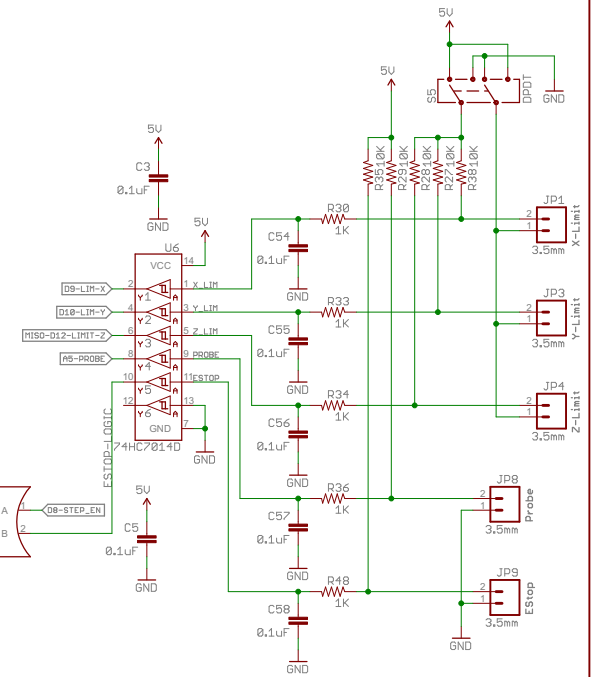
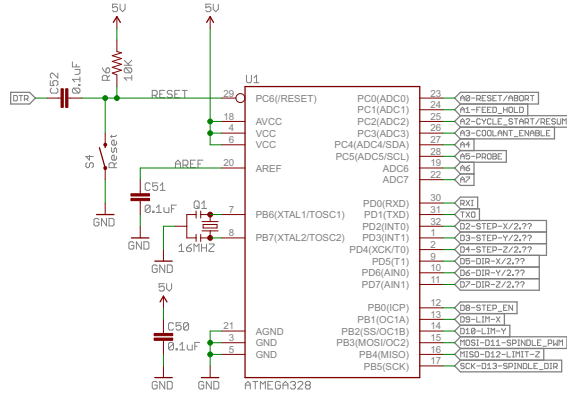


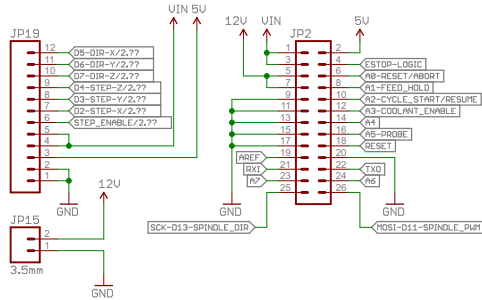
## USB->Serial



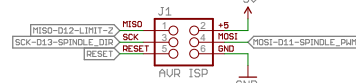
## Control Logic



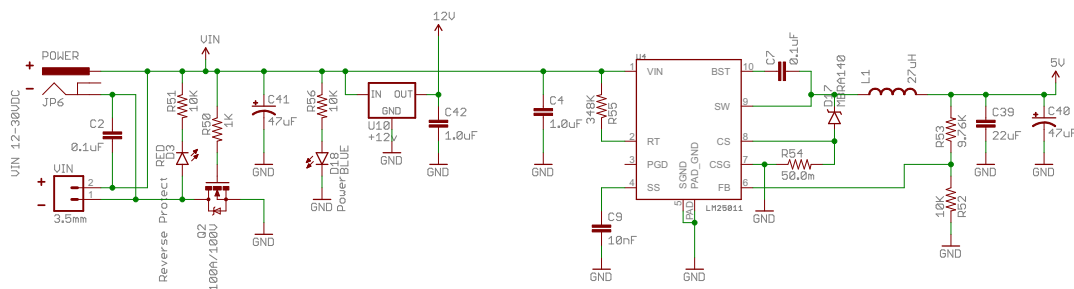
## Expansion Headers



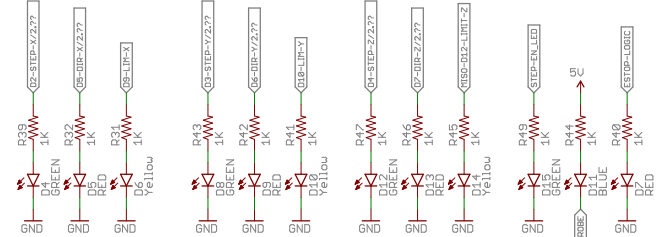
Arduino Map	
D0	- RX
D1	- TX
D2	- STEP X
D3	- STEP Y
D4	- STEP Z
D5	- DIR X
D6	- DIR Y
D7	- DIR Z
D8	- STEP EN
D9	- LIM X
D10	- LIM Y
D11	- SPIN PWM
D12	- LIM Z
D13	- SPIN DIR
A0	- RESET / ABORT
A1	- FEED HOLD
A2	- CYCLE START
A3	- COOLANT EN
A4	- UNUSED
A5	- PROBE
A6	- UNUSED
A7	- UNUSED



## Power Management



## Status LED's



Released under the Creative Commons Attribution Share-Alike 4.0 License  
<https://creativecommons.org/licenses/by-sa/4.0/>

TITLE: SparkFun\_Stepoko\_v10

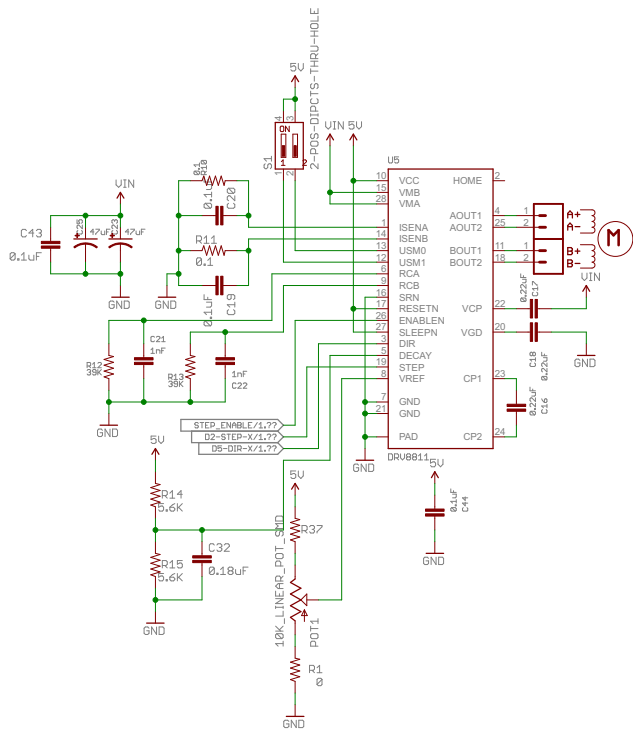
Design by Casey Kuhns

REV: v10

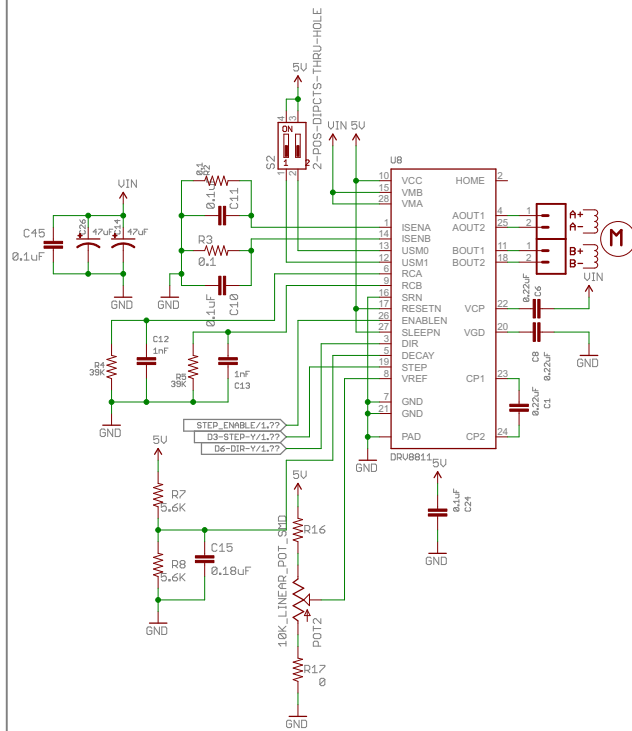
Date: 11/16/2015 10:21:56 AM

Sheet: 1/2

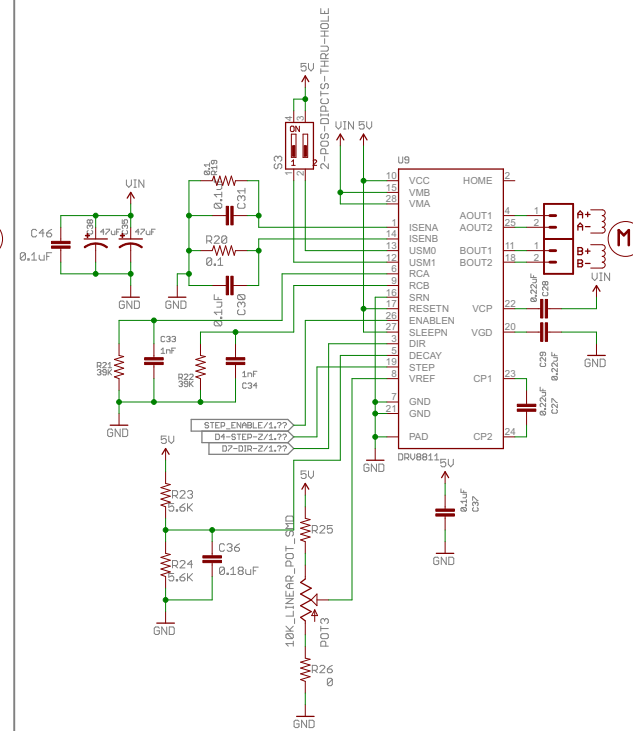
# X-Axis



# Y-Axis



# Z-Axis



Released under the Creative Commons Attribution Share-Alike 4.0 License  
<https://creativecommons.org/licenses/by-sa/4.0/>

TITLE: SparkFun\_Stepoko\_v1.0

Design by Casey Kuhns

REV:  
v11

Date: 11/16/2015 10:21:56 AM

Sheet: 2/2