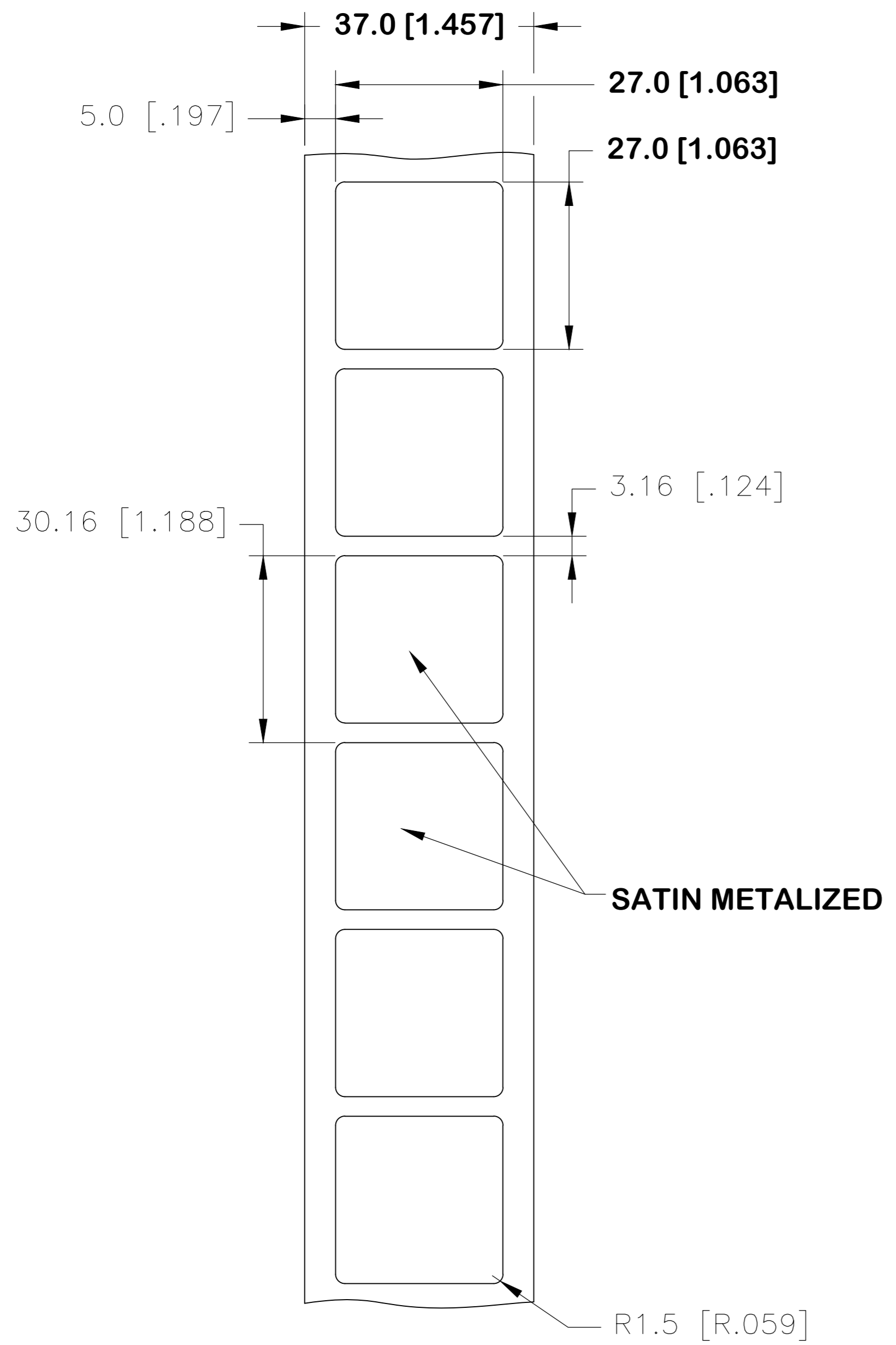


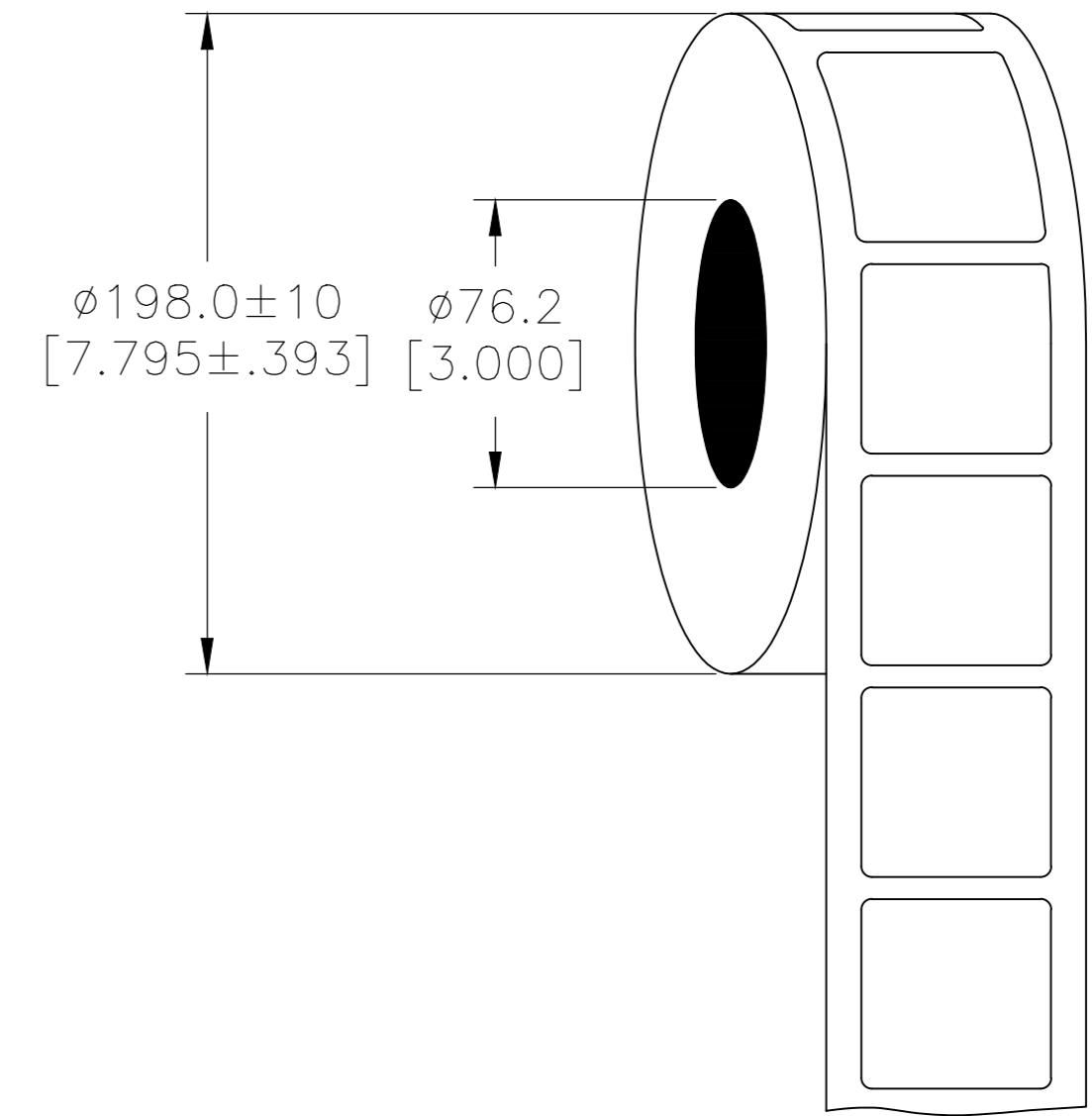
THIS DRAWING IS UNPUBLISHED. RELEASED FOR PUBLICATION JUN , 2018.  
 © COPYRIGHT 2017 By TE Connectivity ALL RIGHTS RESERVED.

REVISIONS					
P	LTR	DESCRIPTION	DATE	DWN	APVD
	A	NEW DRAWING	21SEP2017	GK	DB
	A1	UL TABLE UPDATED	06JUN2018	GK	DB

### LABEL AND LINER DESIGN



### PRESENTATION



**OUTSIDE WOUND LABEL ACROSS: 1 PER ROLL QTY: 1000**

All dimensions in mm [Inch]

**TE PN: 2322581-1**

UL-MARKING AND LABELLING SYSTEMS	
PGJ12 - Printing Materials - Component (UL 969)	
PGJ18 - Printing Materials Certified for Canada - Component (CSA C22.2 No. 0.15)	
File: MH17292	Product design: <b>PL-8A</b> Ribbon: TTB-XXXSC/YYYYAQ529

TOLERANCES mm [INCH]	
LABEL HEIGHT:	$\pm 0.3$ [.012]
LABEL WIDTH:	$\pm 0.3$ [.012]
WEB WIDTH:	$\pm 0.5$ [.020]
VERTICAL REPEAT:	$\pm 0.5$ [.020]*
HORIZONTAL REPEAT:	$\pm 0.5$ [.020]*
LABEL POSITIONING:	$\pm 0.5$ [.020]*
LEFT MARGIN:	$\pm 0.5$ [.020]
QUANTITY:	-0 % +2 %
*NON ACCUMULATING	

MATERIAL		POLYESTER SATIN METALIZED	
ADHESIVE TYPE		ACRYLIC PE FOAM	
LINEAR		BROWN KRAFT	
DWN	21SEP2017	GOPALAKRISHNA HV	
CHK	21SEP2017	D.BURGAT	
APVD	21SEP2017	D.BURGAT	
PRODUCT SPEC	TTDS-245	NAME	
APPLICATION SPEC		PANEL LABEL-SATIN METALIZED	
		27.0 x 27.0mm [1.063 x 1.063inch]	
WEIGHT	0.343 <sub>g</sub>	SIZE	A2
CUSTOMER DRAWING		CAGE CODE	FB1U7
		DRAWING NO	PL-027027-1-8A
		RESTRICTED TO	
SCALE	NTS	SHEET	1 of 1
		REV	A1