

## Features

- 64-Kbit nonvolatile static random access memory (nvSRAM) internally organized as 8K × 8
  - STORE to QuantumTrap nonvolatile elements initiated automatically on power-down (AutoStore) or by using SPI instruction (Software STORE)
  - RECALL to SRAM initiated on power-up (Power-Up RECALL) or by SPI instruction (Software RECALL)
  - Support automatic STORE on power-down with a small capacitor (except for CY14MX064Q1B)
- High reliability
  - Infinite read, write, and RECALL cycles
  - 1million STORE cycles to QuantumTrap
  - Data retention: 20 years at 85 °C
- High speed serial peripheral interface (SPI)
  - 40-MHz clock rate SPI write and read with zero cycle delay
  - Supports SPI mode 0 (0, 0) and mode 3 (1, 1)
- SPI access to special functions
  - Nonvolatile STORE/RECALL
  - 8-byte serial number
  - Manufacturer ID and Product ID
  - Sleep mode
- Write protection
  - Hardware protection using Write Protect ( $\overline{WP}$ ) pin
  - Software protection using Write Disable instruction
  - Software block protection for 1/4, 1/2, or entire array
- Low power consumption
  - Average active current of 3 mA at 40 MHz operation
  - Average standby mode current of 120  $\mu$ A
  - Sleep mode current of 8  $\mu$ A

## Industry standard configurations

- Operating voltages:
  - CY14MB064Q1B/CY14MB064Q2B:  $V_{CC} = 2.7 \text{ V to } 3.6 \text{ V}$
  - CY14ME064Q1B/CY14ME064Q2B:  $V_{CC} = 4.5 \text{ V to } 5.5 \text{ V}$
- Industrial temperature
- 8-pin small outline integrated circuit (SOIC) package
- Restriction of hazardous substances (RoHS) compliant

## Functional Description

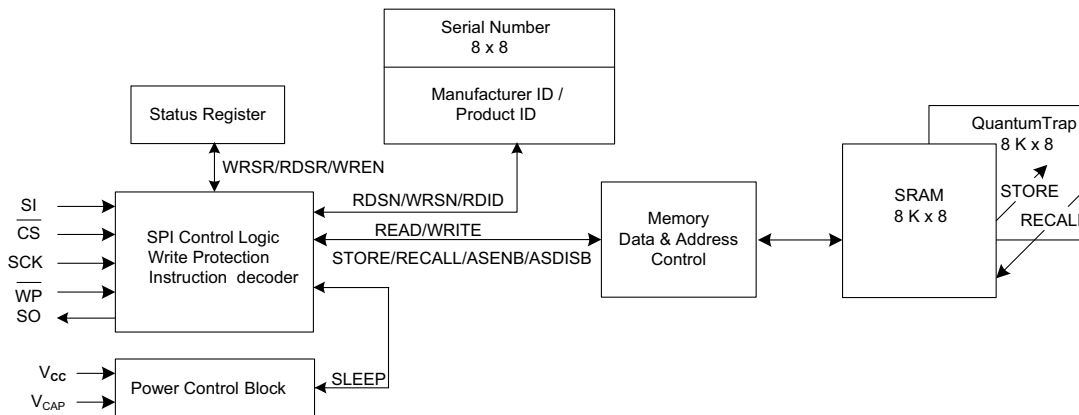
The Cypress CY14MX064Q combines a 64-Kbit nvSRAM with a nonvolatile element in each memory cell with serial SPI interface. The memory is organized as 8K words of 8 bits each. The embedded nonvolatile elements incorporate the QuantumTrap technology, creating the world's most reliable nonvolatile memory. The SRAM provides infinite read and write cycles, while the QuantumTrap cells provide highly reliable nonvolatile storage of data. Data transfers from SRAM to the nonvolatile elements (STORE operation) takes place automatically at power-down (except for CY14MX064Q1B). On power-up, data is restored to the SRAM from the nonvolatile memory (RECALL operation). You can also initiate the STORE and RECALL operations through SPI instruction.

For a complete list of related documentation, click [here](#).

## Configuration

Feature	CY14MX064Q1B	CY14MX064Q2B
AutoStore	No	Yes
Software STORE	Yes	Yes

## Logic Block Diagram



## Contents

<b>Pinout</b> .....	<b>3</b>	AutoStore Disable (ASDISB) Instruction .....	15
<b>Pin Definitions</b> .....	<b>3</b>	<b>Special Instructions</b> .....	<b>15</b>
<b>Device Operation</b> .....	<b>4</b>	SLEEP Instruction .....	15
SRAM Write .....	4	<b>Serial Number</b> .....	<b>15</b>
SRAM Read .....	4	WRSN (Serial Number Write) Instruction .....	15
STORE Operation .....	4	RDSN (Serial Number Read) Instruction .....	16
AutoStore Operation .....	4	<b>Device ID</b> .....	<b>16</b>
Software STORE Operation .....	5	RDID (Device ID Read) Instruction .....	17
RECALL Operation .....	5	HOLD Pin Operation .....	17
Hardware RECALL (Power-Up) .....	5	<b>Maximum Ratings</b> .....	<b>18</b>
Software RECALL .....	5	<b>Operating Range</b> .....	<b>18</b>
Disabling and Enabling AutoStore .....	5	<b>DC Electrical Characteristics</b> .....	<b>18</b>
<b>Serial Peripheral Interface</b> .....	<b>6</b>	<b>Data Retention and Endurance</b> .....	<b>20</b>
SPI Overview .....	6	<b>Capacitance</b> .....	<b>20</b>
SPI Modes .....	7	<b>Thermal Resistance</b> .....	<b>20</b>
<b>SPI Operating Features</b> .....	<b>8</b>	<b>AC Test Loads and Waveforms</b> .....	<b>20</b>
Power-Up .....	8	<b>AC Test Conditions</b> .....	<b>20</b>
Power-Down .....	8	<b>AC Switching Characteristics</b> .....	<b>21</b>
Active Power and Standby Power Modes .....	8	<b>Switching Waveforms</b> .....	<b>22</b>
<b>SPI Functional Description</b> .....	<b>9</b>	<b>AutoStore or Power-Up RECALL</b> .....	<b>23</b>
<b>Status Register</b> .....	<b>10</b>	<b>Software Controlled STORE and RECALL Cycles</b> .....	<b>24</b>
Read Status Register (RDSR) Instruction .....	10	<b>Switching Waveforms</b> .....	<b>24</b>
Write Status Register (WRSR) Instruction .....	10	<b>Ordering Information</b> .....	<b>25</b>
<b>Write Protection and Block Protection</b> .....	<b>11</b>	Ordering Code Definitions .....	25
Write Enable (WREN) Instruction .....	11	<b>Package Diagrams</b> .....	<b>26</b>
Write Disable (WRDI) Instruction .....	11	<b>Acronyms</b> .....	<b>27</b>
Block Protection .....	12	<b>Document Conventions</b> .....	<b>27</b>
Hardware Write Protection (WP) .....	12	Units of Measure .....	27
<b>Memory Access</b> .....	<b>12</b>	<b>Document History Page</b> .....	<b>28</b>
Read Sequence (READ) Instruction .....	12	<b>Sales, Solutions, and Legal Information</b> .....	<b>29</b>
Write Sequence (WRITE) Instruction .....	12	Worldwide Sales and Design Support .....	29
<b>nvSRAM Special Instructions</b> .....	<b>14</b>	Products .....	29
Software STORE (STORE) Instruction .....	14	PSoC® Solutions .....	29
Software RECALL (RECALL) Instruction .....	14	Cypress Developer Community .....	29
AutoStore Enable (ASENB) Instruction .....	14	Technical Support .....	29

## Pinout

Figure 1. 8-pin SOIC pinout <sup>[1, 2]</sup>



## Pin Definitions

Pin Name <sup>[1, 2]</sup>	I/O Type	Description
$\overline{CS}$	Input	<b>Chip Select.</b> Activates the device when pulled LOW. Driving this pin high puts the device in low power standby mode.
SCK	Input	<b>Serial Clock.</b> Runs at speeds up to a maximum of $f_{SCK}$ . Serial input is latched at the rising edge of this clock. Serial output is driven at the falling edge of the clock.
SI	Input	<b>Serial Input.</b> Pin for input of all SPI instructions and data.
SO	Output	<b>Serial Output.</b> Pin for output of data through SPI.
$\overline{WP}$	Input	<b>Write Protect.</b> Implements hardware write protection in SPI.
$\overline{HOLD}$	Input	<b>HOLD Pin.</b> Suspends serial operation.
$V_{CAP}$	Power supply	<b>AutoStore Capacitor.</b> Supplies power to the nvSRAM during power loss to STORE data from the SRAM to nonvolatile elements. If AutoStore is not needed, this pin must be left as No Connect. It must never be connected to ground.
NC	No connect	<b>No Connect:</b> This pin is not connected to the die.
$V_{SS}$	Power supply	<b>Ground</b>
$V_{CC}$	Power supply	<b>Power supply</b>

### Notes

1. CY14MX064Q1B part does not have  $V_{CAP}$  pin and does not support AutoStore.
2. CY14MX064Q2B part does not have WP pin.

## Device Operation

CY14MX064Q is a 64-Kbit serial (SPI) nvSRAM memory with a nonvolatile element in each memory cell. All the reads and writes to nvSRAM happen to the SRAM, which gives nvSRAM the unique capability to handle infinite writes to the memory. The data in SRAM is secured by a STORE sequence which transfers the data in parallel to the nonvolatile QuantumTrap cells. A small capacitor ( $V_{CAP}$ ) is used to AutoStore the SRAM data in nonvolatile cells when power goes down providing power-down data security. The QuantumTrap nonvolatile elements built in the reliable SONOS technology make nvSRAM the ideal choice for secure data storage.

The 64-Kbit memory array is organized as 8K words  $\times$  8 bits. The memory can be accessed through a standard SPI interface that enables very high clock speeds up to 40 MHz with zero cycle delay read and write cycles. This device supports SPI modes 0 and 3 (CPOL, CPHA = 0, 0 and 1, 1) and operates as SPI slave. The device is enabled using the Chip Select ( $\overline{CS}$ ) pin and accessed through Serial Input (SI), Serial Output (SO), and Serial Clock (SCK) pins.

This device provides the feature for hardware and software write protection through the WP pin and WRDI instruction respectively along with mechanisms for block write protection (1/4, 1/2, or full array) using BP0 and BP1 pins in the Status Register. Further, the HOLD pin is used to suspend any serial communication without resetting the serial sequence.

CY14MX064Q uses the standard SPI opcodes for memory access. In addition to the general SPI instructions for read and write, it provides four special instructions that allow access to four nvSRAM specific functions: STORE, RECALL, AutoStore Disable (ASDISB), and AutoStore Enable (ASENB).

The major benefit of nvSRAM over serial EEPROMs is that all reads and writes to nvSRAM are performed at the speed of SPI bus with zero cycle delay. Therefore, no wait time is required after any of the memory accesses. The STORE and RECALL operations need finite time to complete and all memory accesses are inhibited during this time. While a STORE or RECALL operation is in progress, the busy status of the device is indicated by the RDY bit of the Status Register.

The device is available in three different pin configurations that enable you to choose a part which fits in best in their application.

The feature summary is given in [Table 1](#).

**Table 1. Feature Summary**

Feature	CY14MX064Q1B	CY14MX064Q2B
WP	Yes	No
$V_{CAP}$	No	Yes
AutoStore	No	Yes
Power-Up RECALL	Yes	Yes
Software STORE	Yes	Yes

### SRAM Write

All writes to nvSRAM are carried out on the SRAM and do not use up any endurance cycles of the nonvolatile memory. This allows you to perform infinite write operations. A write cycle is

performed through the WRITE instruction. The WRITE instruction is issued through the SI pin of the nvSRAM and consists of the WRITE opcode, two bytes of address, and one byte of data. Write to nvSRAM is done at SPI bus speed with zero cycle delay.

The device allows burst mode writes to be performed through SPI. This enables write operations on consecutive addresses without issuing a new WRITE instruction. When the last address in memory is reached in burst mode, the address rolls over to 0x0000 and the device continues to write.

The SPI write cycle sequence is defined explicitly in the Memory Access section of SPI Protocol Description.

### SRAM Read

A read cycle is performed at the SPI bus speed. The data is read out with zero cycle delay after the READ instruction is executed. The READ instruction is issued through the SI pin of the nvSRAM and consists of the READ opcode and two bytes of address. The data is read out on the SO pin.

This device allows burst mode reads to be performed through SPI. This enables reads on consecutive addresses without issuing a new READ instruction. When the last address in memory is reached in burst mode read, the address rolls over to 0x0000 and the device continues to read.

The SPI read cycle sequence is defined explicitly in the Memory Access section of SPI Protocol Description.

### STORE Operation

STORE operation transfers the data from the SRAM to the nonvolatile QuantumTrap cells. The device STOREs data to the nonvolatile cells using one of the two STORE operations: AutoStore, activated on device power-down; and Software STORE, activated by a STORE instruction. During the STORE cycle, an erase of the previous nonvolatile data is first performed, followed by a program of the nonvolatile elements. After a STORE cycle is initiated, read/write to CY14MX064Q is inhibited until the cycle is completed.

The  $\overline{RDY}$  bit in the Status Register can be monitored by the system to detect if a STORE or Software RECALL cycle is in progress. The busy status of nvSRAM is indicated RDY bit being set to '1'. To avoid unnecessary nonvolatile STOREs, AutoStore operation is ignored unless at least one write operation has taken place since the most recent STORE or RECALL cycle. However, software initiated STORE cycles are performed regardless of whether a write operation has taken place.

### AutoStore Operation

The AutoStore operation is a unique feature of nvSRAM which automatically stores the SRAM data to QuantumTrap cells during power-down. This STORE makes use of an external capacitor ( $V_{CAP}$ ) and enables the device to safely STORE the data in the nonvolatile memory when power goes down.

During normal operation, the device draws current from  $V_{CC}$  to charge the capacitor connected to the  $V_{CAP}$  pin. When the voltage on the  $V_{CC}$  pin drops below  $V_{SWITCH}$  during power-down, the device inhibits all memory accesses to nvSRAM and automatically performs a conditional STORE operation using the

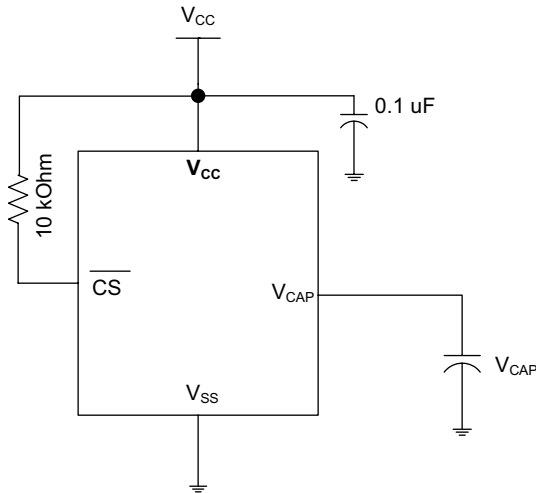
charge from the  $V_{CAP}$  capacitor. The AutoStore operation is not initiated if no write cycle has been performed since last RECALL.

**Note** If a capacitor is not connected to  $V_{CAP}$  pin, AutoStore must be disabled by issuing the AutoStore Disable instruction (AutoStore Disable (ASDISB) Instruction on page 15). If AutoStore is enabled without a capacitor on the  $V_{CAP}$  pin, the device attempts an AutoStore operation without sufficient charge to complete the STORE. This will corrupt the data stored in nvSRAM, Status Register as well as the serial number and it will unlock the SNL bit. To resume normal functionality, the WRSR instruction must be issued to update the nonvolatile bits BP0, BP1, and WPEN in the Status Register.

Figure 2 shows the proper connection of the storage capacitor ( $V_{CAP}$ ) for AutoStore operation. Refer to DC Electrical Characteristics on page 18 for the size of the  $V_{CAP}$ .

**Note** CY14MX064Q1B does not support AutoStore operation. You must perform Software STORE operation by using the SPI STORE instruction to secure the data.

**Figure 2. AutoStore Mode**



### Software STORE Operation

Software STORE enables the user to trigger a STORE operation through a special SPI instruction. STORE operation is initiated by executing STORE instruction irrespective of whether a write has been performed since the last NV operation.

A STORE cycle takes  $t_{STORE}$  time to complete, during which all the memory accesses to nvSRAM are inhibited. The RDY bit of the Status Register may be polled to find the Ready or Busy status of the nvSRAM. After the  $t_{STORE}$  cycle time is completed, the SRAM is activated again for read and write operations.

### RECALL Operation

A RECALL operation transfers the data stored in the nonvolatile QuantumTrap elements to the SRAM. A RECALL may be initiated in two ways: Hardware RECALL, initiated on power-up and Software RECALL, initiated by a SPI RECALL instruction.

Internally, RECALL is a two step procedure. First, the SRAM data is cleared. Next, the nonvolatile information is transferred into the SRAM cells. All memory accesses are inhibited while a RECALL cycle is in progress. The RECALL operation does not alter the data in the nonvolatile elements.

### Hardware RECALL (Power-Up)

During power-up, when  $V_{CC}$  crosses  $V_{SWITCH}$ , an automatic RECALL sequence is initiated, which transfers the content of nonvolatile memory on to the SRAM. The data would previously have been stored on the nonvolatile memory through a STORE sequence.

A Power-Up RECALL cycle takes  $t_{FA}$  time to complete and the memory access is disabled during this time.

### Software RECALL

Software RECALL allows you to initiate a RECALL operation to restore the content of nonvolatile memory on to the SRAM. A Software RECALL is issued by using the SPI instruction for RECALL.

A Software RECALL takes  $t_{RECALL}$  time to complete during which all memory accesses to nvSRAM are inhibited. The controller must provide sufficient delay for the RECALL operation to complete before issuing any memory access instructions.

### Disabling and Enabling AutoStore

If the application does not require the AutoStore feature, it can be disabled by using the ASDISB instruction. If this is done, the nvSRAM does not perform a STORE operation at power-down.

AutoStore can be re enabled by using the ASENB instruction. However, these operations are not nonvolatile and if you need this setting to survive the power cycle, a STORE operation must be performed following AutoStore Disable or Enable operation.

**Note** CY14MX064Q2B comes with the factory with autoStore enabled and CY14MX064Q1B/CY14MX064Q2B with 0x00 written in all cells. In CY14MX064Q1B,  $V_{CAP}$  pin is not present and AutoStore option is not available.

**Note** If AutoStore is disabled and  $V_{CAP}$  is not required, then the  $V_{CAP}$  pin must be left open. The  $V_{CAP}$  pin must never be connected to ground. The Power-Up RECALL operation cannot be disabled in any case.



## Serial Peripheral Interface

### SPI Overview

The SPI is a four-pin interface with Chip Select ( $\overline{CS}$ ), Serial Input (SI), Serial Output (SO), and Serial Clock (SCK) pins. CY14MX064Q provides serial access to nvSRAM through SPI interface. The SPI bus on CY14MX064Q can run at speeds up to 40 MHz.

The SPI is a synchronous serial interface which uses clock and data pins for memory access and supports multiple devices on the data bus. A device on SPI bus is activated using the  $\overline{CS}$  pin.

The relationship between chip select, clock, and data is dictated by the SPI mode. This device supports SPI modes 0 and 3. In both these modes, data is clocked into the nvSRAM on the rising edge of SCK starting from the first rising edge after  $\overline{CS}$  goes active.

The SPI protocol is controlled by opcodes. These opcodes specify the commands from the bus master to the slave device. After  $\overline{CS}$  is activated the first byte transferred from the bus master is the opcode. Following the opcode, any addresses and data are then transferred. The  $\overline{CS}$  must go inactive after an operation is complete and before a new opcode can be issued. The commonly used terms used in SPI protocol are given below:

#### SPI Master

The SPI master device controls the operations on a SPI bus. A SPI bus may have only one master with one or more slave devices. All the slaves share the same SPI bus lines and the master may select any of the slave devices using the  $\overline{CS}$  pin. All the operations must be initiated by the master activating a slave device by pulling the  $\overline{CS}$  pin of the slave LOW. The master also generates the SCK and all the data transmission on SI and SO lines are synchronized with this clock.

#### SPI Slave

The SPI slave device is activated by the master through the Chip Select line. A slave device gets the SCK as an input from the SPI master and all the communication is synchronized with this clock. SPI slave never initiates a communication on the SPI bus and acts on the instruction from the master.

CY14MX064Q operates as a SPI slave and may share the SPI bus with other SPI slave devices.

#### Chip Select ( $\overline{CS}$ )

For selecting any slave device, the master needs to pull-down the corresponding  $\overline{CS}$  pin. Any instruction can be issued to a slave device only while the  $\overline{CS}$  pin is LOW. When the device is not selected, data through the SI pin is ignored and the serial output pin (SO) remains in a high impedance state.

**Note** A new instruction must begin with the falling edge of  $\overline{CS}$ . Therefore, only one opcode can be issued for each active Chip Select cycle.

#### Serial Clock (SCK)

Serial clock is generated by the SPI master and the communication is synchronized with this clock after  $\overline{CS}$  goes LOW.

CY14MX064Q enables SPI modes 0 and 3 for data communication. In both these modes, the inputs are latched by the slave device on the rising edge of SCK and outputs are issued on the falling edge. Therefore, the first rising edge of SCK signifies the arrival of the first bit (MSB) of SPI instruction on the SI pin. Further, all data inputs and outputs are synchronized with SCK.

#### Data Transmission - SI/SO

SPI data bus consists of two lines, SI and SO, for serial data communication. The SI is also referred to as Master Out Slave In (MOSI) and SO is referred to as Master In Slave Out (MISO). The master issues instructions to the slave through the SI pin, while the slave responds through the SO pin. Multiple slave devices may share the SI and SO lines as described earlier.

CY14MX064Q has two separate pins for SI and SO, which can be connected with the master as shown in [Figure 3 on page 7](#).

#### Most Significant Bit (MSB)

The SPI protocol requires that the first bit to be transmitted is the Most Significant Bit (MSB). This is valid for both address and data transmission.

The 64-Kbit serial nvSRAM requires a 2-byte address for any read or write operation. However, since the address is only 13 bits, it implies that the first three bits which are fed in are ignored by the device. Although these three bits are 'don't care', Cypress recommends that these bits are treated as 0s to enable seamless transition to higher memory densities.

#### Serial Opcode

After the slave device is selected with  $\overline{CS}$  going LOW, the first byte received is treated as the opcode for the intended operation. CY14MX064Q uses the standard opcodes for memory accesses. In addition to the memory accesses, it provides additional opcodes for the nvSRAM specific functions: STORE, RECALL, AutoStore Enable, and AutoStore Disable. Refer to [Table 2 on page 9](#) for details.

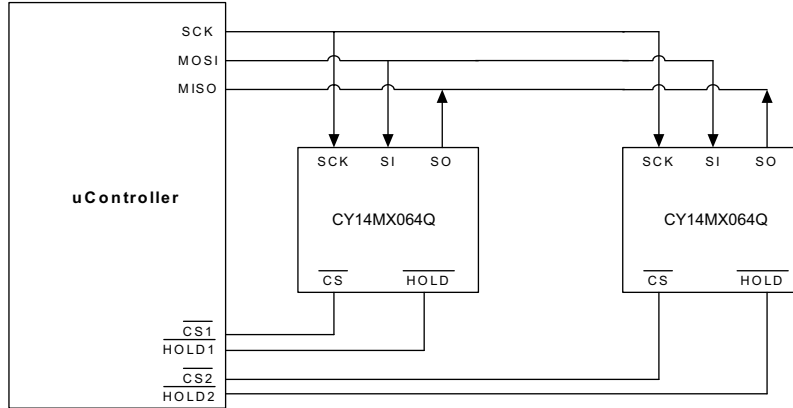
#### Invalid Opcode

If an invalid opcode is received, the opcode is ignored and the device ignores any additional serial data on the SI pin till the next falling edge of  $\overline{CS}$  and the SO pin remains tri-stated.

#### Status Register

CY14MX064Q has an 8-bit Status Register. The bits in the Status Register are used to configure the SPI bus. These bits are described in the [Table 4 on page 10](#).

**Figure 3. System Configuration Using SPI nvSRAM**



**SPI Modes**

CY14MX064Q may be driven by a microcontroller with its SPI peripheral running in either of the following two modes:

- SPI Mode 0 (CPOL = 0, CPHA = 0)
- SPI Mode 3 (CPOL = 1, CPHA = 1)

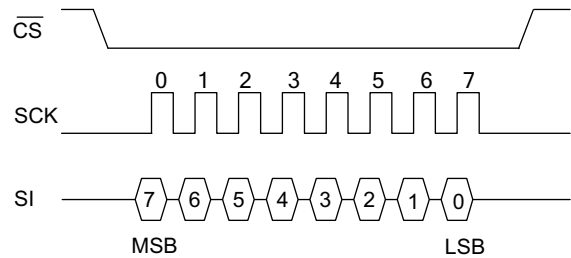
For both these modes, the input data is latched in on the rising edge of SCK starting from the first rising edge after CS goes active. If the clock starts from a HIGH state (in mode 3), the first rising edge after the clock toggles, is considered. The output data is available on the falling edge of SCK.

The two SPI modes are shown in Figure 4 and Figure 5. The status of clock when the bus master is in standby mode and not transferring data is:

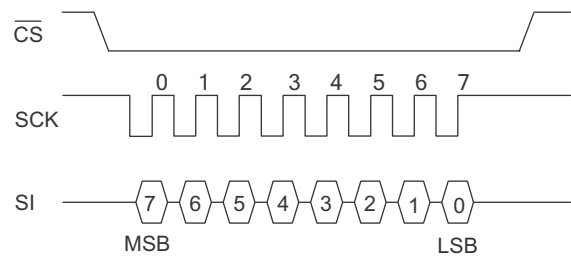
- SCK remains at 0 for Mode 0
- SCK remains at 1 for Mode 3

CPOL and CPHA bits must be set in the SPI controller for either Mode 0 or Mode 3. The device detects the SPI mode from the status of SCK pin when the device is selected by bringing the CS pin LOW. If SCK pin is LOW when the device is selected, SPI Mode 0 is assumed and if SCK pin is HIGH, it works in SPI Mode 3.

**Figure 4. SPI Mode 0**



**Figure 5. SPI Mode 3**



Not Recommended for New Designs

## SPI Operating Features

### Power-Up

Power-up is defined as the condition when the power supply is turned on and  $V_{CC}$  crosses  $V_{switch}$  voltage.

As described earlier, at power-up nvSRAM performs a Power-Up RECALL operation for  $t_{FA}$  duration during which, all memory accesses are disabled.

The following are the device status after power-up.

- Selected (Active power mode) if  $\overline{CS}$  pin is LOW
- Deselected (Standby power mode) if  $\overline{CS}$  pin is HIGH
- Not in the Hold condition
- Status Register state:
  - Write Enable (WEN) bit is reset to '0'.
  - WPEN, BP1, BP0 unchanged from previous STORE operation.

The WPEN, BP1, and BP0 bits of the Status Register are non-volatile bits and remain unchanged from the previous STORE operation.

### Power-Down

At power-down (continuous decay of  $V_{CC}$ ), when  $V_{CC}$  drops from the normal operating voltage and below the  $V_{SWITCH}$  threshold voltage, the device stops responding to any instruction sent to it. If a write cycle is in progress and the last data bit D0 has been received when the power goes down, it is allowed  $t_{DELAY}$  time to complete the write. After this, all memory accesses are inhibited and a conditional AutoStore operation is performed (AutoStore is not performed if no writes have happened since the last RECALL cycle). This feature prevents inadvertent writes to nvSRAM from happening during power-down.

However, to completely avoid the possibility of inadvertent writes during power-down, ensure that the device is deselected and is in standby power mode, and the  $\overline{CS}$  follows the voltage applied on  $V_{CC}$ .

### Active Power and Standby Power Modes

When  $\overline{CS}$  is LOW, the device is selected and is in the active power mode. The device consumes  $I_{CC}$  current, as specified in [DC Electrical Characteristics on page 18](#). When  $\overline{CS}$  is HIGH, the device is deselected and the device goes into the standby power mode after  $t_{SB}$  time if a STORE or RECALL cycle is not in progress. If a STORE/RECALL cycle is in progress, the device goes into the standby power mode after the STORE or RECALL cycle is completed. In the standby power mode, the current drawn by the device drops to  $I_{SB}$ .



## SPI Functional Description

The CY14MX064Q uses an 8-bit instruction register. Instructions and their opcodes are listed in Table 2. All instructions, addresses, and data are transferred with the MSB first and start

with a HIGH to LOW  $\overline{CS}$  transition. There are, in all, 14 SPI instructions which provide access to most of the functions in nvSRAM. Further, the WP, and HOLD pins provide additional functionality driven through hardware.

**Table 2. Instruction Set**

Instruction Category	Instruction Name	Opcode	Operation
<b>Status Register Control Instructions</b>			
Status Register access	RDSR	0000 0101	Read Status Register
	WRSR	0000 0001	Write Status Register
Write protection and block protection	WREN	0000 0110	Set write enable latch
	WRDI	0000 0100	Reset write enable latch
<b>SRAM Read/Write Instructions</b>			
Memory access	READ	0000 0011	Read data from memory array
	WRITE	0000 0010	Write data to memory array
<b>Special NV Instructions</b>			
nvSRAM special functions	STORE	0011 1100	Software STORE
	RECALL	0110 0000	Software RECALL
	ASENB	0101 1001	AutoStore Enable
	ASDISB	0001 1001	AutoStore Disable
<b>Special Instructions</b>			
Sleep	SLEEP	1011 1001	Sleep mode enable
Serial number	WRSN	1100 0010	Write serial number
	RDSN	1100 0011	Read serial number
Device ID read	RDID	1001 1111	Read manufacturer JEDEC ID and product ID
<b>Reserved Instructions</b>			
Reserved	- Reserved -	0001 1110	
		0000 1001	
		0000 1011	
		1100 1001	
		1001 1001	

The SPI instructions are divided based on their functionality in the following types:

- Status Register control instructions:
  - Status Register access: RDSR and WRSR instructions
  - Write protection and block protection: WREN and WRDI instructions along with WP pin and WEN, BP0, and BP1 bits
- SRAM read/write instructions
  - Memory access: READ and WRITE instructions
- Special NV instructions
  - nvSRAM special instructions: STORE, RECALL, ASENB, and ASDISB
- Special instructions
  - SLEEP, WRSN, RDSN, RDID

Not Recommended for New Designs

## Status Register

The Status Register bits are listed in Table 3. The Status Register consists of a Ready bit ( $\overline{\text{RDY}}$ ) and data protection bits BP1, BP0, WEN, and WPEN. The  $\overline{\text{RDY}}$  bit can be polled to check the Ready or Busy status while a nvSRAM STORE or Software RECALL cycle is in progress. The Status Register can be modified by WRSR instruction and read by RDSR instruction. However, only the WPEN, BP1, and BP0 bits of the Status Register can be modified by using the WRSR instruction. The WRSR instruction has no effect on WEN and  $\overline{\text{RDY}}$  bits. The default value shipped

from the factory for WEN, BP0, BP1, bits 4–5, SNL and WPEN is '0'.

SNL (bit 6) of the Status Register is used to lock the serial number written using the WRSN instruction. The serial number can be written using the WRSN instruction multiple times while this bit is still '0'. When set to '1', this bit prevents any modification to the serial number. This bit is factory programmed to '0' and can only be written to once. After this bit is set to '1', it can never be cleared to '0'.

**Table 3. Status Register Format**

Bit 7	Bit 6	Bit 5	Bit 4	Bit 3	Bit 2	Bit 1	Bit 0
WPEN (0)	SNL (0)	X (0)	X (0)	BP1 (0)	BP0 (0)	WEN (0)	$\overline{\text{RDY}}$

**Table 4. Status Register Bit Definition**

Bit	Definition	Description
Bit 0 ( $\overline{\text{RDY}}$ )	Ready	Read only bit indicates the ready status of device to perform a memory access. This bit is set to '1' by the device while a STORE or Software RECALL cycle is in progress.
Bit 1 (WEN)	Write Enable	WEN indicates if the device is write enabled. This bit defaults to '0' (disabled) on power-up. WEN = '1' --> Write enabled WEN = '0' --> Write disabled
Bit 2 (BP0)	Block Protect bit '0'	Used for block protection. For details see Table 5 on page 12.
Bit 3 (BP1)	Block Protect bit '1'	Used for block protection. For details see Table 5 on page 12.
Bit 4–5	Don't care	These bits are non-writable and always return '0' upon read.
Bit 6 (SNL)	Serial Number Lock	Set to '1' for locking serial number
Bit 7 (WPEN)	Write Protect Enable bit	Used for enabling the function of Write Protect Pin ( $\overline{\text{WP}}$ ). For details see Table 6 on page 12.

### Read Status Register (RDSR) Instruction

The Read Status Register instruction provides access to the Status Register. This instruction is used to probe the Write Enable status of the device or the Ready status of the device.  $\overline{\text{RDY}}$  bit is set by the device to 1 whenever a STORE or Software RECALL cycle is in progress. The block protection and WPEN bits indicate the extent of protection employed.

This instruction is issued after the falling edge of  $\overline{\text{CS}}$  using the opcode for RDSR.

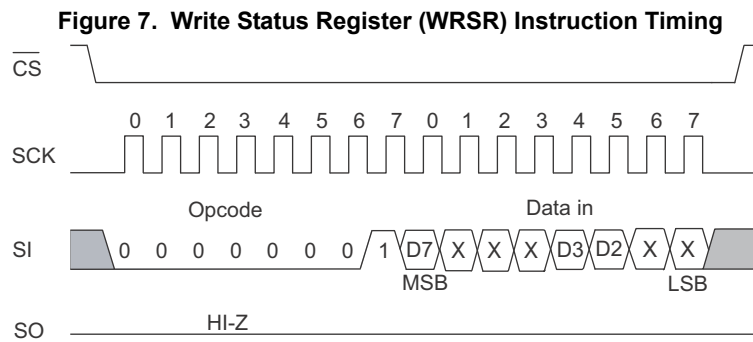
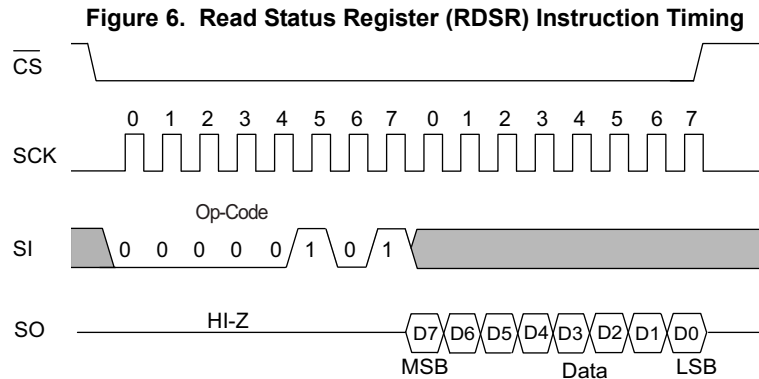
### Write Status Register (WRSR) Instruction

The WRSR instruction enables the user to write to the Status Register. However, this instruction cannot be used to modify bit 0 ( $\overline{\text{RDY}}$ ), bit 1 (WEN) and bits 4–5. The BP0 and BP1 bits can be used to select one of four levels of block protection. Further, WPEN bit must be set to '1' to enable the use of Write Protect ( $\overline{\text{WP}}$ ) pin.

WRSR instruction is a write instruction and needs writes to be enabled (WEN bit set to '1') using the WREN instruction before it is issued. The instruction is issued after the falling edge of  $\overline{\text{CS}}$  using the opcode for WRSR followed by eight bits of data to be stored in the Status Register. WRSR instruction can be used to modify only bits 2, 3, 6 and 7 of the Status Register.

**Note** In CY14MX064Q, the values written to Status Register are saved to nonvolatile memory only after a STORE operation. If AutoStore is disabled (or while using CY14MX064Q1B), any modifications to the Status Register must be secured by performing a Software STORE operation.

**Note** CY14MX064Q2B does not have  $\overline{\text{WP}}$  pin. Any modification to bit 7 of the Status Register has no effect on the functionality of CY14MX064Q2B.



## Write Protection and Block Protection

CY14MX064Q provides features for both software and hardware write protection using WRDI instruction and WP. Additionally, this device also provides block protection mechanism through BPO and BP1 pins of the Status Register.

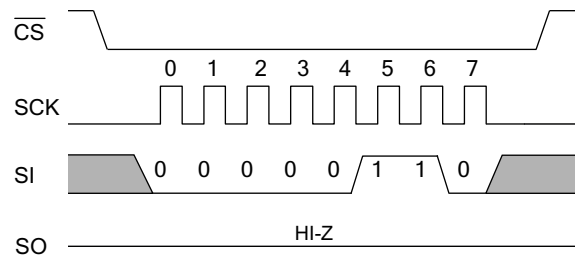
The write enable and disable status of the device is indicated by WEN bit of the Status Register. The write instructions (WRSR, WRITE and WRSN) and nvSRAM special instruction (STORE, RECALL, ASENB and ASDISB) need the write to be enabled (WEN bit = '1') before they can be issued.

### Write Enable (WREN) Instruction

On power-up, the device is always in the write disable state. The following WRITE, WRSR, WRSN, or nvSRAM special instruction must therefore be preceded by a Write Enable instruction. If the device is not write enabled (WEN = '0'), it ignores the write instructions and returns to the standby state when  $\overline{CS}$  is brought HIGH. A new  $\overline{CS}$  falling edge is required to re-initiate serial communication. The instruction is issued following the falling edge of  $\overline{CS}$ . When this instruction is used, the WEN bit of Status Register is set to '1'. WEN bit defaults to '0' on power-up.

**Note** After completion of a write instruction (WRSR, WRITE, WRSN) or nvSRAM special instruction (STORE, RECALL, ASENB, and ASDISB) instruction, WEN bit is cleared to '0'. This is done to provide protection from any inadvertent writes. Therefore, WREN instruction needs to be used before a new write instruction is issued.

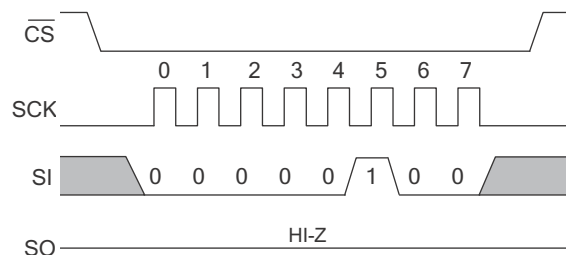
**Figure 8. WREN Instruction**



### Write Disable (WRDI) Instruction

Write Disable instruction disables the write by clearing the WEN bit to '0' in order to protect the device against inadvertent writes. This instruction is issued following the falling edge of  $\overline{CS}$  followed by opcode for WRDI instruction. The WEN bit is cleared on the rising edge of  $\overline{CS}$  following a WRDI instruction.

**Figure 9. WRDI Instruction**



## Block Protection

Block protection is provided using the BP0 and BP1 pins of the Status Register. These bits can be set using WRSR instruction and probed using the RDSR instruction. The nvSRAM is divided into four array segments. One-quarter, one-half, or all of the memory segments can be protected. Any data within the protected segment is read only. Table 5 shows the function of Block Protect bits.

**Table 5. Block Write Protect Bits**

Level	Status Register Bits		Array Addresses Protected
	BP1	BP0	
0	0	0	None
1 (1/4)	0	1	0x1800–0x1FFF
2 (1/2)	1	0	0x1000–0x1FFF
3 (All)	1	1	0x0000–0x1FFF

## Hardware Write Protection ( $\overline{WP}$ )

The write protect pin ( $\overline{WP}$ ) is used to provide hardware write protection.  $\overline{WP}$  pin enables all normal read and write operations when held HIGH. When the  $\overline{WP}$  pin is brought LOW and WPEN bit is '1', all write operations to the Status Register are inhibited. The hardware write protection function is blocked when the WPEN bit is '0'. This allows you to install the device in a system with the  $\overline{WP}$  pin tied to ground, and still write to the Status Register.

$\overline{WP}$  pin can be used along with WPEN and Block Protect bits (BP1 and BP0) of the Status Register to inhibit writes to memory. When  $\overline{WP}$  pin is LOW and WPEN is set to '1', any modifications to the Status Register are disabled. Therefore, the memory is protected by setting the BP0 and BP1 bits and the  $\overline{WP}$  pin inhibits any modification of the Status Register bits, providing hardware write protection.

**Note**  $\overline{WP}$  going LOW when  $\overline{CS}$  is still LOW has no effect on any of the ongoing write operations to the Status Register.

**Note** CY14MX064Q2B does not have  $\overline{WP}$  pin and therefore does not provide hardware write protection.

Table 6 summarizes all the protection features of this device.

**Table 6. Write Protection Operation**

WPEN	$\overline{WP}$	WEN	Protected Blocks	Unprotected Blocks	Status Register
X	X	0	Protected	Protected	Protected
0	X	1	Protected	Writable	Writable
1	LOW	1	Protected	Writable	Protected
1	HIGH	1	Protected	Writable	Writable

## Memory Access

All memory accesses are done using the READ and WRITE instructions. These instructions cannot be used while a STORE or RECALL cycle is in progress. A STORE cycle in progress is indicated by the RDY bit of the Status Register.

### Read Sequence (READ) Instruction

The read operations on this device are performed by giving the instruction on the SI pin and reading the output on SO pin. The following sequence needs to be followed for a read operation: After the CS line is pulled LOW to select a device, the read opcode is transmitted through the SI line followed by two bytes of address (A12–A0). The most significant address bits (A15–A13) are don't cares. After the last address bit is transmitted on the SI pin, the data (D7–D0) at the specific address is shifted out on the SO line on the falling edge of SCK starting with D7. Any other data on SI line after the last address bit is ignored.

CY14MX064Q allows reads to be performed in bursts through SPI which can be used to read consecutive addresses without issuing a new READ instruction. If only one byte is to be read, the CS line must be driven HIGH after one byte of data comes out. However, the read sequence may be continued by holding the CS line LOW and the address is automatically incremented and data continues to shift out on SO pin. When the last data memory address (0x1FFF) is reached, the address rolls over to 0x0000 and the device continues to read.

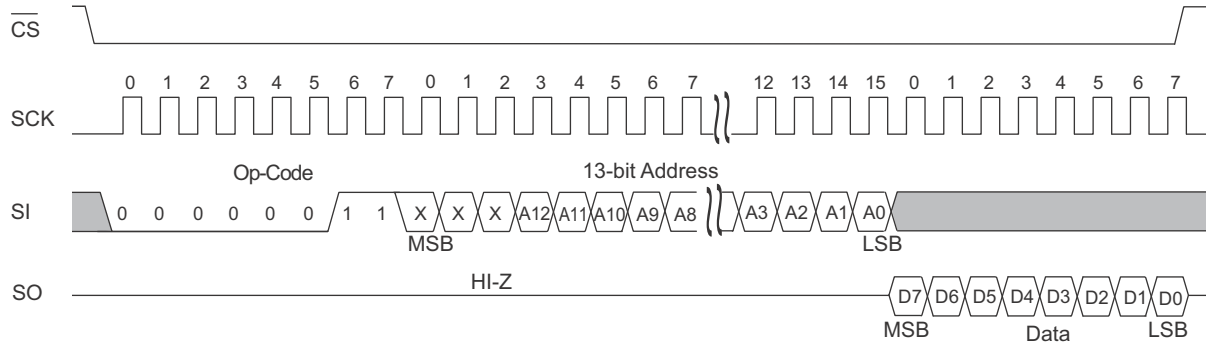
### Write Sequence (WRITE) Instruction

The write operations on this device are performed through the SI pin. To perform a write operation, if the device is write disabled, then the device must first be write enabled through the WREN instruction. When the writes are enabled ( $WEN \equiv '1'$ ), WRITE instruction is issued after the falling edge of  $\overline{CS}$ . A WRITE instruction constitutes transmitting the WRITE opcode on SI line followed by two bytes of address (A12–A0) and the data (D7–D0) which is to be written. The most significant address bits (A15–A13) are don't cares.

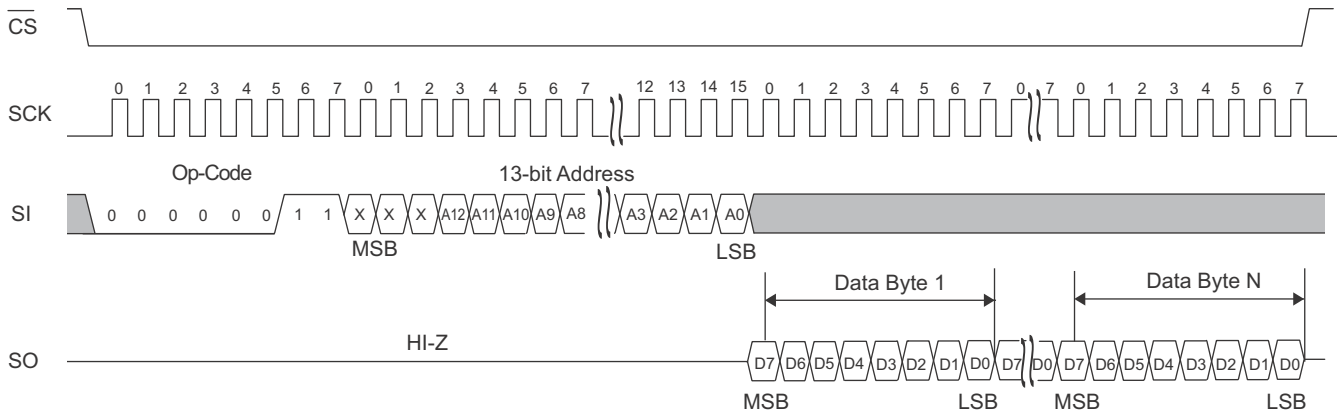
CY14MX064Q enables writes to be performed in bursts through SPI which can be used to write consecutive addresses without issuing a new WRITE instruction. If only one byte is to be written, the  $\overline{CS}$  line must be driven HIGH after the D0 (LSB of data) is transmitted. However, if more bytes are to be written,  $\overline{CS}$  line must be held LOW and address is incremented automatically. The following bytes on the SI line are treated as data bytes and written in the successive addresses. When the last data memory address (0x1FFF) is reached, the address rolls over to 0x0000 and the device continues to write. The WEN bit is reset to '0' on completion of a WRITE sequence.

**Note** When a burst write reaches a protected block address, it continues the address increment into the protected space but does not write any data to the protected memory. If the address roll over takes the burst write to unprotected space, it resumes writes. The same operation is true if a burst write is initiated within a write protected block.

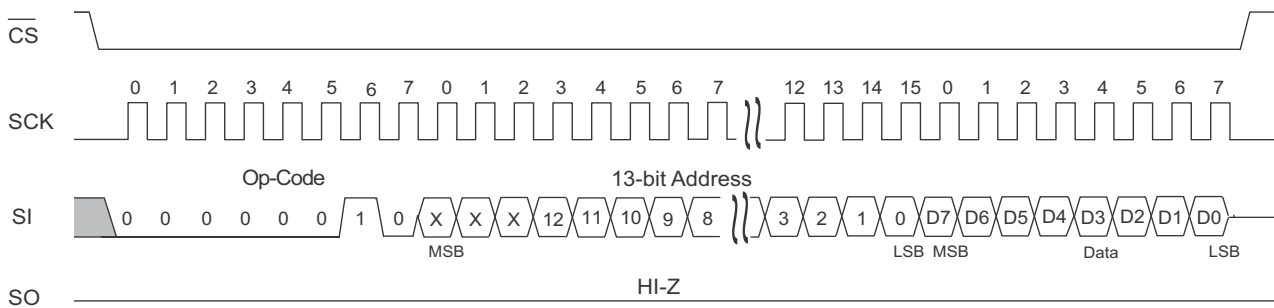
**Figure 10. Read Instruction Timing**



**Figure 11. Burst Mode Read Instruction Timing**

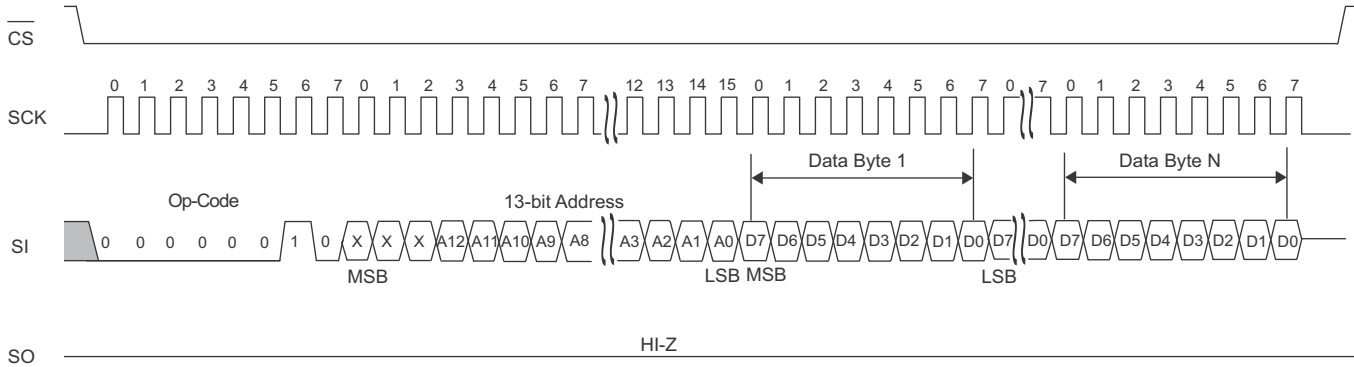


**Figure 12. Write Instruction Timing**



Not Recommended for New Designs

**Figure 13. Burst Mode Write Instruction Timing**



**nvSRAM Special Instructions**

CY14MX064Q provides four special instructions which enables access to the nvSRAM specific functions: STORE, RECALL, ASDISB, and ASENB. Table 7 lists these instructions.

**Table 7. nvSRAM Special Instructions**

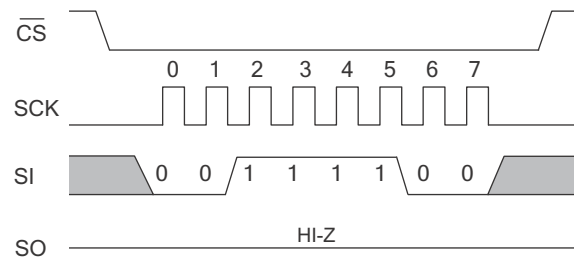
Function Name	Opcode	Operation
STORE	0011 1100	Software STORE
RECALL	0110 0000	Software RECALL
ASENB	0101 1001	AutoStore Enable
ASDISB	0001 1001	AutoStore Disable

**Software STORE (STORE) Instruction**

When a STORE instruction is executed, nvSRAM performs a Software STORE operation. The STORE operation is performed irrespective of whether a write has taken place since the last STORE or RECALL operation.

To issue this instruction, the device must be write enabled (WEN bit = '1'). The instruction is performed by transmitting the STORE opcode on the SI pin following the falling edge of CS. The WEN bit is cleared on the positive edge of CS following the STORE instruction.

**Figure 14. Software STORE Operation**

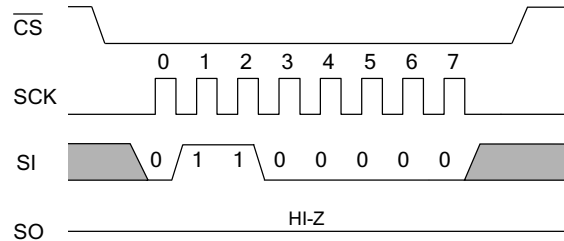


**Software RECALL (RECALL) Instruction**

When a RECALL instruction is executed, nvSRAM performs a Software RECALL operation. To issue this instruction, the device must be write enabled (WEN = '1').

The instruction is performed by transmitting the RECALL opcode on the SI pin following the falling edge of CS. The WEN bit is cleared on the positive edge of CS following the RECALL instruction.

**Figure 15. Software RECALL Operation**



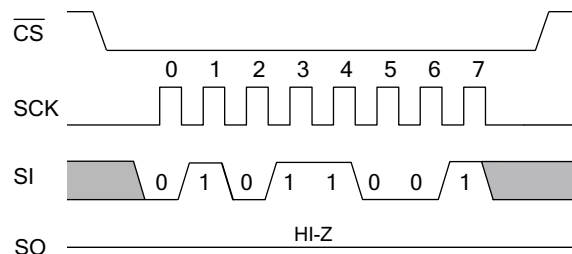
**AutoStore Enable (ASENB) Instruction**

The AutoStore Enable instruction enables the AutoStore on CY14MX064Q2B. This setting is not nonvolatile and needs to be followed by a STORE sequence to survive the power cycle.

To issue this instruction, the device must be write enabled (WEN = '1'). The instruction is performed by transmitting the ASENB opcode on the SI pin following the falling edge of CS. The WEN bit is cleared on the positive edge of CS following the ASENB instruction.

**Note** If ASDISB and ASENB instructions are executed in CY14MX064Q2B, the device is busy for the duration of software sequence processing time (t<sub>SS</sub>). However, ASDISB and ASENB instructions have no effect on CY14MX064Q1B as AutoStore is internally disabled.

**Figure 16. AutoStore Enable Operation**



Not Recommended for New Designs

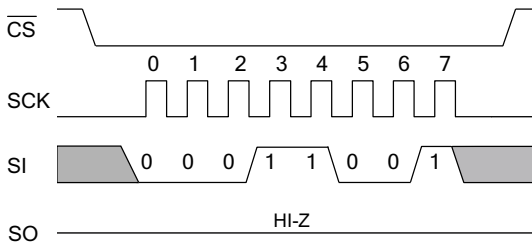


**AutoStore Disable (ASDISB) Instruction**

AutoStore is enabled by default in CY14MX064Q2B. The ASDISB instruction disables the AutoStore. This setting is not nonvolatile and needs to be followed by a STORE sequence to survive the power cycle.

To issue this instruction, the device must be write enabled (WEN = '1'). The instruction is performed by transmitting the ASDISB opcode on the SI pin following the falling edge of CS. The WEN bit is cleared on the positive edge of CS following the ASDISB instruction.

**Figure 17. AutoStore Disable Operation**



**Special Instructions**

**SLEEP Instruction**

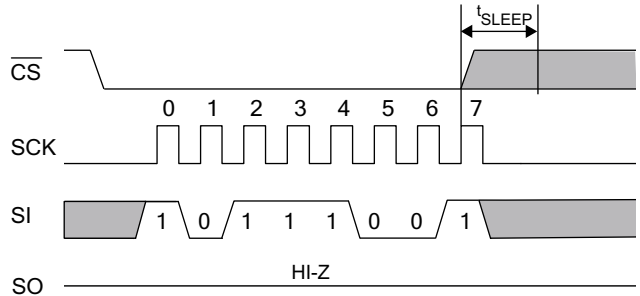
SLEEP instruction puts the nvSRAM in sleep mode. When the SLEEP instruction is issued, the nvSRAM takes  $t_{SS}$  time to process the SLEEP request. Once the SLEEP command is successfully registered and processed, the nvSRAM performs a STORE operation to secure the data to nonvolatile memory and then enters into SLEEP mode. The device starts consuming  $I_{ZZ}$  current after  $t_{SLEEP}$  time from the instance when SLEEP instruction is registered. The device is not accessible for normal operations after SLEEP instruction is issued. Once in sleep mode, the SCK and SI pins are ignored and SO will be Hi-Z but device continues to monitor the CS pin.

To wake the nvSRAM from the sleep mode, the device must be selected by toggling the CS pin from HIGH to LOW. The device wakes up and is accessible for normal operations after  $t_{WAKE}$  duration after a falling edge of CS pin is detected.

**Note** Whenever nvSRAM enters into sleep mode, it initiates nonvolatile STORE cycle which results in an endurance cycle per sleep command execution. A STORE cycle starts only if a write

to the SRAM has been performed since the last STORE or RECALL cycle.

**Figure 18. Sleep Mode Entry**



**Serial Number**

The serial number is an 8 byte programmable memory space provided to you uniquely identify this device. It typically consists of a two byte Customer ID, followed by five bytes of unique serial number and one byte of CRC check. However, nvSRAM does not calculate the CRC and it is up to the system designer to utilize the eight byte memory space in whatever manner desired. The default value for eight byte locations are set to '0x00'.

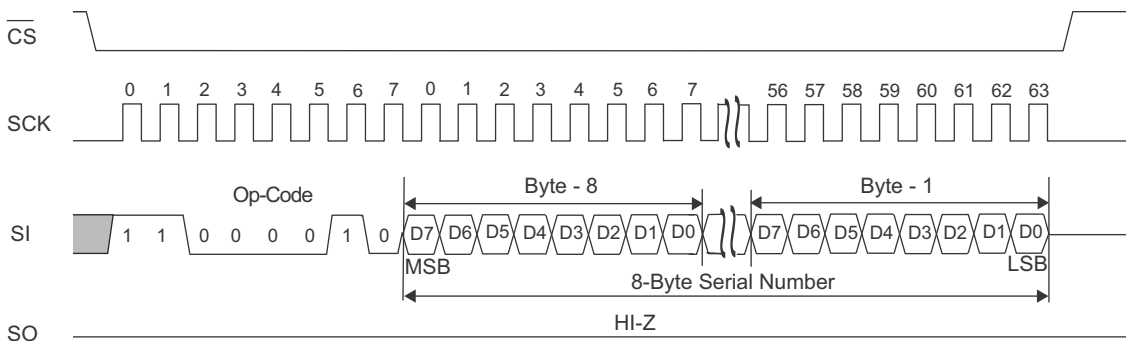
**WRSN (Serial Number Write) Instruction**

The serial number can be written using the WRSN instruction. To write serial number the write must be enabled using the WREN instruction. The WRSN instruction can be used in burst mode to write all the 8 bytes of serial number.

The serial number is locked using the SNL bit of the Status Register. Once this bit is set to '1', no modification to the serial number is possible. After the SNL bit is set to '1', using the WRSN instruction has no effect on the serial number.

A STORE operation (AutoStore or Software STORE) is required to store the serial number in nonvolatile memory. If AutoStore is disabled, you must perform a Software STORE operation to secure and lock the serial Number. If SNL bit is set to '1' and is not stored (AutoStore disabled), the SNL bit and serial number defaults to '0' at the next power cycle. If SNL bit is set to '1' and is stored, the SNL bit can never be cleared to '0'. This instruction requires the WEN bit to be set before it can be executed. The WEN bit is reset to '0' after completion of this instruction.

**Figure 19. WRSN Instruction**

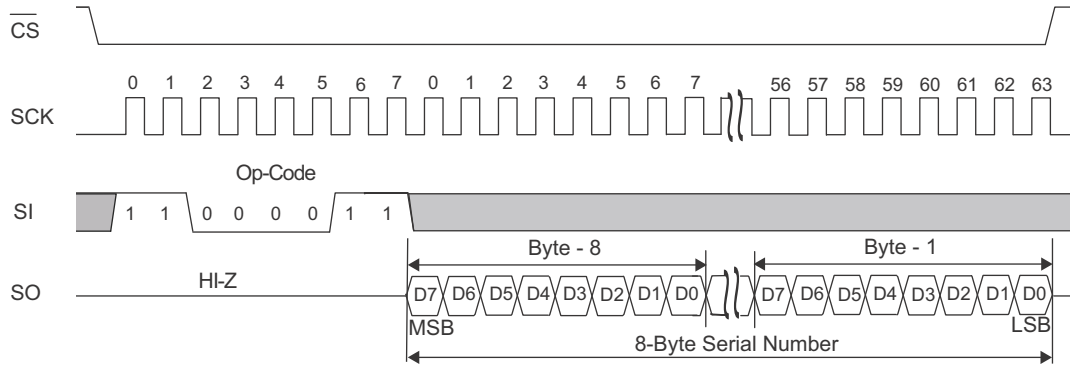


**RDSN (Serial Number Read) Instruction**

The serial number is read using RDSN instruction. A serial number read may be performed in burst mode to read all the eight bytes at once. After the last byte of serial number is read,

the device does not loop back. RDSN instruction can be issued by shifting the op-code for RDSN in through the SI pin of nvSRAM after CS goes LOW. This is followed by nvSRAM shifting out the eight bytes of serial number through the SO pin.

**Figure 20. RDSN Instruction**



**Device ID**

Device ID is 4-byte read only code identifying a type of product uniquely. This includes the product family code, configuration and density of the product.

**Table 8. Device ID**

Device	Device ID (4 bytes)	Device ID description			
		31–21 (11 bits)	20–7 (14 bits)	6–3 (4 bits)	2–0 (3 bits)
		Manufacture ID	Product ID	Density ID	Die Rev
CY14MB064Q1B	0x06810889	00000110100	00001000010001	0001	001
CY14MB064Q2B	0x06818809	00000110100	00001100010000	0001	001
CY14ME064Q1B	0x06811089	00000110100	00001000100001	0001	001
CY14ME064Q2B	0x06819009	00000110100	00001100100000	0001	001

The device ID is divided into four parts as shown in [Table 8](#):

1. Manufacturer ID (11 bits)

This is the JEDEC assigned manufacturer ID for Cypress. JEDEC assigns the manufacturer ID in different banks. The first three bits of the manufacturer ID represent the bank in which ID is assigned. The next eight bits represent the manufacturer ID.

Cypress's manufacturer ID is 0x34 in bank 0. Therefore the manufacturer ID for all Cypress nvSRAM products is:

Cypress ID - 000\_0011\_0100

2. Product ID (14 bits)

The product ID is defined as shown in the [Table 8](#).

3. Density ID (4 bits)

The 4 bit density ID is used as shown in [Table 8](#) for indicating the 64 Kb density of the product.

4. Die Rev (3 bits)

This is used to represent any major change in the design of the product.

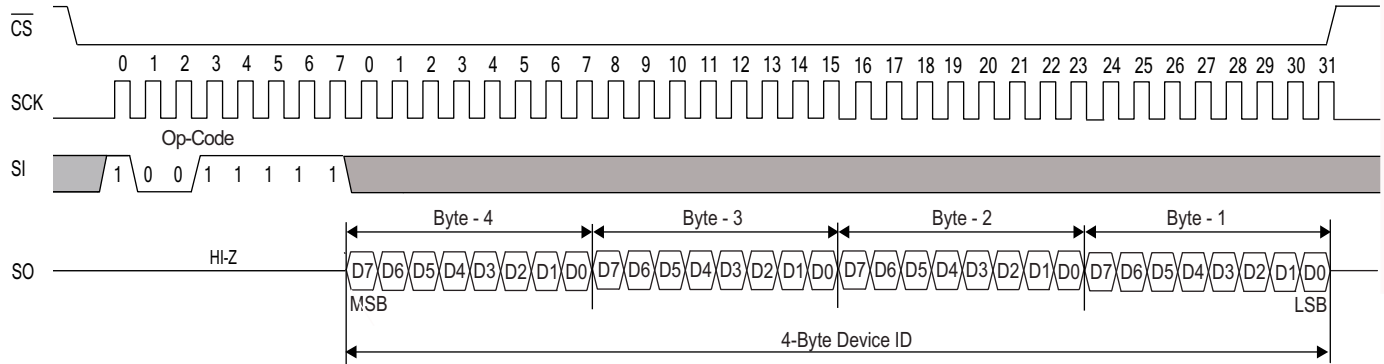
The die rev is defined as shown in the [Table 8](#).

**RDID (Device ID Read) Instruction**

This instruction is used to read the JEDEC assigned manufacturer ID and product ID of the device. This instruction

can be used to identify a device on the bus. RDID instruction can be issued by shifting the op-code for RDID in through the SI pin of nvSRAM after CS goes LOW. This is followed by nvSRAM shifting out the four bytes of device ID through the SO pin.

**Figure 21. RDID instruction**

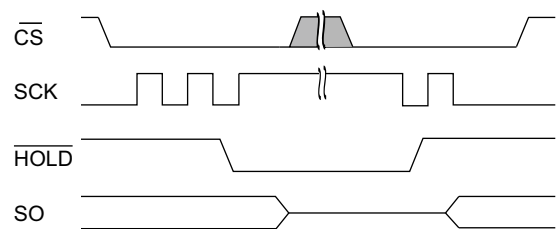


**HOLD Pin Operation**

The HOLD pin is used to pause the serial communication. When the device is selected and a serial sequence is underway, HOLD is used to pause the serial communication with the master device without resetting the ongoing serial sequence. To pause, the HOLD pin must be brought LOW when the SCK pin is LOW. To resume serial communication, the HOLD pin must be brought HIGH when the SCK pin is LOW (SCK may toggle during HOLD). While the device serial communication is paused, inputs to the SI pin are ignored and the SO pin is in the high impedance state.

This pin can be used by the master with the CS pin to pause the serial communication by bringing the pin HOLD LOW and deselecting an SPI slave to establish communication with another slave device, without the serial communication being reset. The communication may be resumed at a later point by selecting the device and setting the HOLD pin HIGH.

**Figure 22. HOLD Operation**



Not Recommended for New Designs

## Maximum Ratings

Exceeding maximum ratings may shorten the useful life of the device. These user guidelines are not tested.

Storage temperature	-65 °C to +150 °C
Maximum accumulated storage time	
At 150 °C ambient temperature	1000 h
At 85 °C ambient temperature	20 Years
Maximum junction temperature	150 °C
Supply voltage on V <sub>CC</sub> relative to V <sub>SS</sub>	
CY14MB064Q: V <sub>CC</sub> = 2.7 V to 3.6 V	-0.5 V to +4.1 V
CY14ME064Q: V <sub>CC</sub> = 4.5 V to 5.5 V	-0.5 V to +7.0 V
DC voltage applied to outputs in High Z state	-0.5 V to V <sub>CC</sub> + 0.5 V
Input voltage	-0.5 V to V <sub>CC</sub> + 0.5 V

Transient voltage (< 20 ns) on any pin to ground potential	-2.0 V to V <sub>CC</sub> + 2.0 V
Package power dissipation capability (T <sub>A</sub> = 25 °C)	1.0 W
Surface mount lead soldering temperature (3 seconds)	+260 °C
DC output current (1 output at a time, 1s duration)	15 mA
Static discharge voltage (per MIL-STD-883, Method 3015)	> 2001 V
Latch-up current	> 140 mA

## Operating Range

Device	Range	Ambient Temperature	V <sub>CC</sub>
CY14MB064Q	Industrial	-40 °C to +85 °C	2.7 V to 3.6 V
CY14ME064Q			4.5 V to 5.5 V

## DC Electrical Characteristics

Over the [Operating Range](#)

Parameter	Description	Test Conditions	Min	Typ <sup>[3]</sup>	Max	Unit	
V <sub>CC</sub>	Power supply	CY14MB064Q	2.7	3.0	3.6	V	
		CY14ME064Q	4.5	5.0	5.5	V	
I <sub>CC1</sub>	Average V <sub>CC</sub> current	f <sub>SCK</sub> = 40 MHz; Values obtained without output loads (I <sub>OUT</sub> = 0 mA)	CY14MB064Q	-	-	3	mA
			CY14ME064Q	-	-	4	mA
I <sub>CC2</sub>	Average V <sub>CC</sub> current during STORE	All inputs don't care, V <sub>CC</sub> = Max Average current for duration t <sub>STORE</sub>	-	-	3	mA	
I <sub>CC3</sub>	Average V <sub>CC</sub> current, f <sub>SCK</sub> = 1 MHz, V <sub>CC</sub> = V <sub>CC(Typ)</sub> ; 25 °C	All inputs cycling at CMOS levels. Values obtained without output loads (I <sub>OUT</sub> = 0 mA)	-	-	1	mA	
I <sub>CC4</sub>	Average V <sub>CAP</sub> current during AutoStore cycle	All inputs don't care. Average current for duration t <sub>STORE</sub>	-	-	3	mA	
I <sub>SB</sub>	V <sub>CC</sub> standby current	CS ≥ (V <sub>CC</sub> - 0.2 V). V <sub>IN</sub> ≤ 0.2 V or ≥ (V <sub>CC</sub> - 0.2 V). Standby current level after nonvolatile cycle is complete. Inputs are static. f <sub>SCK</sub> = 0 MHz.	CY14MB064Q	-	-	120	μA
			CY14ME064Q	-	-	150	μA
I <sub>ZZ</sub>	Sleep mode current	t <sub>SLEEP</sub> time after SLEEP Instruction is registered. All inputs are static and configured at CMOS logic level.	-	-	8	μA	

### Note

3. Typical values are at 25 °C, V<sub>CC</sub> = V<sub>CC(Typ)</sub>. Not 100% tested.

## DC Electrical Characteristics (continued)

Over the [Operating Range](#)

Parameter	Description	Test Conditions	Min	Typ <sup>[3]</sup>	Max	Unit	
$I_{IX}$	Input leakage current		-1	-	+1	$\mu\text{A}$	
$I_{OZ}$	Off-state output leakage current		-1	-	+1	$\mu\text{A}$	
$V_{IH}$	Input HIGH voltage		2.0	-	$V_{CC} + 0.5$	V	
$V_{IL}$	Input LOW voltage		$V_{SS} - 0.5$	-	0.8	V	
$V_{OH}$	Output HIGH Voltage	$I_{OUT} = -2 \text{ mA}$	CY14MB064Q	2.4	-	-	V
			CY14ME064Q	$V_{CC} - 0.4$	-	-	
$V_{OL}$	Output LOW voltage	$I_{OUT} = 4 \text{ mA}$	-	-	0.4	V	
$V_{CAP}^{[4]}$	Storage capacitor	Between $V_{CAP}$ pin and $V_{SS}$	42	47	180	$\mu\text{F}$	
$V_{VCAP}^{[5, 6]}$	Maximum voltage driven on $V_{CAP}$ pin by the device	$V_{CC} = \text{Max}$	CY14MB064Q	-	-	$V_{CC}$	V
			CY14ME064Q	-	-	$V_{CC} - 0.5$	

### Notes

- Min  $V_{CAP}$  value guarantees that there is a sufficient charge available to complete a successful AutoStore operation. Max  $V_{CAP}$  value guarantees that the capacitor on  $V_{CAP}$  is charged to a minimum voltage during a Power-Up RECALL cycle so that an immediate power-down cycle can complete a successful AutoStore. Therefore it is always recommended to use a capacitor within the specified min and max limits. Refer application note [AN43593](#) for more details on  $V_{CAP}$  options.
- Maximum voltage on  $V_{CAP}$  pin ( $V_{VCAP}$ ) is provided for guidance when choosing the  $V_{CAP}$  capacitor. The voltage rating of the  $V_{CAP}$  capacitor across the operating temperature range should be higher than the  $V_{VCAP}$  voltage.
- These parameters are guaranteed by design and are not tested.

## Data Retention and Endurance

Over the [Operating Range](#)

Parameter	Description	Min	Unit
DATA <sub>R</sub>	Data retention	20	Years
NV <sub>C</sub>	Nonvolatile STORE operations	1,000	K

## Capacitance

Parameter <sup>[7]</sup>	Description	Test Conditions	Max	Unit
C <sub>IN</sub>	Input capacitance	T <sub>A</sub> = 25 °C, f = 1 MHz, V <sub>CC</sub> = V <sub>CC(Typ)</sub>	7	pF
C <sub>OUT</sub>	Output pin capacitance		7	pF

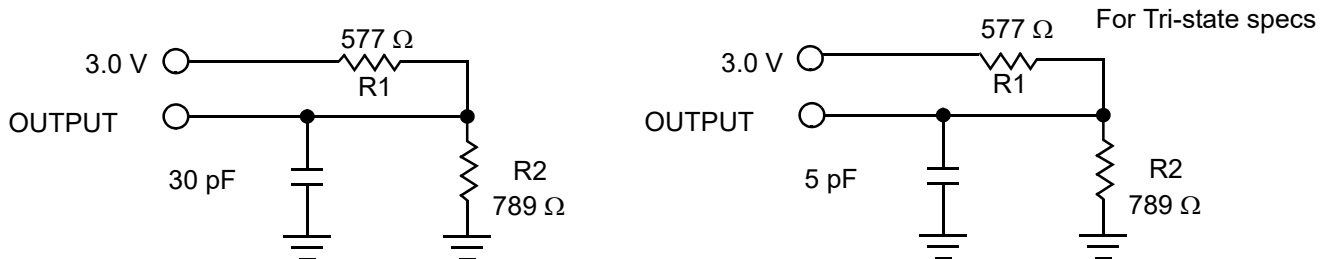
## Thermal Resistance

Parameter <sup>[7]</sup>	Description	Test Conditions	8-pin SOIC	Unit
Θ <sub>JA</sub>	Thermal resistance (junction to ambient)	Test conditions follow standard test methods and procedures for measuring thermal impedance, per EIA/JESD51.	101.08	°C/W
Θ <sub>JC</sub>	Thermal resistance (junction to case)		37.86	°C/W

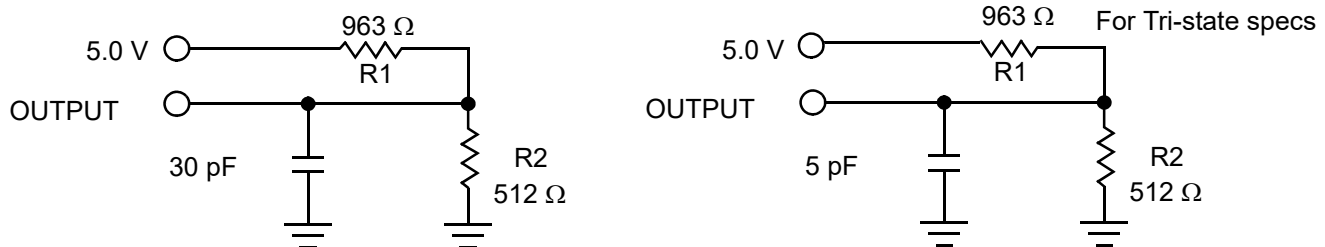
## AC Test Loads and Waveforms

Figure 23. AC Test Loads and Waveforms

For 3 V (CY14MB064Q1B/CY14MB064Q2B):



For 5 V (CY14ME064Q1B/CY14ME064Q2B):



## AC Test Conditions

Input pulse levels..... 0 V to 3 V  
 Input rise and fall times (10% to 90%)..... < 3 ns  
 Input and output timing reference levels..... 1.5 V

**Note**

7. These parameters are guaranteed by design and are not tested.



## AC Switching Characteristics

Over the [Operating Range](#)

Parameters <sup>[8]</sup>		Description	40 MHz		Unit
Cypress Parameter	Alt. Parameter		Min	Max	
f <sub>SCK</sub>	f <sub>SCK</sub>	Clock frequency, SCK	–	40	MHz
t <sub>CL</sub> <sup>[9]</sup>	t <sub>WL</sub>	Clock pulse width LOW	11	–	ns
t <sub>CH</sub> <sup>[9]</sup>	t <sub>WH</sub>	Clock pulse width HIGH	11	–	ns
t <sub>CS</sub>	t <sub>CE</sub>	$\overline{\text{CS}}$ HIGH time	20	–	ns
t <sub>CSS</sub>	t <sub>CES</sub>	$\overline{\text{CS}}$ setup time	10	–	ns
t <sub>CSH</sub>	t <sub>CEH</sub>	$\overline{\text{CS}}$ hold time	10	–	ns
t <sub>SD</sub>	t <sub>SU</sub>	Data in setup time	5	–	ns
t <sub>HD</sub>	t <sub>H</sub>	Data in hold time	5	–	ns
t <sub>HH</sub>	t <sub>HD</sub>	$\overline{\text{HOLD}}$ hold time	5	–	ns
t <sub>SH</sub>	t <sub>CD</sub>	$\overline{\text{HOLD}}$ setup time	5	–	ns
t <sub>CO</sub>	t <sub>V</sub>	Output Valid	–	9	ns
t <sub>HHZ</sub> <sup>[9]</sup>	t <sub>HZ</sub>	$\overline{\text{HOLD}}$ to output HIGH Z	–	15	ns
t <sub>HLZ</sub> <sup>[9]</sup>	t <sub>LZ</sub>	$\overline{\text{HOLD}}$ to output LOW Z	–	15	ns
t <sub>OH</sub>	t <sub>HO</sub>	Output hold time	0	–	ns
t <sub>HZCS</sub> <sup>[9]</sup>	t <sub>DIS</sub>	Output disable time	–	20	ns

Not Recommended for New Designs

### Notes

8. Test conditions assume signal transition time of 3 ns or less, timing reference levels of  $V_{CC}/2$ , input pulse levels of 0 to  $V_{CC(\text{typ})}$ , and output loading of the specified  $I_{OL}/I_{OH}$  and load capacitance shown in [Figure 23](#).
9. These parameters are guaranteed by design and are not tested.

### Switching Waveforms

Figure 24. Synchronous Data Timing (Mode 0)

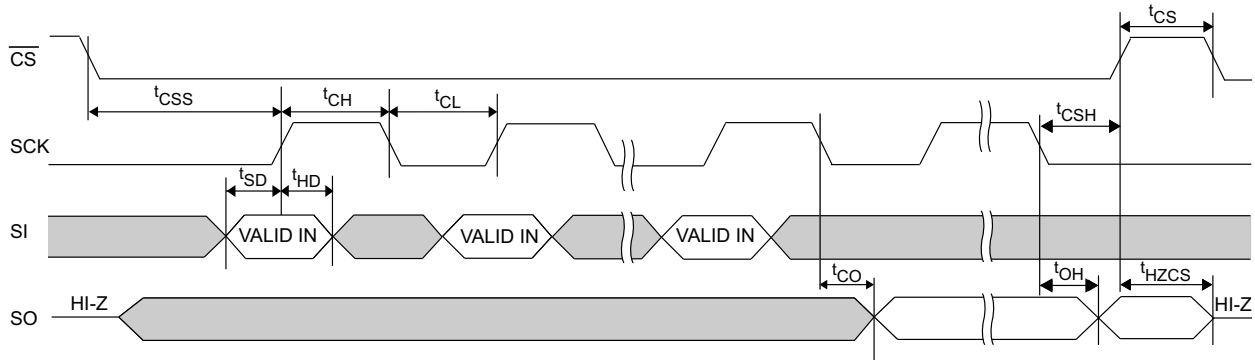
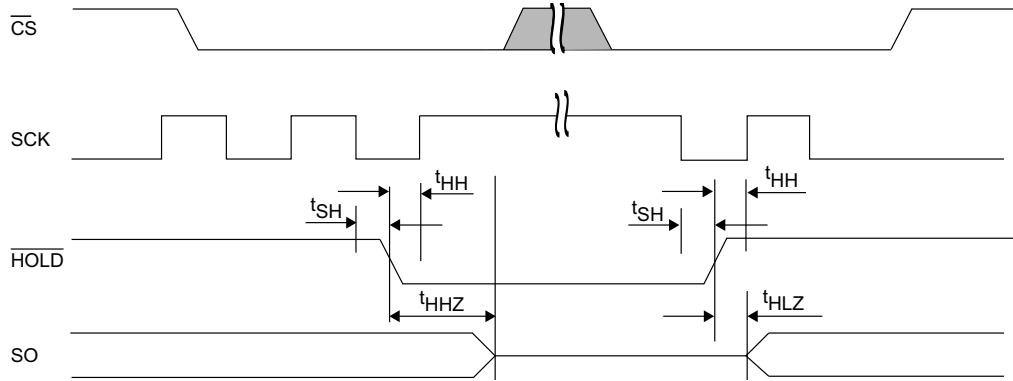


Figure 25. HOLD Timing



Not Recommended for New Designs

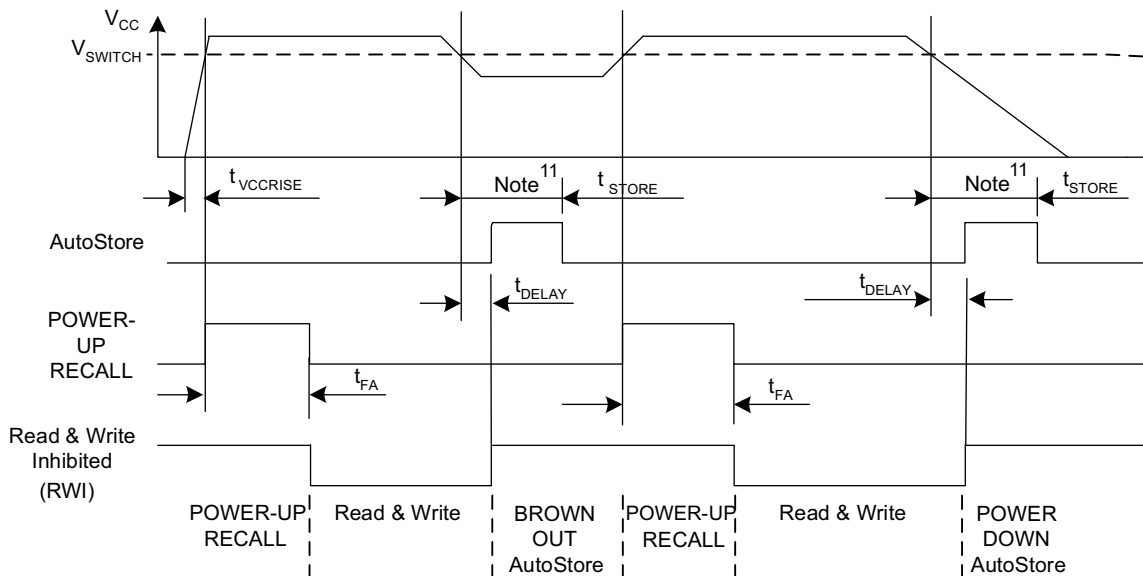
## AutoStore or Power-Up RECALL

Over the [Operating Range](#)

Parameter	Description	CY14MX064Q		Unit	
		Min	Max		
$t_{FA}^{[10]}$	Power-Up RECALL duration	–	20	ms	
$t_{STORE}^{[11]}$	STORE cycle duration	–	8	ms	
$t_{DELAY}^{[12, 13]}$	Time allowed to complete SRAM write cycle	–	25	ns	
$V_{SWITCH}$	Low voltage trigger level	CY14MB064Q	–	2.65	V
		CY14ME064Q	–	4.40	V
$t_{VCCRRISE}^{[13]}$	$V_{CC}$ rise time	150	–	$\mu$ s	
$t_{WAKE}$	Time for nvSRAM to wake up from SLEEP mode	–	20	ms	
$t_{SLEEP}$	Time to enter SLEEP mode after issuing SLEEP instruction	–	8	ms	
$t_{SB}^{[13]}$	Time to enter into standby mode after $\overline{CS}$ going HIGH	–	100	$\mu$ s	

## Switching Waveforms

Figure 26. AutoStore or Power-Up RECALL <sup>[14]</sup>



### Notes

10.  $t_{FA}$  starts from the time  $V_{CC}$  rises above  $V_{SWITCH}$ .
11. If an SRAM write has not taken place since the last nonvolatile cycle, AutoStore is not initiated.
12. On a Software STORE / RECALL, AutoStore Enable / Disable and AutoStore initiation, SRAM operation continues to be enabled for time  $t_{DELAY}$ .
13. These parameters are guaranteed by design and are not tested.
14. Read and Write cycles are ignored during STORE, RECALL, and while  $V_{CC}$  is below  $V_{SWITCH}$ .

## Software Controlled STORE and RECALL Cycles

Over the [Operating Range](#)

Parameter	Description	CY14MX064Q		Unit
		Min	Max	
$t_{\text{RECALL}}$	RECALL duration	–	600	$\mu\text{s}$
$t_{\text{SS}}$ <sup>[15, 16]</sup>	Soft sequence processing time	–	500	$\mu\text{s}$

### Switching Waveforms

Figure 27. Software STORE Cycle <sup>[16]</sup>

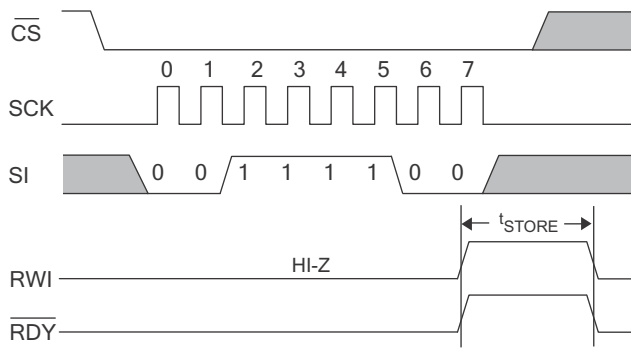


Figure 28. Software RECALL Cycle <sup>[16]</sup>

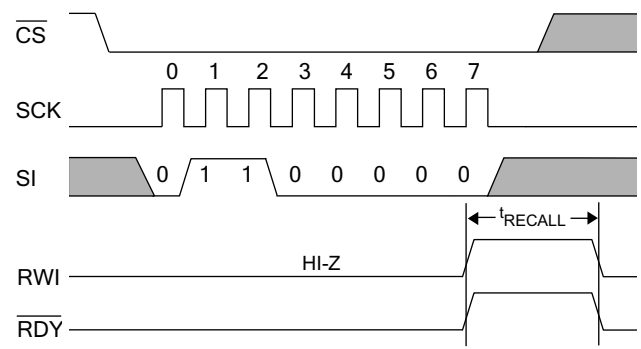


Figure 29. AutoStore Enable Cycle

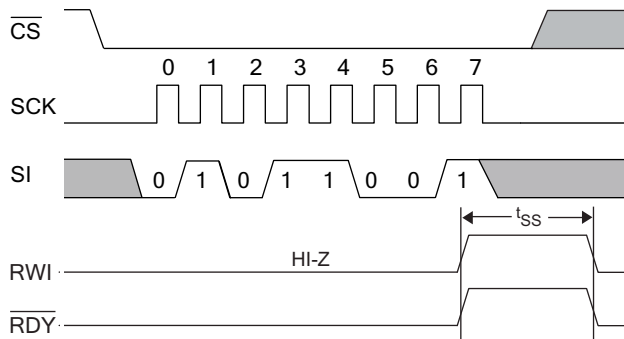
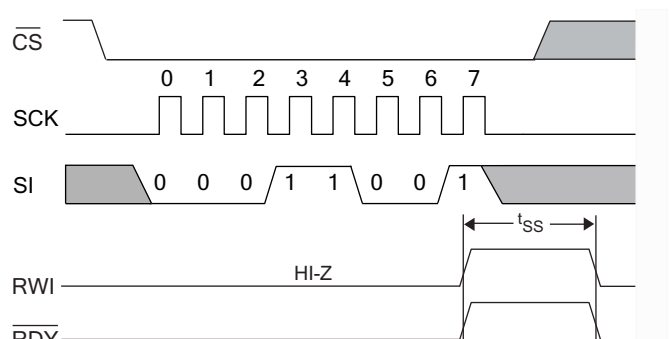


Figure 30. AutoStore Disable Cycle



Not Recommended for New Designs

**Notes**

- 15. This is the amount of time it takes to take action on a soft sequence command. Vcc power must remain HIGH to effectively register command.
- 16. Commands such as STORE and RECALL lock out I/O until operation is complete which further increases this time. See the specific command.

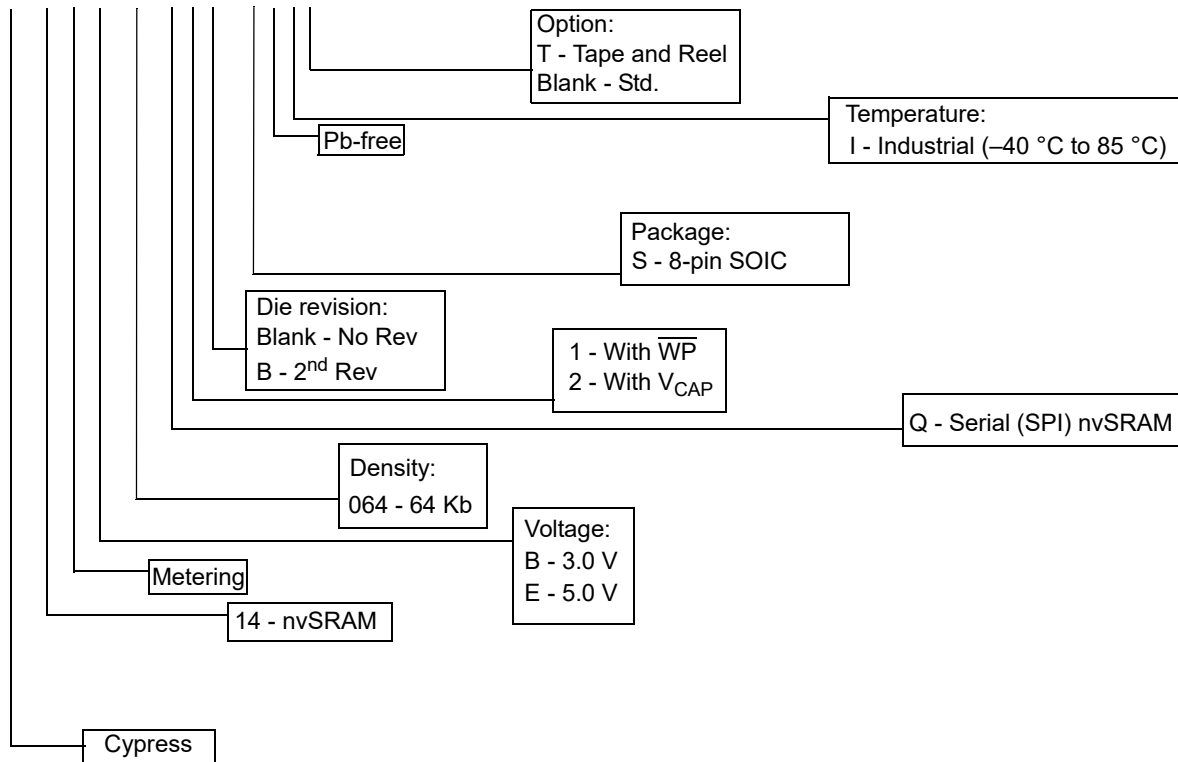
### Ordering Information

Ordering Code	Package Diagram	Package Type	Operating Range
CY14MB064Q2B-SXI	51-85066	8-pin SOIC (with V <sub>CAP</sub> )	Industrial
CY14MB064Q2B-SXIT		8-pin SOIC (with V <sub>CAP</sub> )	

The above part is Pb-free. This table contains final information. Contact your local Cypress sales representative for availability of these parts.

### Ordering Code Definitions

**CY 14 M B 064 Q 2 B - S X I T**



Not Recommended for New Designs





## Acronyms

Acronym	Description
CPHA	Clock Phase
CPOL	Clock Polarity
CMOS	Complementary Metal Oxide Semiconductor
CRC	Cyclic Redundancy Check
EEPROM	Electrically Erasable Programmable Read-Only Memory
EIA	Electronic Industries Alliance
I/O	Input/Output
JEDEC	Joint Electron Devices Engineering Council
LSB	Least Significant Bit
MSB	Most Significant Bit
nvSRAM	nonvolatile Static Random Access Memory
RWI	Read and Write Inhibit
RoHS	Restriction of Hazardous Substances
SNL	Serial Number Lock
SPI	Serial Peripheral Interface
SONOS	Silicon-Oxide-Nitride-Oxide Semiconductor
SOIC	Small Outline Integrated Circuit
SRAM	Static Random Access Memory

## Document Conventions

### Units of Measure

Symbol	Unit of Measure
°C	degree Celsius
Hz	hertz
kHz	kilohertz
kΩ	kilohm
MHz	megahertz
μA	microampere
mA	milliampere
μF	microfarad
μs	microsecond
ms	millisecond
ns	nanosecond
Ω	ohm
%	percent
pF	picofarad
V	volt
W	watt

## Document History Page

Document Title: CY14MB064Q1B/CY14MB064Q2B/CY14ME064Q1B/CY14ME064Q2B, 64-Kbit (8K × 8) SPI nvSRAM				
Document Number: 001-70382				
Rev.	ECN No.	Orig. of Change	Submission Date	Description of Change
**	3291153	GVCH	06/23/2011	New data sheet.
*A	3403128	GVCH	10/12/2011	Updated <a href="#">SPI Operating Features</a> : Updated <a href="#">Power-Up</a> : Updated description. Updated <a href="#">SPI Functional Description</a> : Updated <a href="#">Table 2</a> . Updated <a href="#">Special Instructions</a> : Updated <a href="#">SLEEP Instruction</a> : Updated description. Updated <a href="#">Figure 18</a> .
*B	3514367	GVCH	02/01/2012	Removed Best Practices. Updated <a href="#">Ordering Information</a> : Updated part numbers.
*C	3539393	GVCH	03/16/2012	Updated <a href="#">AutoStore or Power-Up RECALL</a> : Referred Note 13 in $t_{SB}$ parameter.
*D	3605955	GVCH	05/02/2012	No technical updates.
*E	3702613	GVCH	08/03/2012	Updated <a href="#">DC Electrical Characteristics</a> : Added $V_{V_{CAP}}$ parameter and its details. Added Note 5 and referred the same note in $V_{V_{CAP}}$ parameter. Referred Note 6 in $V_{V_{CAP}}$ parameter.
*F	3759535	GVCH	09/28/2012	Updated <a href="#">Maximum Ratings</a> : Removed "Ambient temperature with power applied" and its corresponding details. Added "Maximum junction temperature" and its corresponding details.
*G	3823702	GVCH	11/28/2012	Changed status from Preliminary to Final. Updated <a href="#">Ordering Information</a> : Updated part numbers.
*H	3988751	GVCH	05/06/2013	Updated <a href="#">Package Diagrams</a> : spec 51-85066 – Changed revision from *E to *F. Completing Sunset Review.
*I	4108522	GVCH	08/29/2013	Added watermark "Not Recommended for New Designs" across the document. Updated to new template.
*J	4568786	GVCH	11/11/2014	Updated <a href="#">Functional Description</a> : Added "For a complete list of related documentation, click <a href="#">here</a> ." at the end. Updated <a href="#">Ordering Information</a> : Updated part numbers.
*K	6276095	GVCH	08/08/2018	Removed watermark "Not Recommended for New Designs" across the document. Updated <a href="#">Ordering Information</a> : Updated part numbers. Updated <a href="#">Package Diagrams</a> : spec 51-85066 – Changed revision from *F to *I. Updated to new template.
*L	6577088	GVCH	05/27/2019	Added watermark "Not Recommended for New Designs" across the document. Updated to new template.

Not Recommended for New Designs

## Sales, Solutions, and Legal Information

### Worldwide Sales and Design Support

Cypress maintains a worldwide network of offices, solution centers, manufacturer's representatives, and distributors. To find the office closest to you, visit us at [Cypress Locations](#).

#### Products

Arm <sup>®</sup> Cortex <sup>®</sup> Microcontrollers	<a href="http://cypress.com/arm">cypress.com/arm</a>
Automotive	<a href="http://cypress.com/automotive">cypress.com/automotive</a>
Clocks & Buffers	<a href="http://cypress.com/clocks">cypress.com/clocks</a>
Interface	<a href="http://cypress.com/interface">cypress.com/interface</a>
Internet of Things	<a href="http://cypress.com/iot">cypress.com/iot</a>
Memory	<a href="http://cypress.com/memory">cypress.com/memory</a>
Microcontrollers	<a href="http://cypress.com/mcu">cypress.com/mcu</a>
PSoC	<a href="http://cypress.com/psoc">cypress.com/psoc</a>
Power Management ICs	<a href="http://cypress.com/pmhc">cypress.com/pmhc</a>
Touch Sensing	<a href="http://cypress.com/touch">cypress.com/touch</a>
USB Controllers	<a href="http://cypress.com/usb">cypress.com/usb</a>
Wireless Connectivity	<a href="http://cypress.com/wireless">cypress.com/wireless</a>

#### PSoC<sup>®</sup> Solutions

[PSoC 1](#) | [PSoC 3](#) | [PSoC 4](#) | [PSoC 5LP](#) | [PSoC 6 MCU](#)

#### Cypress Developer Community

[Community](#) | [Projects](#) | [Video](#) | [Blogs](#) | [Training](#) | [Components](#)

#### Technical Support

[cypress.com/support](http://cypress.com/support)

© Cypress Semiconductor Corporation, 2011–2019. This document is the property of Cypress Semiconductor Corporation and its subsidiaries ("Cypress"). This document, including any software or firmware included or referenced in this document ("Software"), is owned by Cypress under the intellectual property laws and treaties of the United States and other countries worldwide. Cypress reserves all rights under such laws and treaties and does not, except as specifically stated in this paragraph, grant any license under its patents, copyrights, trademarks, or other intellectual property rights. If the Software is not accompanied by a license agreement and you do not otherwise have a written agreement with Cypress governing the use of the Software, then Cypress hereby grants you a personal, non-exclusive, nontransferable license (without the right to sublicense) (1) under its copyright rights in the Software (a) for Software provided in source code form, to modify and reproduce the Software solely for use with Cypress hardware products, only internally within your organization, and (b) to distribute the Software in binary code form externally to end users (either directly or indirectly through resellers and distributors), solely for use on Cypress hardware product units, and (2) under those claims of Cypress's patents that are infringed by the Software (as provided by Cypress, unmodified) to make, use, distribute, and import the Software solely for use with Cypress hardware products. Any other use, reproduction, modification, translation, or compilation of the Software is prohibited.

TO THE EXTENT PERMITTED BY APPLICABLE LAW, CYPRESS MAKES NO WARRANTY OF ANY KIND, EXPRESS OR IMPLIED, WITH REGARD TO THIS DOCUMENT OR ANY SOFTWARE OR ACCOMPANYING HARDWARE, INCLUDING, BUT NOT LIMITED TO, THE IMPLIED WARRANTIES OF MERCHANTABILITY AND FITNESS FOR A PARTICULAR PURPOSE. No computing device can be absolutely secure. Therefore, despite security measures implemented in Cypress hardware or software products, Cypress shall have no liability arising out of any security breach, such as unauthorized access to or use of a Cypress product. CYPRESS DOES NOT REPRESENT, WARRANT, OR GUARANTEE THAT CYPRESS PRODUCTS, OR SYSTEMS CREATED USING CYPRESS PRODUCTS, WILL BE FREE FROM CORRUPTION, ATTACK, VIRUSES, INTERFERENCE, HACKING, DATA LOSS OR THEFT, OR OTHER SECURITY INTRUSION (collectively, "Security Breach"). Cypress disclaims any liability relating to any Security Breach, and you shall and hereby do release Cypress from any claim, damage, or other liability arising from any Security Breach. In addition, the products described in these materials may contain design defects or errors known as errata which may cause the product to deviate from published specifications. To the extent permitted by applicable law, Cypress reserves the right to make changes to this document without further notice. Cypress does not assume any liability arising out of the application or use of any product or circuit described in this document. Any information provided in this document, including any sample design information or programming code, is provided only for reference purposes. It is the responsibility of the user of this document to properly design, program, and test the functionality and safety of any application made of this information and any resulting product. "High-Risk Device" means any device or system whose failure could cause personal injury, death, or property damage. Examples of High-Risk Devices are weapons, nuclear installations, surgical implants, and other medical devices. "Critical Component" means any component of a High-Risk Device whose failure to perform can be reasonably expected to cause, directly or indirectly, the failure of the High-Risk Device, or to affect its safety or effectiveness. Cypress is not liable, in whole or in part, and you shall and hereby do release Cypress from any claim, damage, or other liability arising from any use of a Cypress product as a Critical Component in a High-Risk Device. You shall indemnify and hold Cypress, its directors, officers, employees, agents, affiliates, distributors, and assigns harmless from and against all claims, costs, damages, and expenses, arising out of any claim, including claims for product liability, personal injury or death, or property damage arising from any use of a Cypress product as a Critical Component in a High-Risk Device. Cypress products are not intended or authorized for use as a Critical Component in any High-Risk Device except to the limited extent that (i) Cypress's published data sheet for the product explicitly states Cypress has qualified the product for use in a specific High-Risk Device, or (ii) Cypress has given you advance written authorization to use the product as a Critical Component in the specific High-Risk Device and you have signed a separate indemnification agreement.

Cypress, the Cypress logo, Spansion, the Spansion logo, and combinations thereof, WICED, PSoC, CapSense, EZ-USB, F-RAM, and Traveo are trademarks or registered trademarks of Cypress in the United States and other countries. For a more complete list of Cypress trademarks, visit [cypress.com](http://cypress.com). Other names and brands may be claimed as property of their respective owners.